
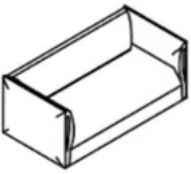
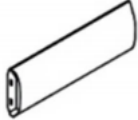
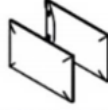
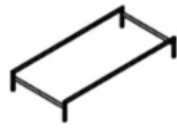
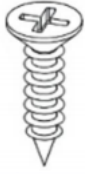


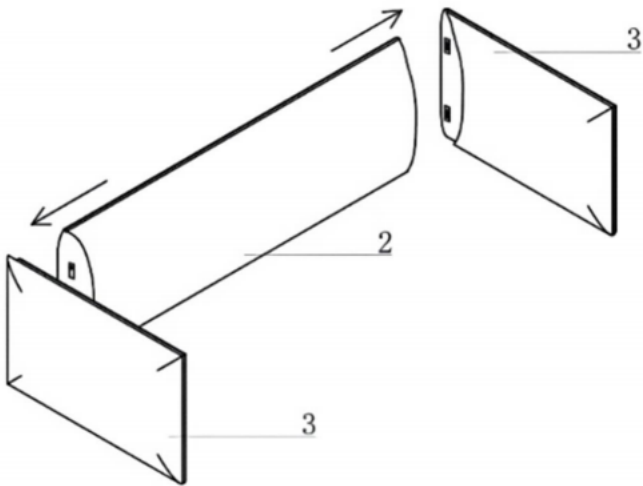
# ASSEMBLY INSTRUCTIONS

VL-1/VL-2/VL-3

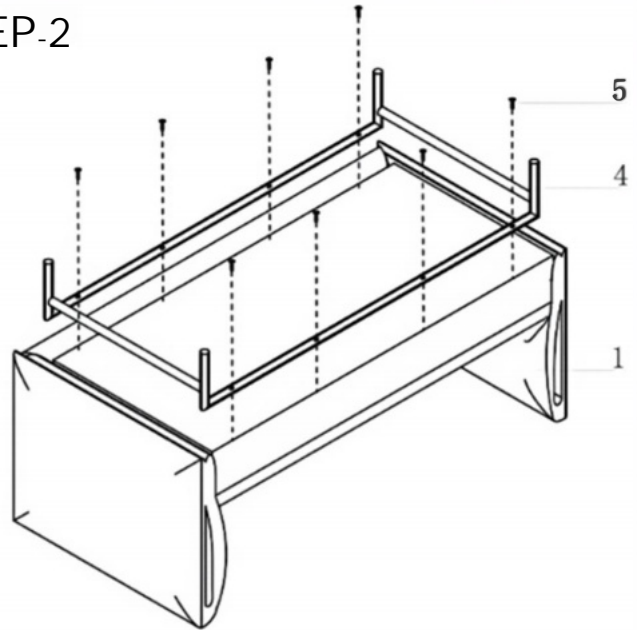
rapidline

	<b>Cushion</b> 1  1PC	<b>Backrest</b> 2  1PC	<b>Armrest</b> 3  2 PCS	<b>Chair foot</b> 4  1PC	<b>Screw</b> 5  8 PCS
--	--	---	--	---	--

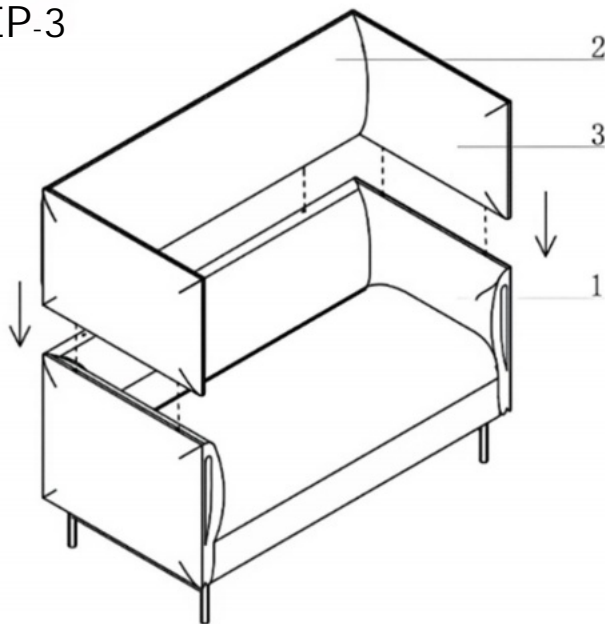
## STEP-1



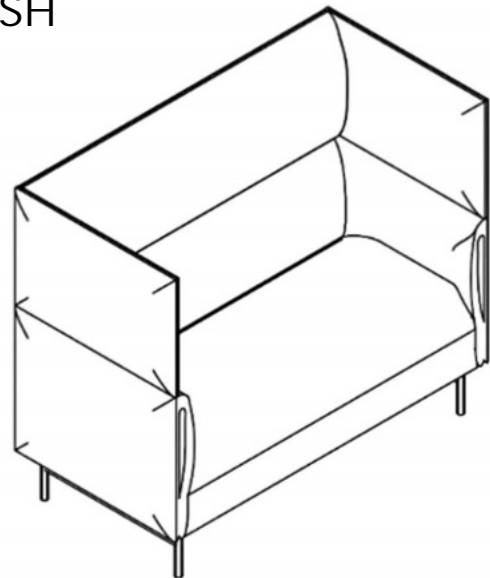
## STEP-2



## STEP-3



## FINISH



### IMPORTANT NOTE:

- Place all laminated parts on a clean and smooth surface such as a rug or carpet to avoid the parts from being scratched.
- Check to be sure that you have all parts and hardware.
- Remove all wrapping materials, including staples & packing straps before you start to assemble.
- Don't tighten all screws/bolts until all completely assembled.
- Keep a hardware parts out of reach of children

