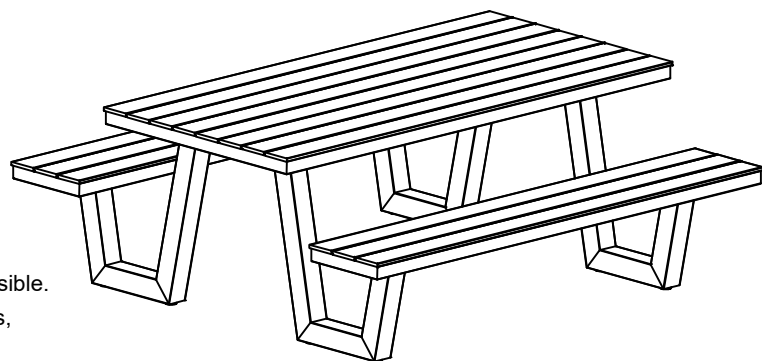


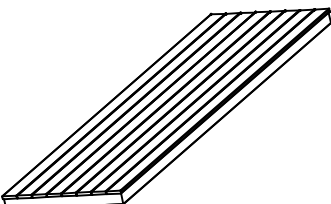
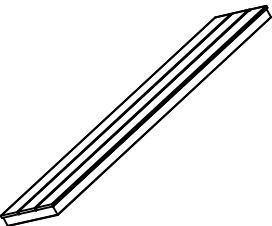
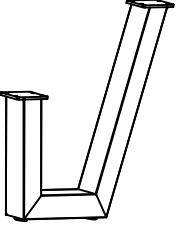




Assembly Instructions

Wave-Shape Aluminium Picnic Table

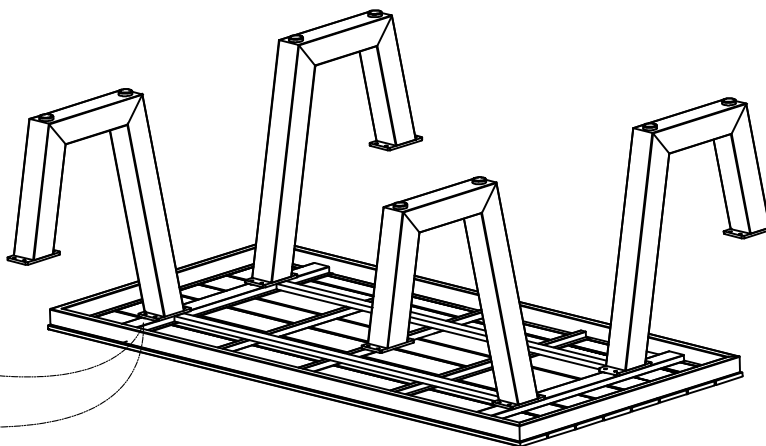
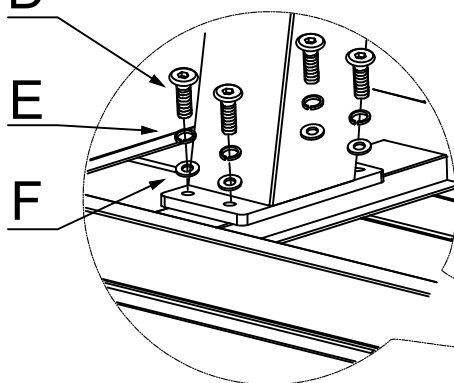


Before assembly please check you have all parts listed below.
 PLEASE NOTE: We've tried to make this table as easy to assemble as possible.
 In the unlikely event you have problems putting it together or missing pieces,
 please contact us.

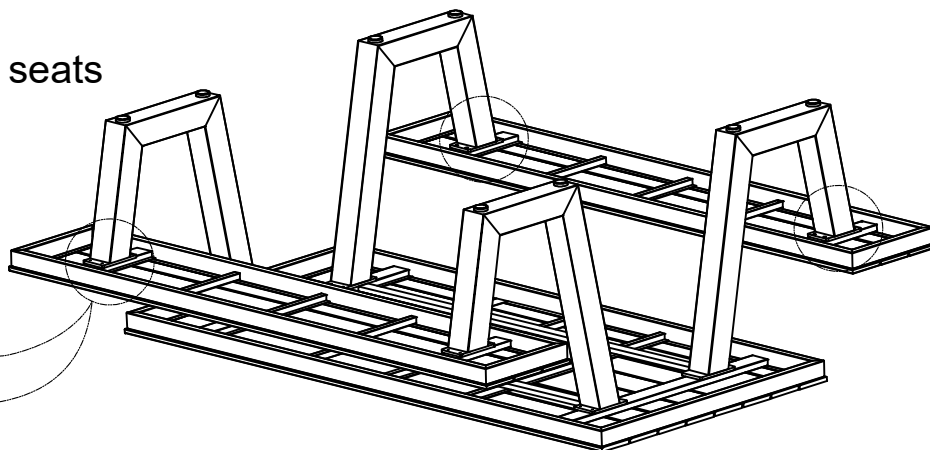
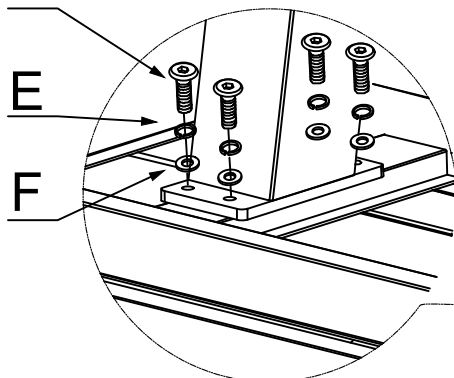
PARTS LIST

A table top  x 1	B bench seat  x 2	C legs  x 4	D (m6x20 screw)  x 32 + 3	F  x 32
			E  x 32	G allen key  x 1

Step 1: Attach table top



Step 2: Attach bench seats



Please recycle these instructions