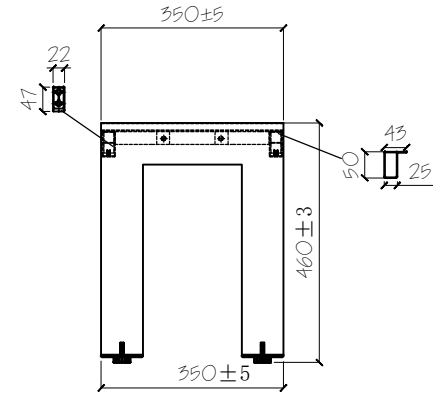
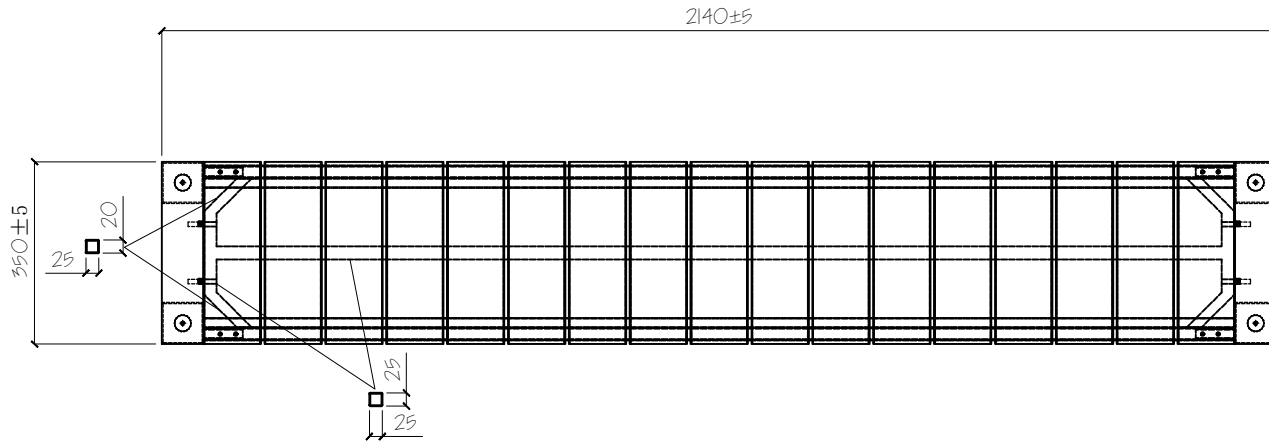


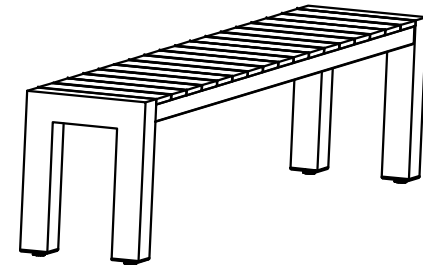
TOP VIEW



FRONT VIEW



SIDE VIEW



Unit: mm