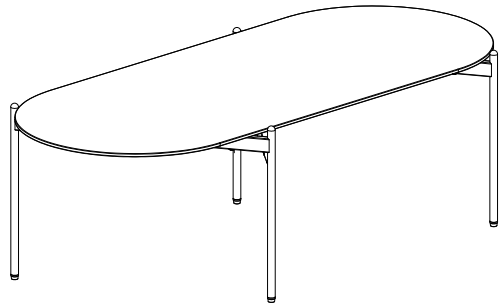
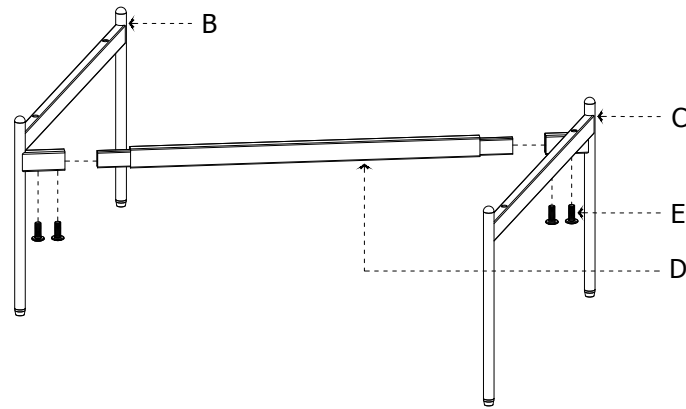


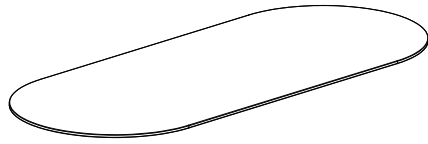
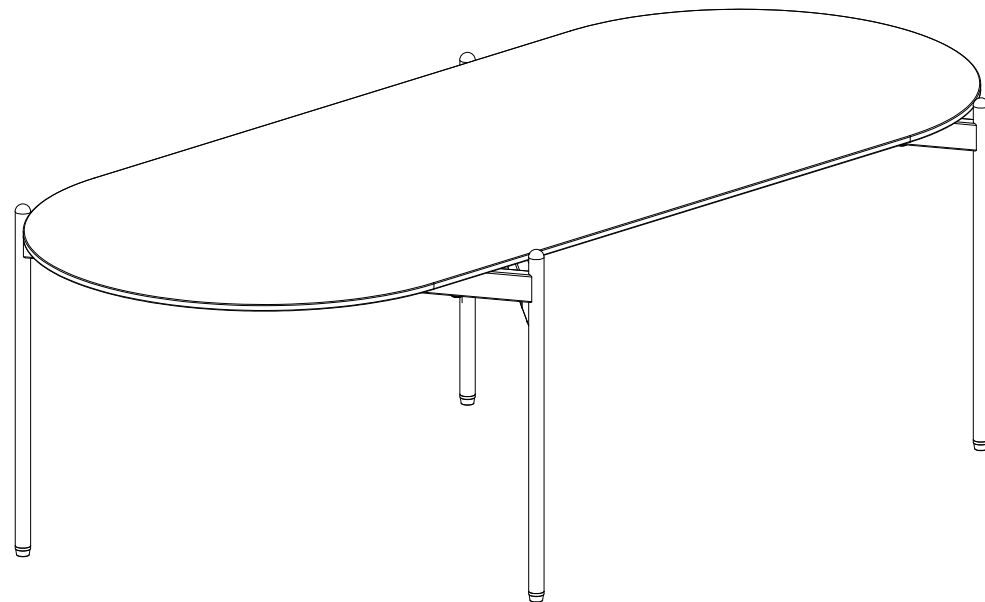
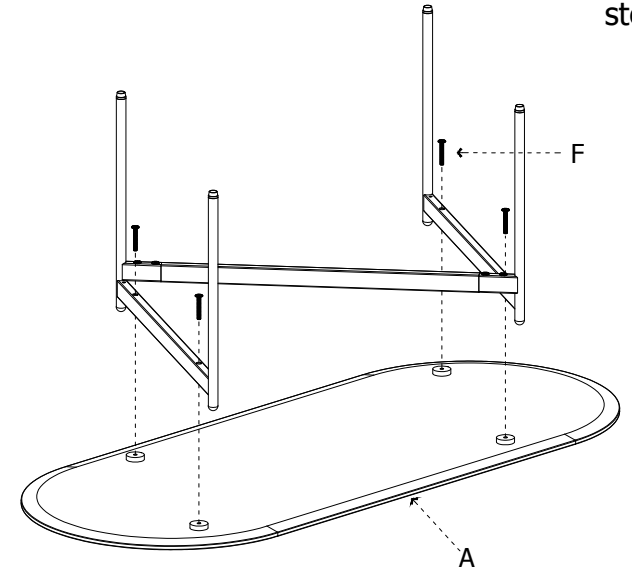
# Assembly Instructions



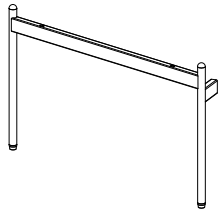
step1



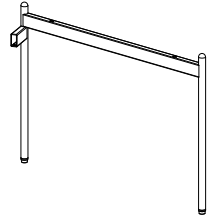
step2



A 1 PC



B 1 PC



C 1 PC



D 1 PC



E M6\*16mm 4 PCS



F M6\*35mm 4 PCS



G N4 1 PC