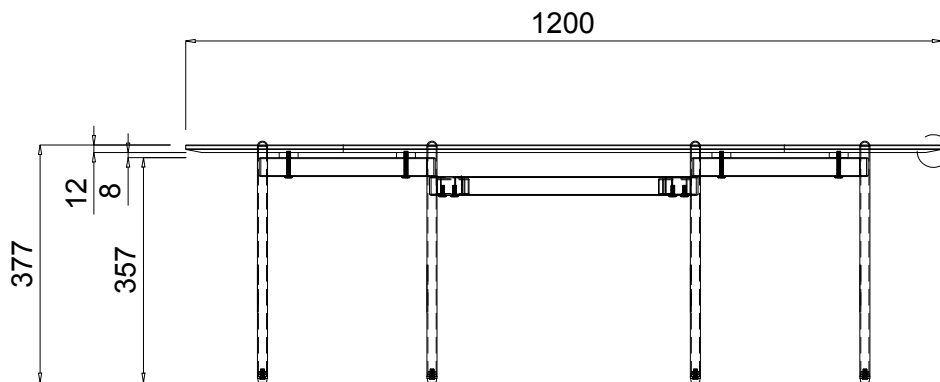
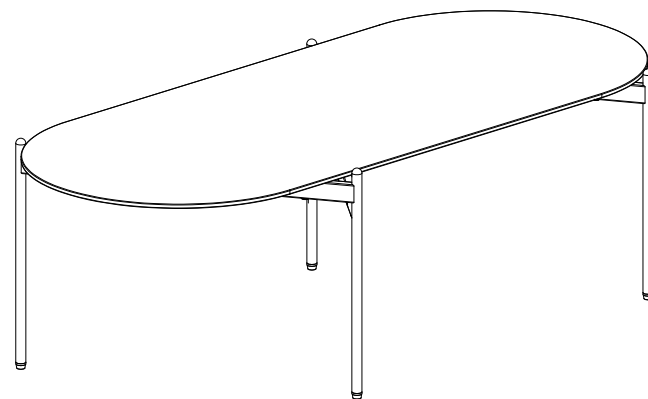
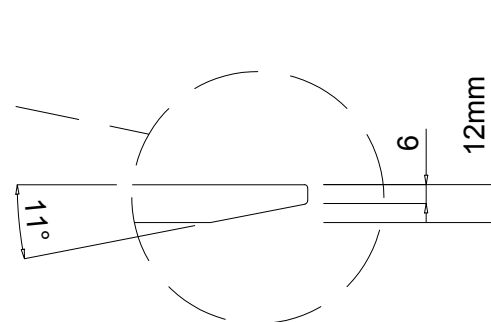


TOP VIEW



FRONT VIEW



Unit: mm