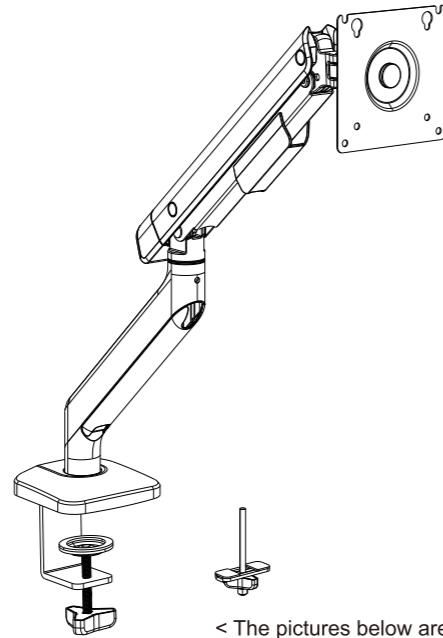


FRONT SIZE : 420mmx297mm



# LINSMA1

## Installation guide

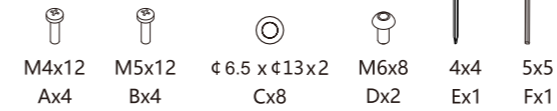


< The pictures below are for reference only, please refer to the actual product. >  
Please read this product manual carefully before use, and keep it properly.

### Product List

### Accessory List

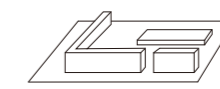
Note: The line drawings below are for reference only and may differ slightly from the physical product in some cases. Please refer to the actual product for accuracy. If any tools are missing or there are problems with installation, please contact customer service.



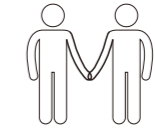
### Part List

No.	Part	No.	Part
①	Upper arm x1	⑨	Long screw x1
②	Lower arm x1	⑩	Knob I x 1
③	Base cover x1	⑪	Knob II x 1
④	Base x1	⑫	Long screw II x1
⑤	Base pad x3	⑬	Nut x1
⑥	Base bracket x1	⑭	Mat II x2
⑦	Mat I x1	⑮	Pressure plate x1
⑧	Cover plate x1		

### Preparation before installation



Install on carpet to prevent scratches.

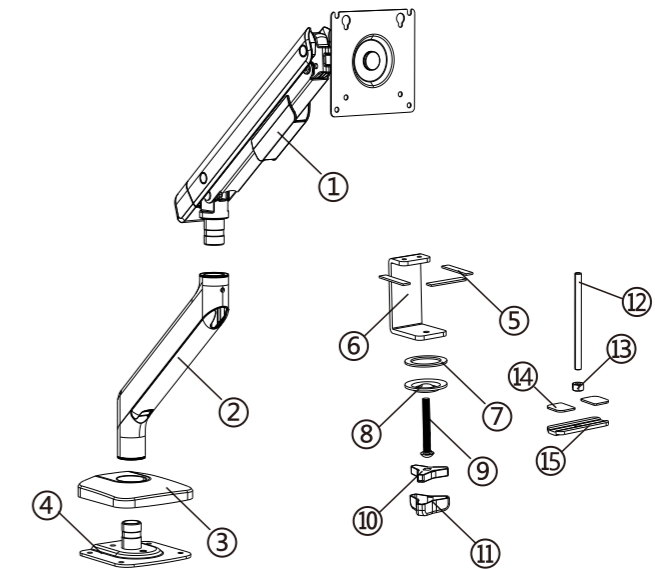


Need two or more people to cooperate together.



Need two or more people to cooperate together.

### Installation Instruction



### Instructions for Use

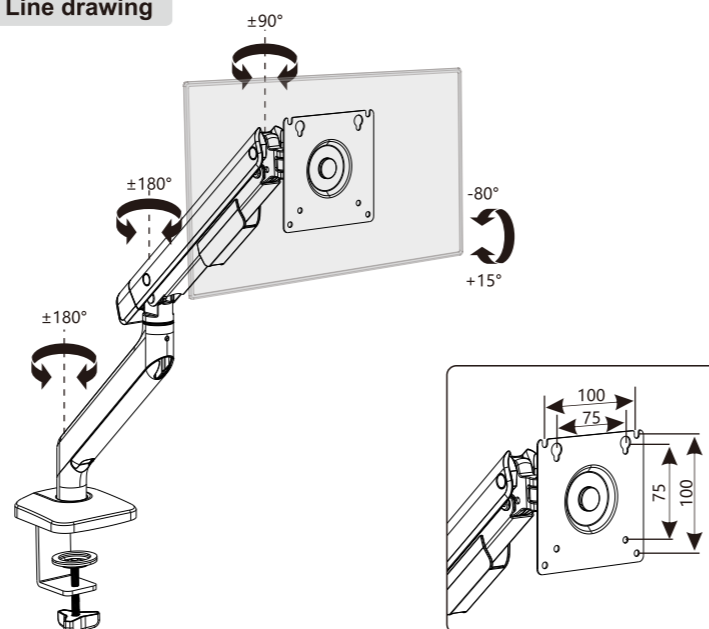
#### Main Materials Used

Main Materials Used	Application Area
Carbon Steel	Upper arm lower cover, panel, spring, clamping sheet metal.
Aluminum Material	Upper Arm Cover, Lower Arm, Swivel Base, Base, Head Rest Base
Plastic	Decorative Cover, Shaft Sleeve, Washer, Wire Clip
Powder Coating	Upper Arm, Lower Arm, Swivel Base, Base, Head Rest Base, Panel, Clamping Sheet Metal

### Technical Data

Monitor applicable size	17"~35"(Flat Screen)
Load range	2~9kg
Vertical adjustment angle	-80°~+15°
Compatible hole dimensions	75mmx75mm or 100mmx100mm

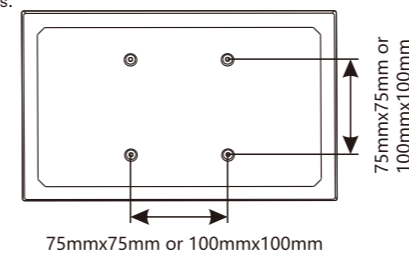
#### Line drawing



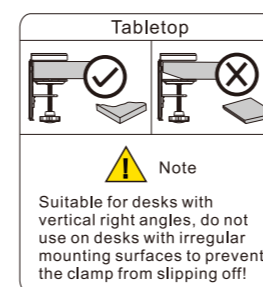
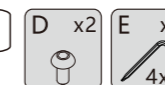
### Installation Steps

#### STEP1 Monitor installation preparation

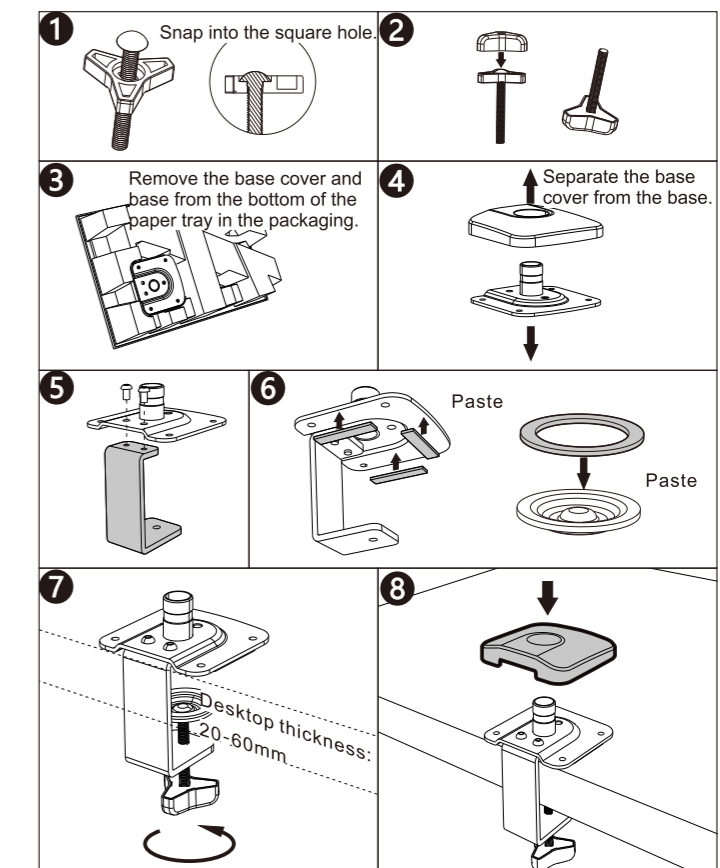
1. Check if the installed monitor has installation holes (with 75x75 or 100x100). If there are no installation holes, the stand cannot be installed. (Note: Some of the display mounting holes are used to install the original fixed base and are detachable.)
2. Remove the original fixed base of the monitor (the method varies depending on the monitor). During the entire removal process, please avoid scratching the monitor panel with hard objects.



#### STEP2-1 Install the Clamping assembly

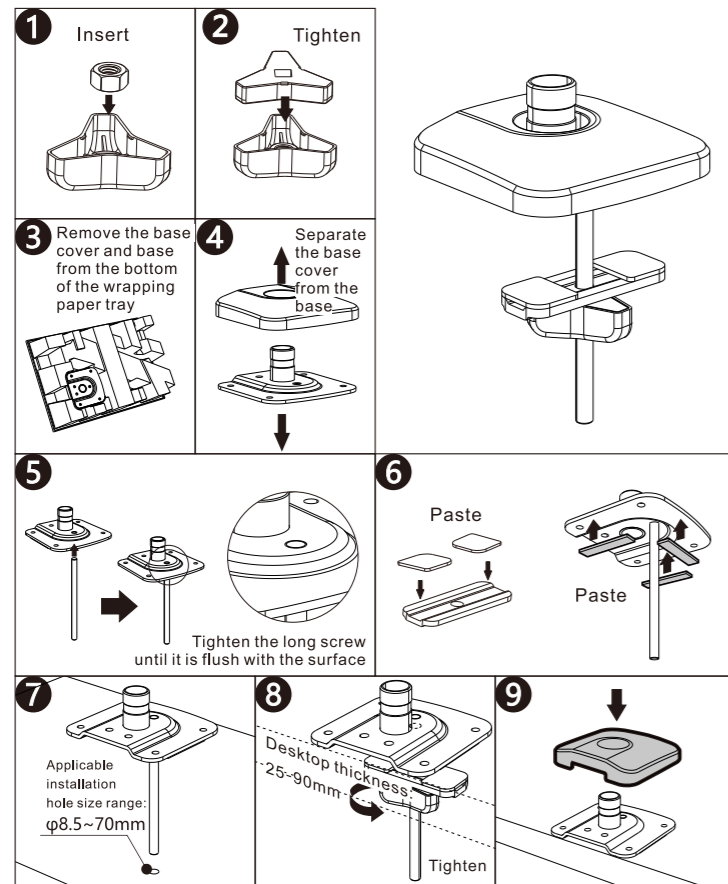


**Note**  
Suitable for desks with vertical right angles, do not use on desks with irregular mounting surfaces to prevent the clamp from slipping off!

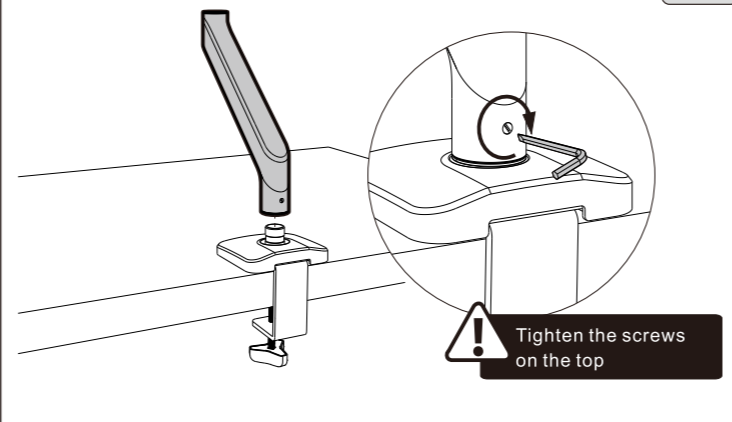


BACK SIZE: 420mmx297mm

**STEP2-2** Install the Perforated assembly

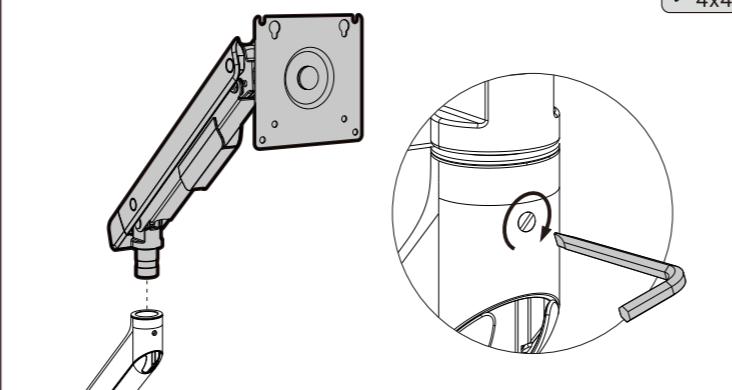


**STEP3** Install the lower arm of the bracket



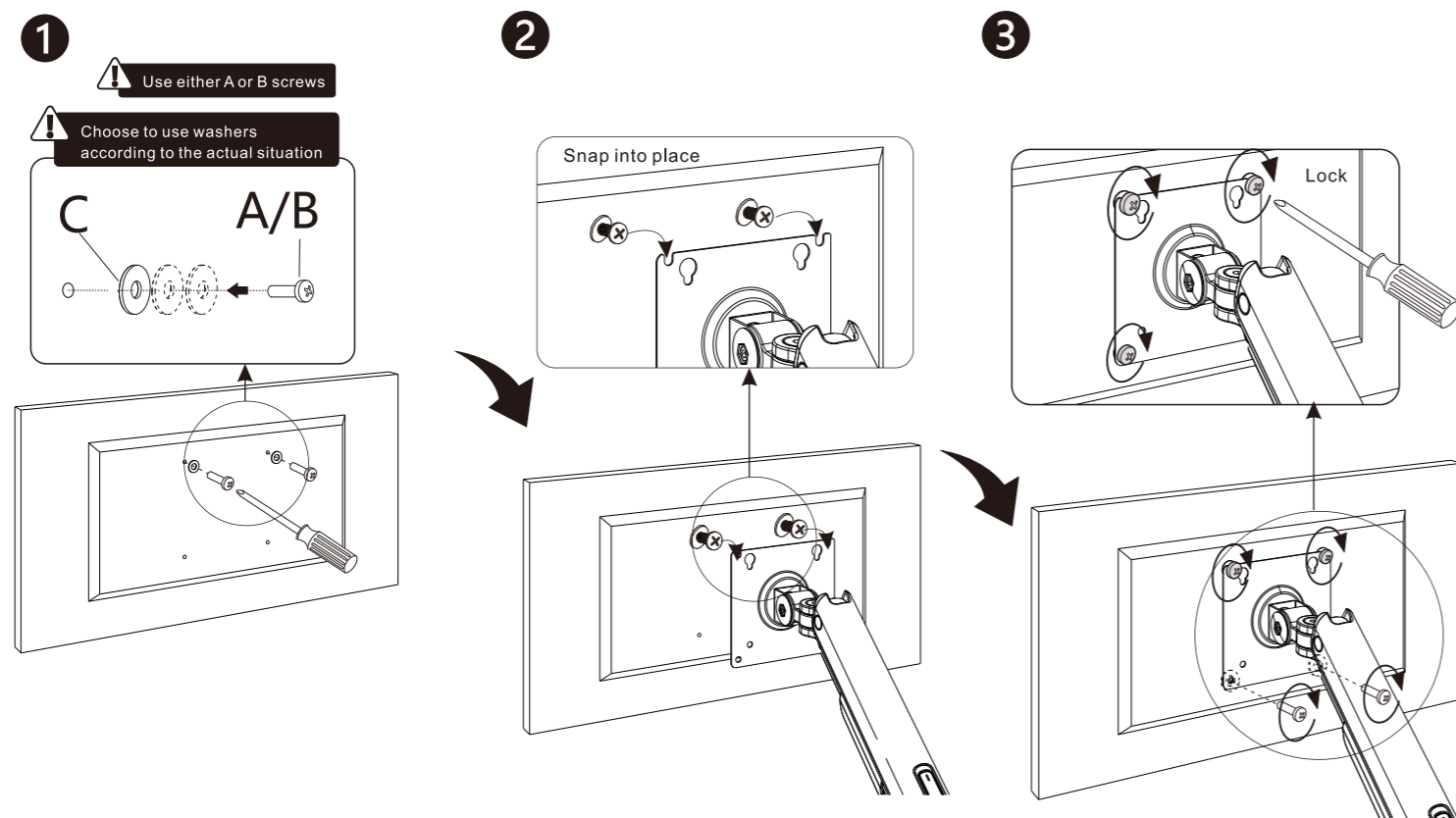
E x1  
4x4

**STEP4** Install the upper arm of the bracket

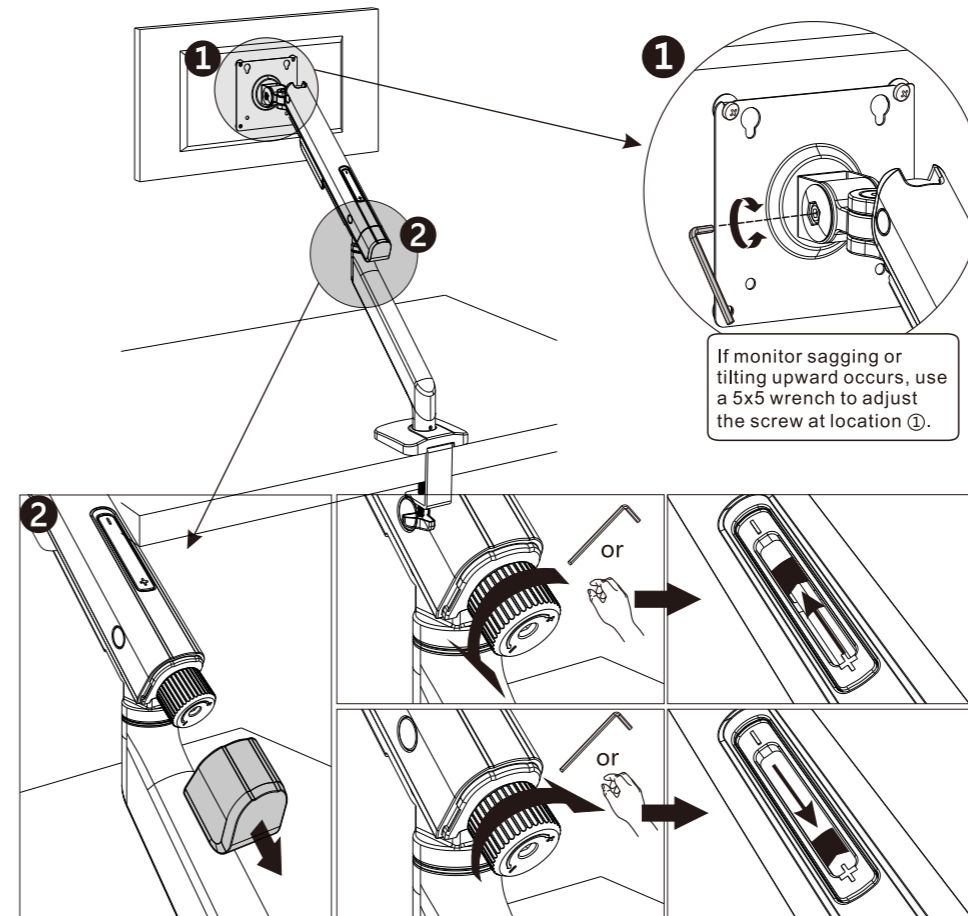


E x1  
4x4

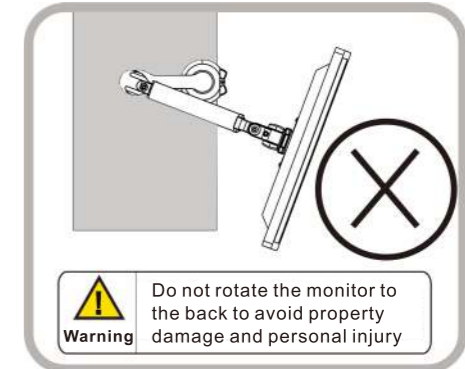
**STEP5** Install the Panel



**STEP6** Adjust the monitor

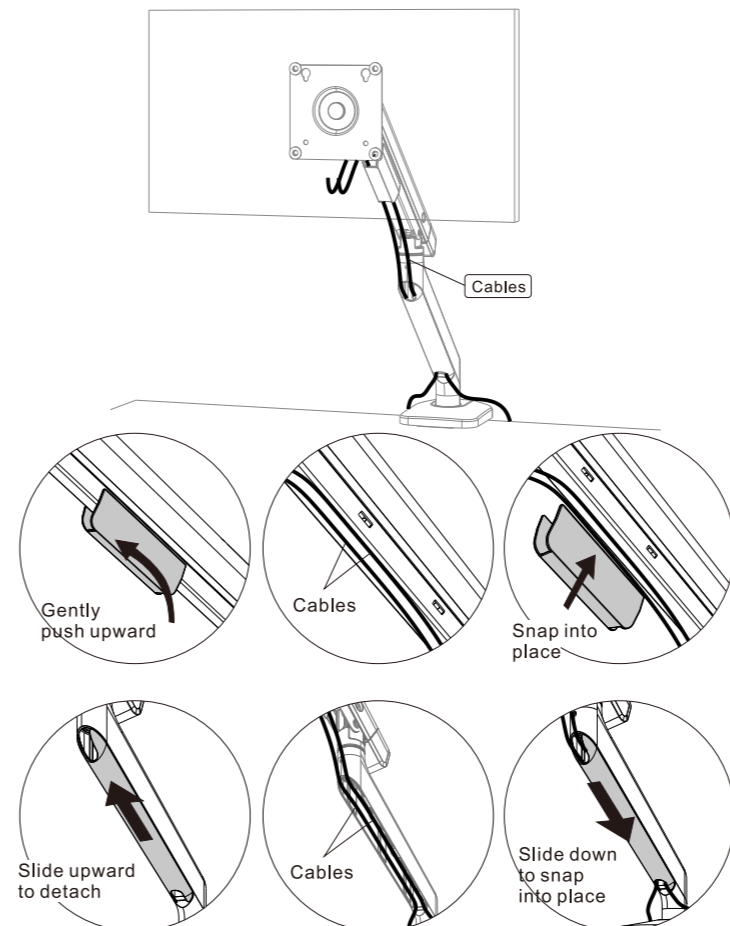


F x1  
5x5



**Warning**  
Factory gas spring preset Weight capacity is 4-6KG  
After installing the monitor, adjust the height of the monitor. If the monitor cannot stop at any height, you need to adjust the adjustment screws behind the arm. (If the monitor moves upwards, choose the adjustment screw in the "-" direction to reduce the bracket's weight-bearing capacity. If the monitor moves downwards, rotate the adjustment screw in the "+" direction to increase the bracket's weight-bearing capacity.) Balance the weight of the bracket and the weight of the monitor to achieve the free stop effect.

**STEP7** Cable Management



**Warning**  
This product contains small items that could be a choking hazard if swallowed. Keep these items away from young children.  
• Make Sure these instructions are read and completely understood before attempting installation. If you are unsure of any part of this installation, please contact a professional installer for assistance.  
• please check joint parts every two months, making sure the screws are loosened or not.  
This product was designed to be installed on desk. Before installing, make sure the mount will support the combined load of the equipment and hardware. Never exceed the maximum load capacity 9 KG, or else it may result in product failure or personal injury.  
**Note:** this product is intended for indoor use only. Use of this product outdoors could lead to product failure or personal injury.

**Waste disposal**  
This marking indicates that this product should not be disposed with other household wastes. To prevent possible harm to the environment or human health from uncontrolled waste disposal, recycle it responsibly to promote the sustainable reuse of material resources. To return your used device, please use the return and collection systems or contact the retailer where the product was purchased. They can take this product for environmental safe recycling.