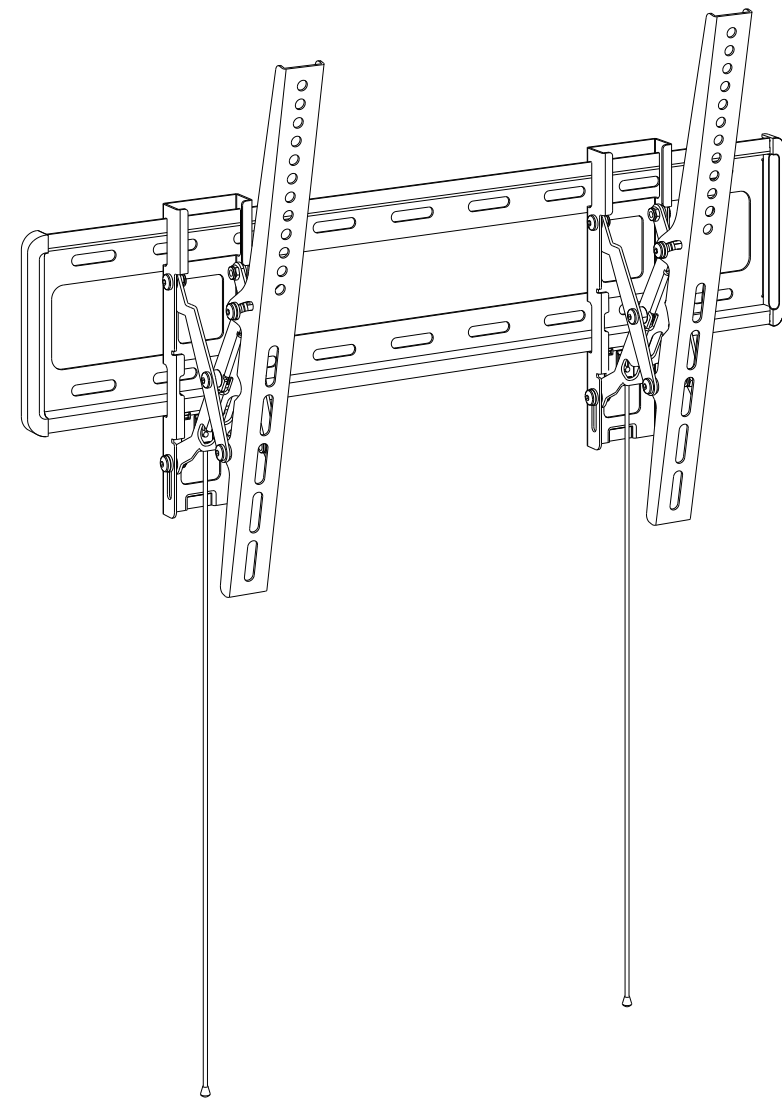
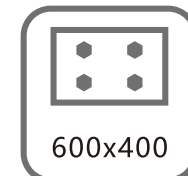


HRZTVM
Installation guide

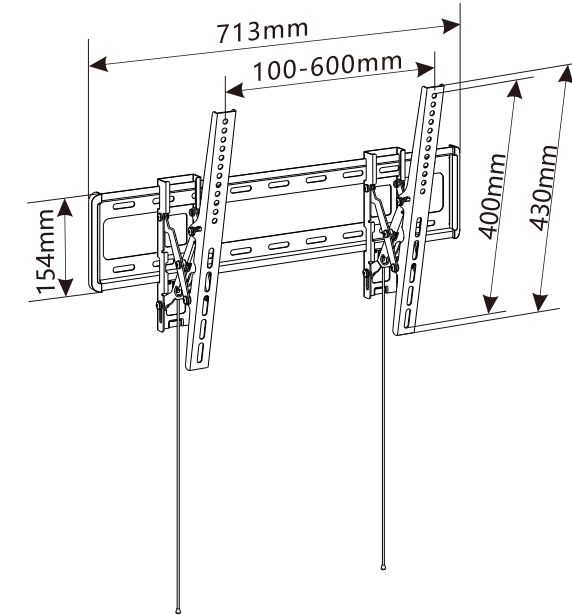


< The pictures below are for reference only, please refer to the actual product. >
Please read this product manual carefully before use, and keep it properly.

Technical Data



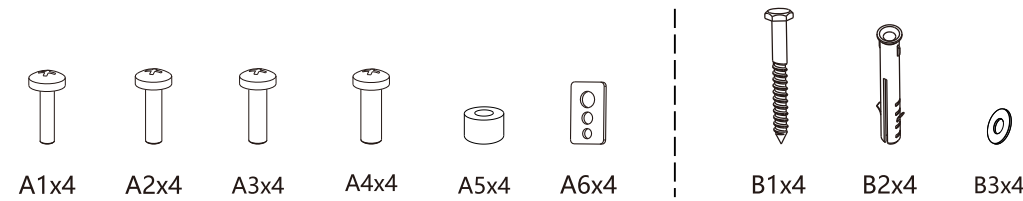
Installation Instruction



Product List

Accessory List

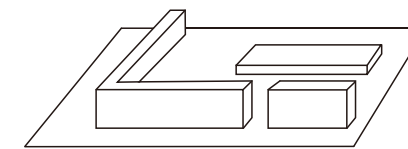
Note: The line drawings below are for reference only and may differ slightly from the physical product in some cases. Please refer to the actual product for accuracy. If any tools are missing or there are problems with installation, please contact customer service.



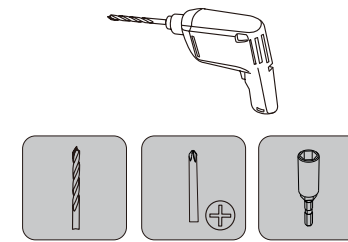
Self-buttoning bag List



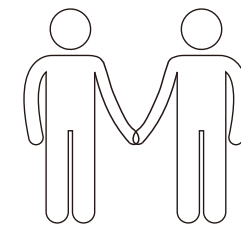
Preparation before installation



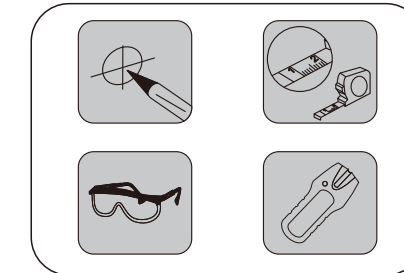
Install on carpet to prevent scratches.



Self-prepared



Need two or more people to cooperate together.

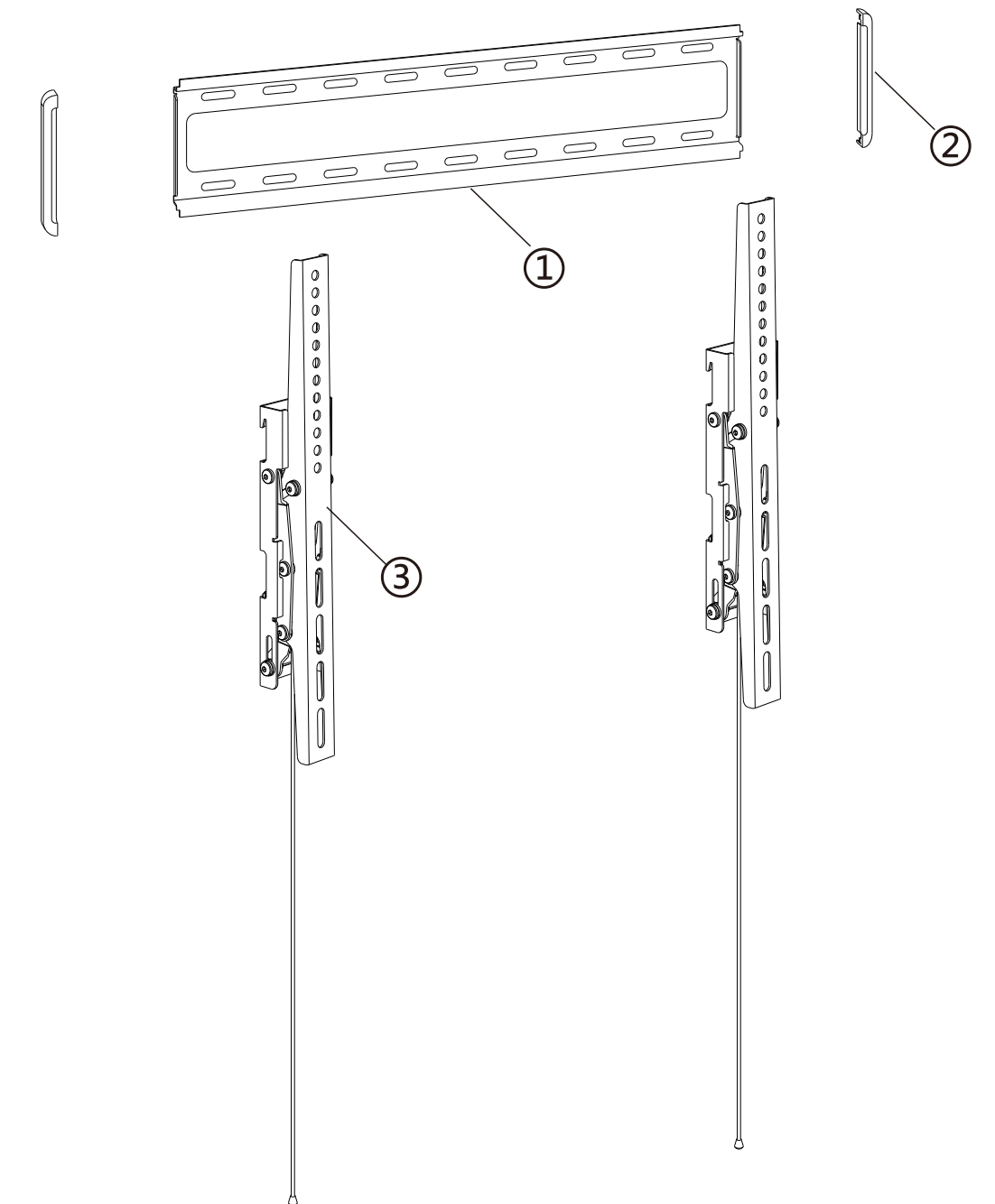


Part List

No.	Part
①	Wallboard x1
②	Side decorative cover x2

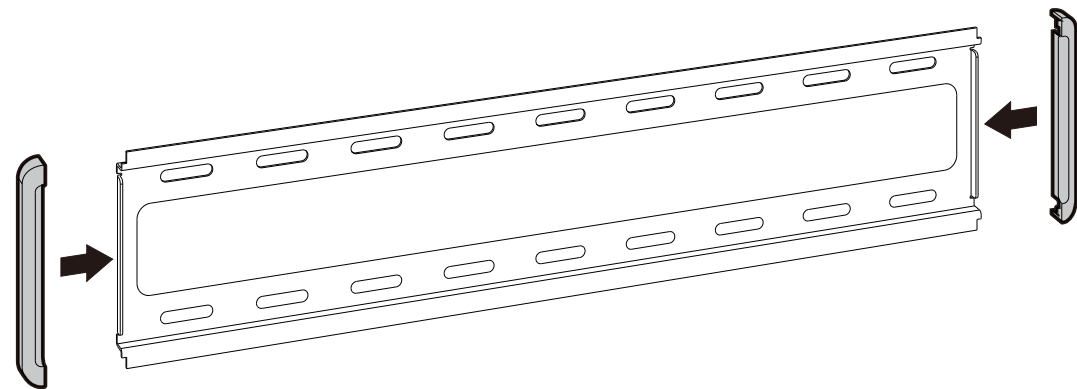
No.	Part
③	Hook assembly x2

Installation Instruction



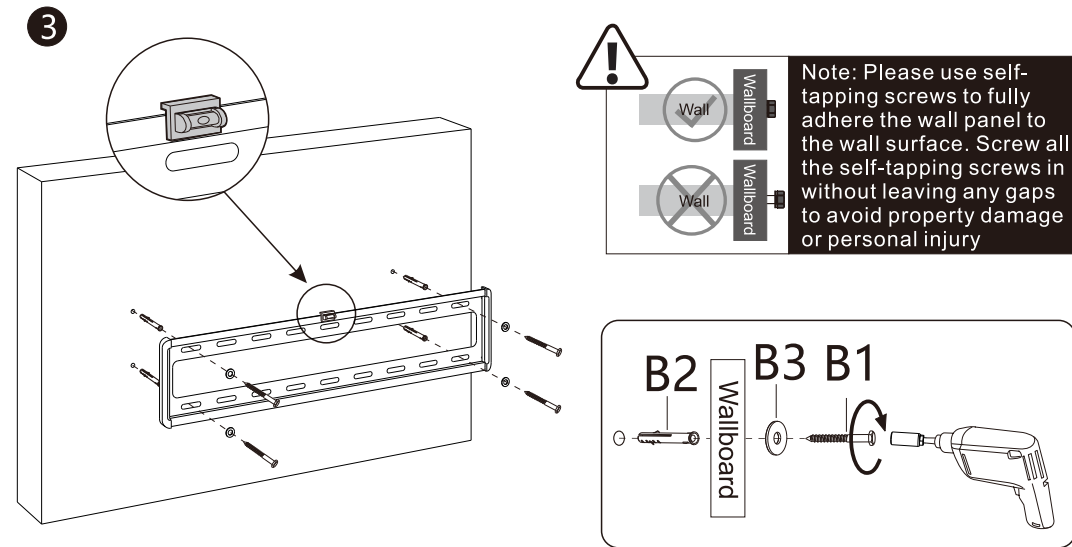
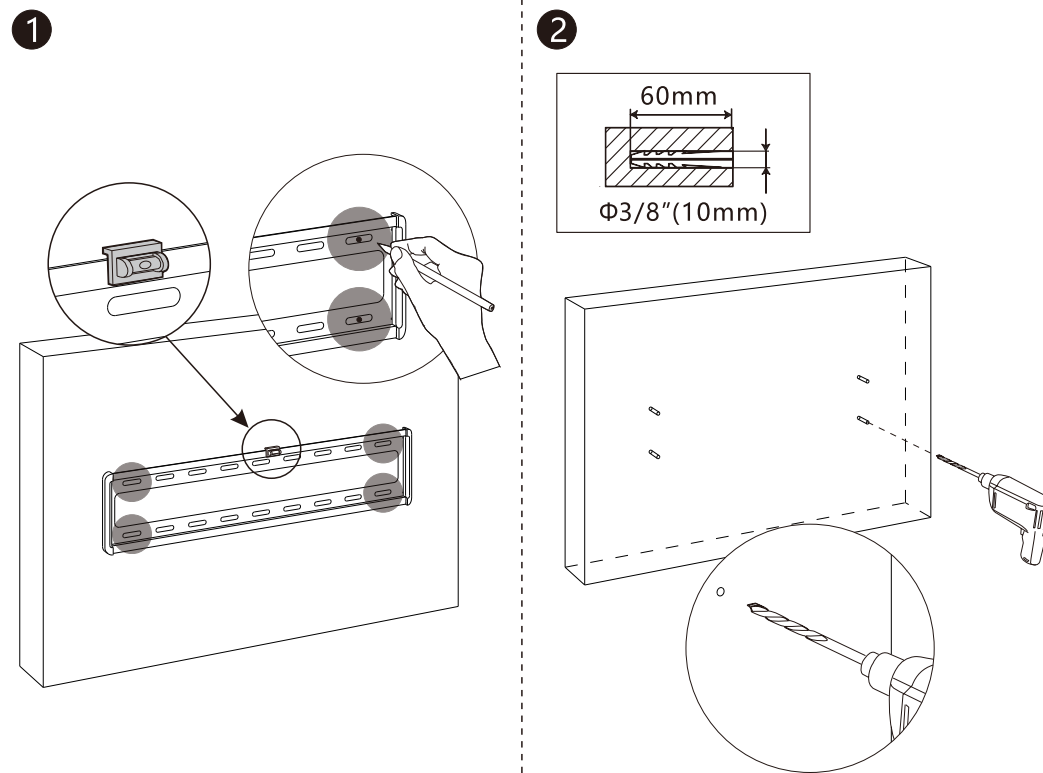
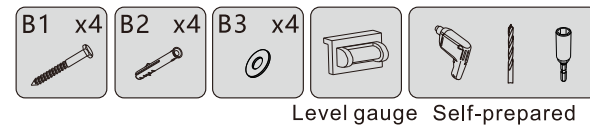
Installation Steps

STEP1 Install the Side decorative cover

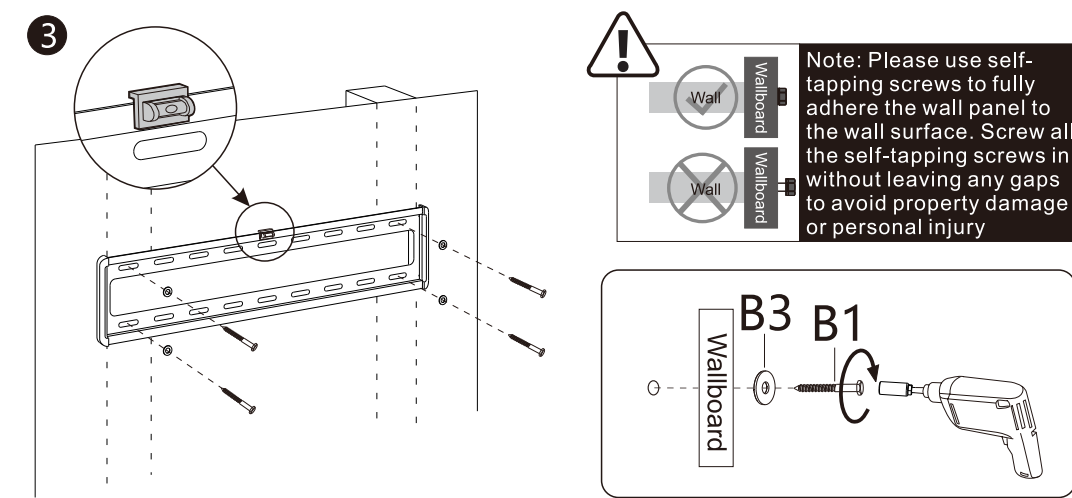
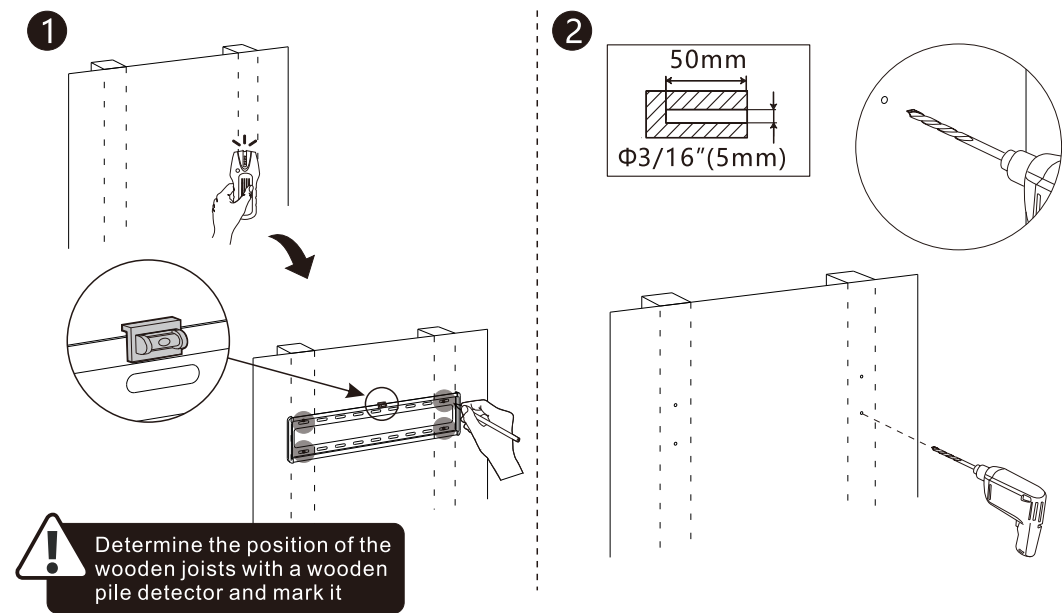
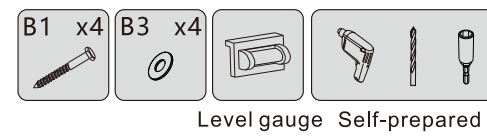


STEP2 Install the Wallboard

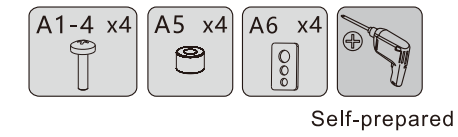
Method 1: Usage scenario for concrete walls



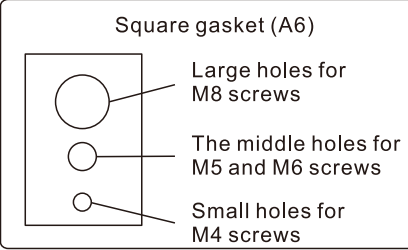
Method 2: Usage scenario for wooden walls



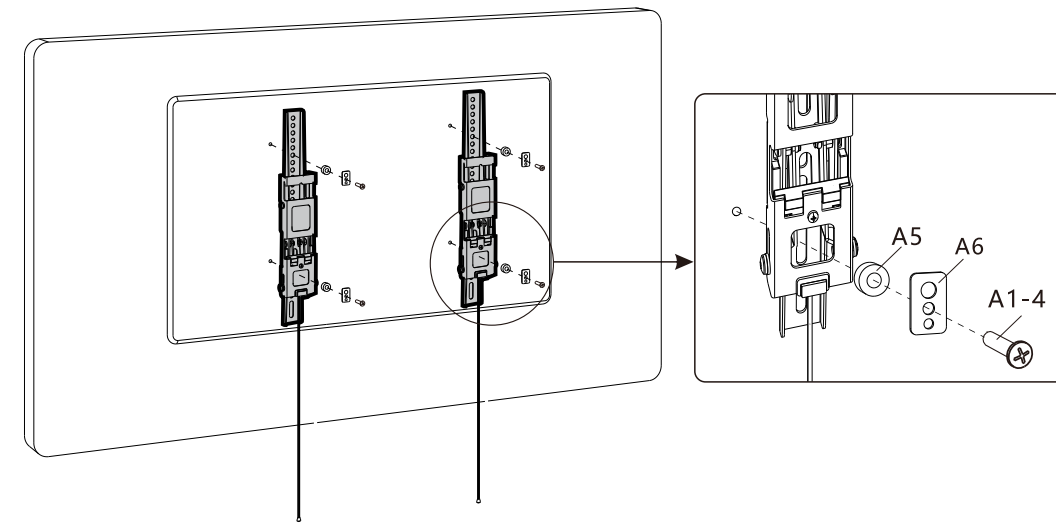
STEP3 Install the hook assembly



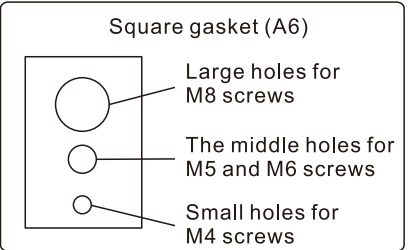
TV with a flat back



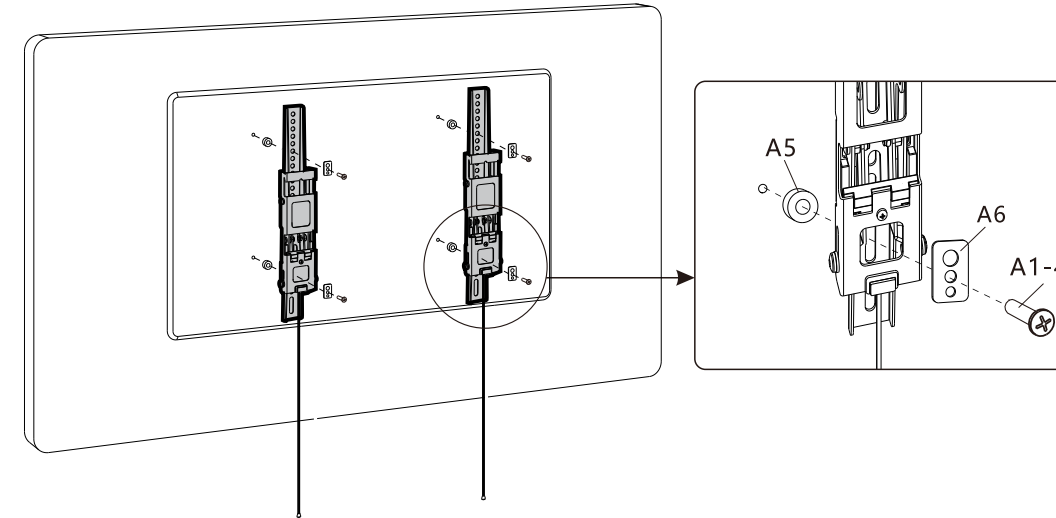
! Please select and use the appropriate screws A1/A2/A3/A4 according to the actual situation on the back of the TV.



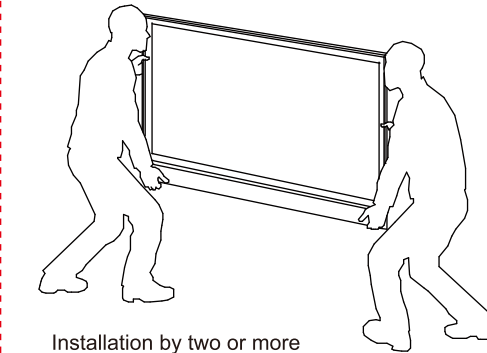
TV with curved backs or obstructions



! Please select and use the appropriate screws A1/A2/A3/A4 according to the actual situation on the back of the TV.



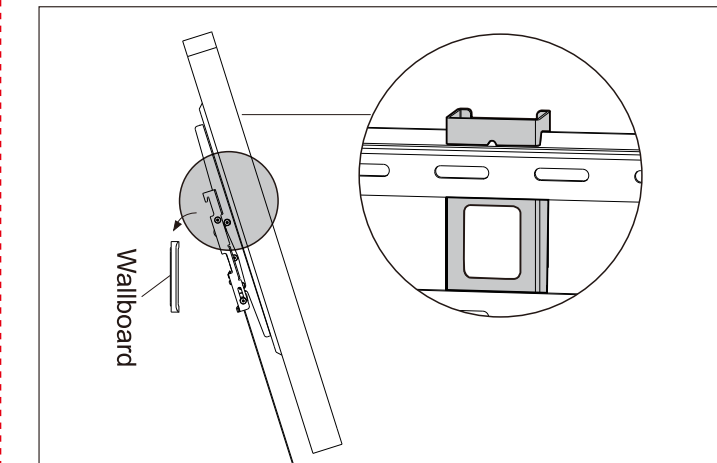
STEP4 Hang the TV on the wall panel and sort out the wires



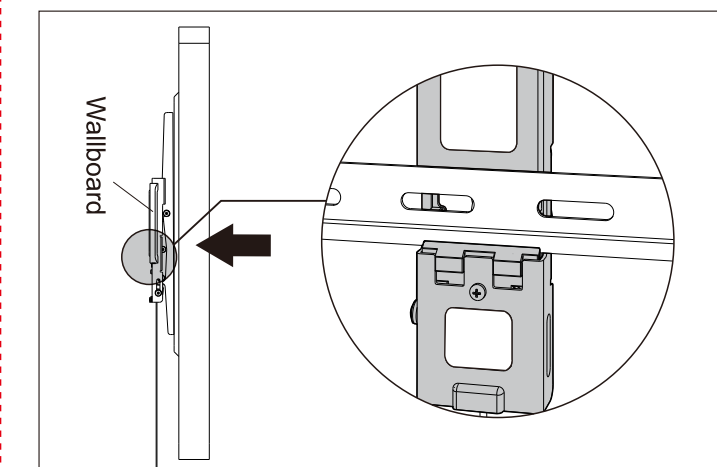
! Please try to hang the TV in the middle. If left aside, the load will deviate. Even within the load-bearing range, it may cause the product to break or fall off

Installation by two or more people working together

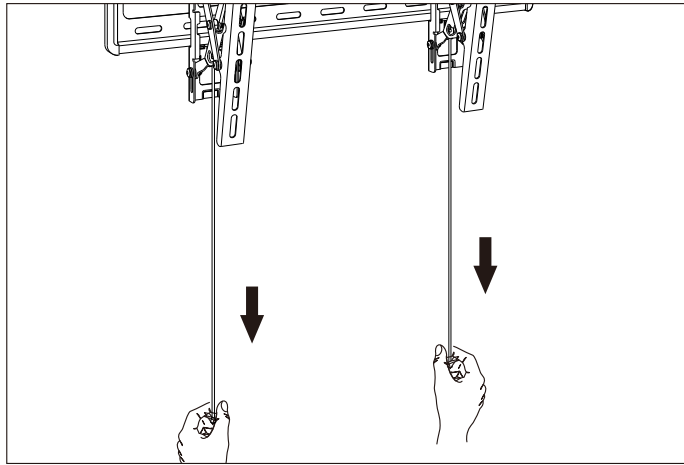
1. Hang the top of the hook assembly on the wall panel first.



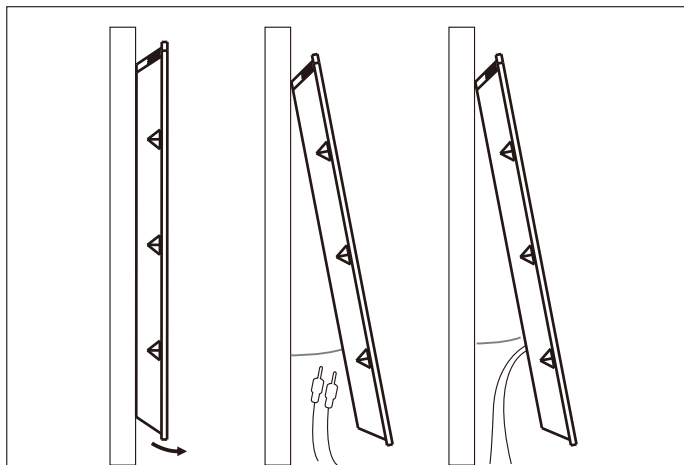
2. After the hook assembly is hung on the wall panel, simply push the TV to lock the hook.



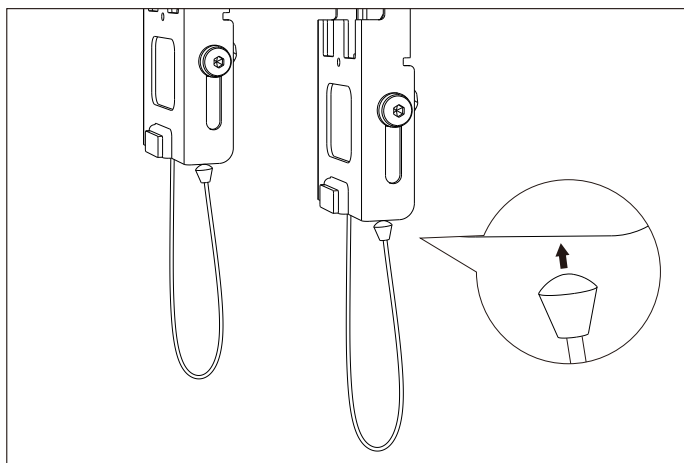
- (3) Pull down both ropes simultaneously, and you can unlock from the wall panel and remove the hook assembly.



- (4) After unlocking the hook assembly from the wall panel, the cable can be installed easily.

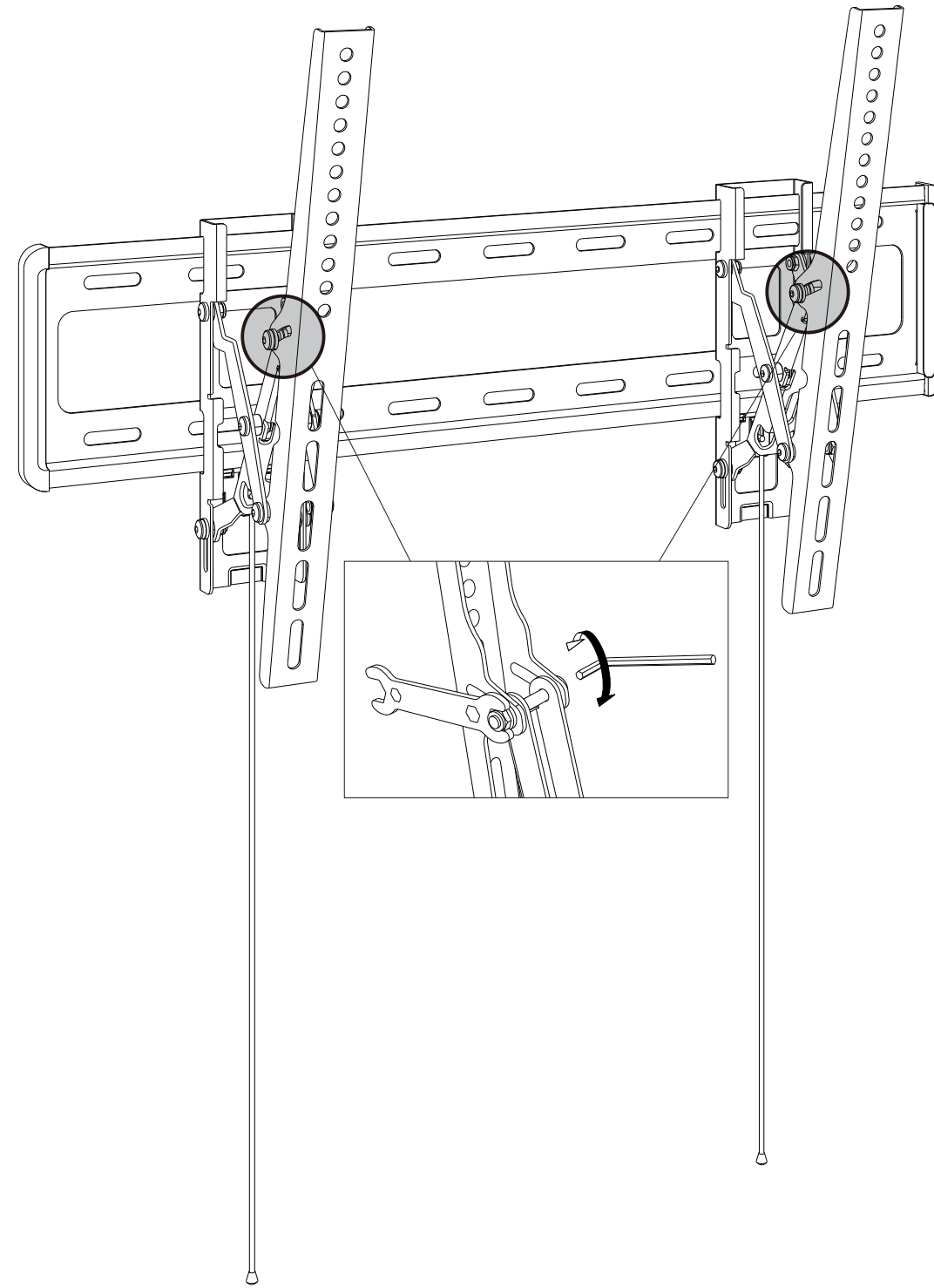


- (5) The magnetic pendant at the end of the lanyard can be directly attached to the bracket.



STEP5 Adjust the TV

If the bracket is too loose or too tight when the Angle is pulled out, the tightness of the slide groove screw can be adjusted.



Warning

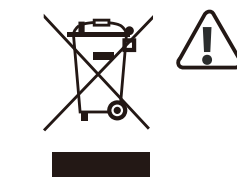
This product contains small items that could be a choking hazard if swallowed. Keep these items away from young children

- Make Sure these instructions are read and completely understood before attempting installation. If you are unsure of any part of this installation, please contact a professional installer for assistance
- The wall installation must be able to bear the weight of the bracket and the monitor. Otherwise, please promptly strengthen the structure of the wall to consolidate its load-bearing capacity.
- When installing, please be sure to wear safety clothing and use the corresponding tools. At least two people should complete the installation together. If safety clothing is not worn, it may cause harm to the human body. In severe cases, it may lead to injury or death.
- Please check the connecting parts in a timely manner every two months to confirm whether the screws are loose.

Such products must be installed on wooden or concrete walls. Before installation, please make sure to confirm the load-bearing capacity of the wall. Do not exceed its maximum load-bearing capacity of 70Kg; otherwise, it may cause damage to the product or personal injury.

Note: This type of product is only for indoor use. If used outdoors, it may cause product damage or personal injury

Waste disposal



This marking indicates that this product should not be disposed with other household wastes. To prevent possible harm to the environment or human health from uncontrolled waste disposal, recycle it responsibly to promote the sustainable reuse of material resources. To return your used device, please use the return and collection systems or contact the retailer where the product was purchased. They can take this product for environmental safe recycling.