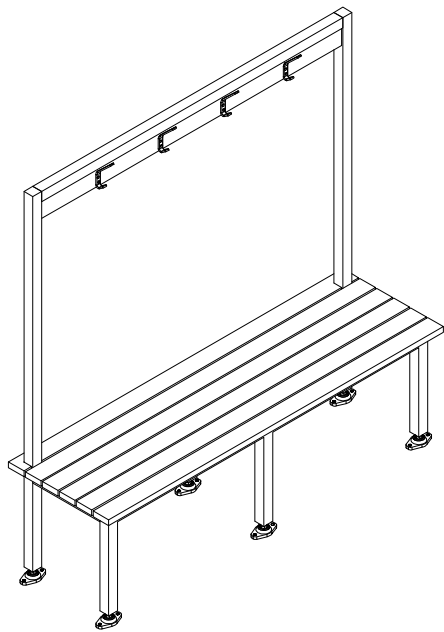
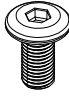


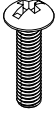
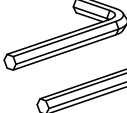
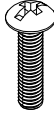



Assembly Instructions

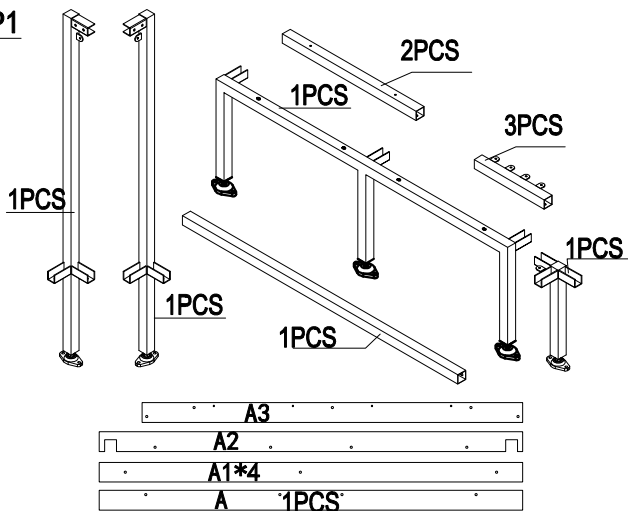
MODEL NO:OHBR15



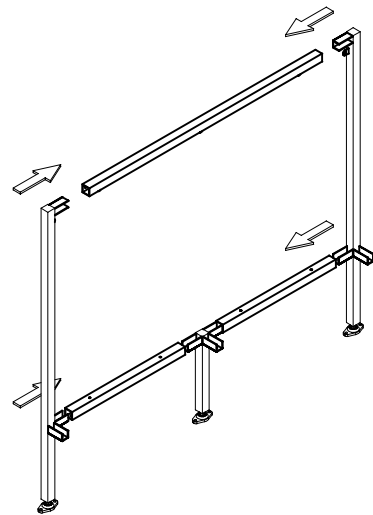
A

<p>Bolt Screw 8×16</p>  <p>1</p> <p>24PCS</p>	<p>Wood Screw 4×20</p>  <p>4</p> <p>8PCS</p>	 <p>7</p> <p>4PCS</p>
<p>Bolt Screw 6×12</p>  <p>2</p> <p>21PCS</p>	<p>Allen Wrench M5</p>  <p>5</p> <p>1PCS</p>	
<p>Bolt Screw 6×50</p>  <p>3</p> <p>8PCS</p>	 <p>6</p> <p>12PCS</p>	

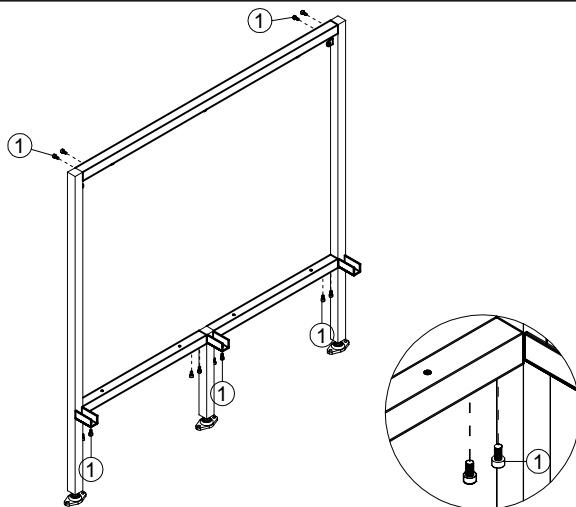
STEP1



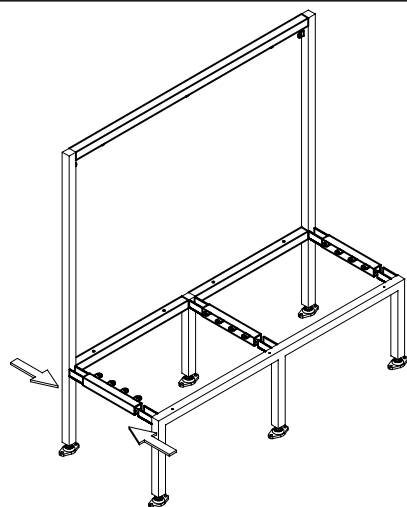
STEP2



STEP3

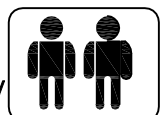


STEP4



IMPORTANT NOTE:

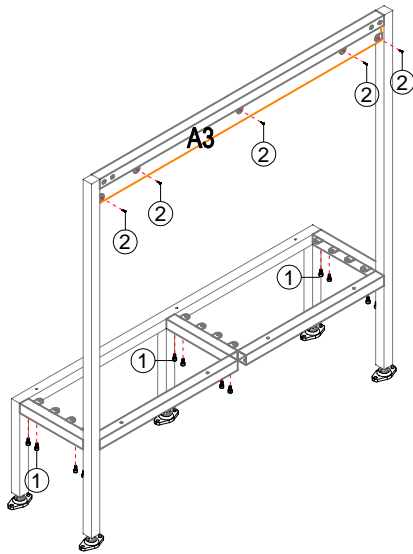
- Place all laminated parts on a clean and smooth surface such as a rug or carpet to avoid the parts from being scratched.
- Check to be sure that you have all parts and hardware.
- Remove all wrapping materials, including staples & packing straps before you start to assemble.
- Don't tighten all screws/bolts until all completely assembled.
- Keep all hardware parts out of reach of children
- Do not drill holes for Dynabolts through flooring with membrane for waterproofing. Bolting of stands to floor to be done by others (Furnx installers do not bolt locker seats &/or stands to floor)



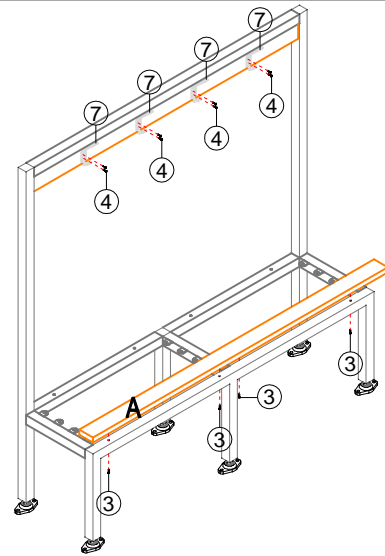
Assembly Instructions

MODEL NO:OHBR15

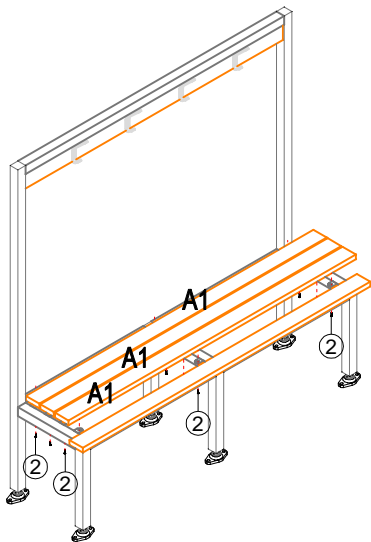
STEP5



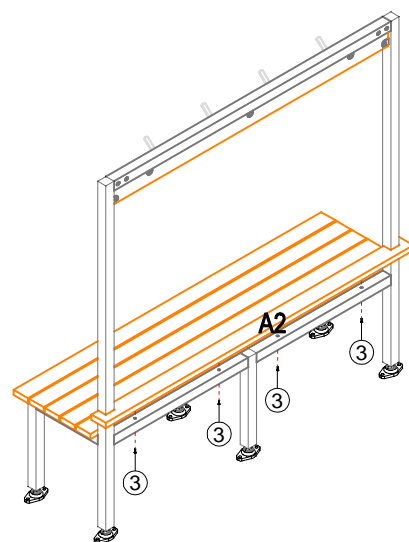
STEP6



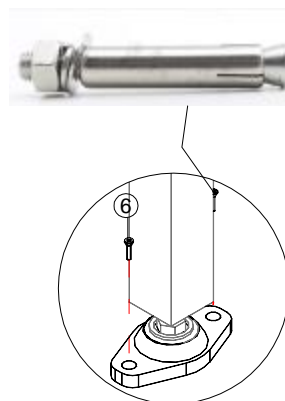
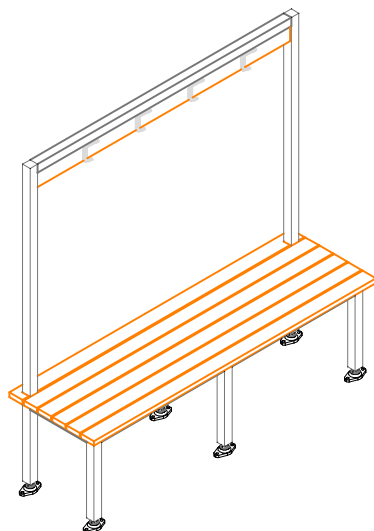
STEP7



STEP8



STEP9



IMPORTANT NOTE:

- Place all laminated parts on a clean and smooth surface such as a rug or carpet to avoid the parts from being scratched.
- Check to be sure that you have all parts and hardware.
- Remove all wrapping materials, including staples & packing straps before you start to assemble.
- Don't tighten all screws/bolts until all completely assembled.
- Keep all hardware parts out of reach of children
- Do not drill holes for Dynabolts through flooring with membrane for waterproofing. Bolting of stands to floor to be done by others (Furnx installers do not bolt locker seats &/or stands to floor)

