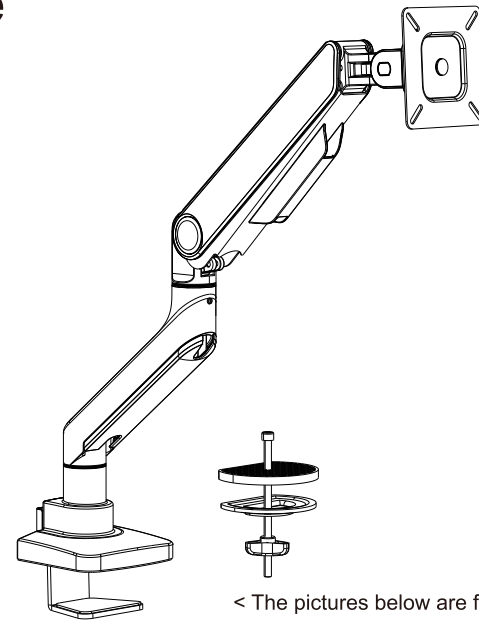


FRONT SIZE: 420mmx297mm



# FOSMA1

## Installation guide

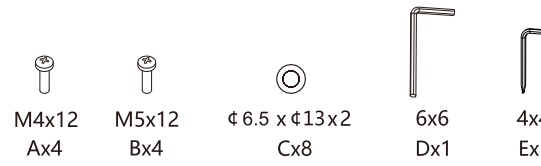


< The pictures below are for reference only, please refer to the actual product. >  
Please read this product manual carefully before use, and keep it properly.

### Product List

### Accessory List

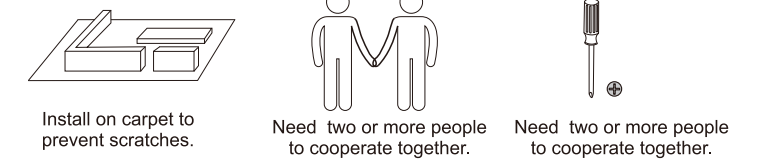
Note: The line drawings below are for reference only and may differ slightly from the physical product in some cases. Please refer to the actual product for accuracy. If any tools are missing or there are problems with installation, please contact customer service.



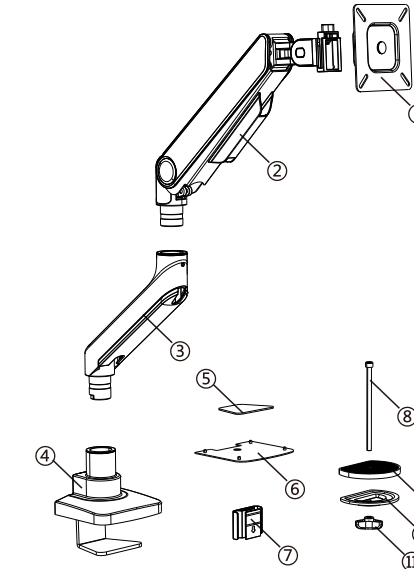
### Part List

No.	Part	No.	Part
①	Panel x1	⑦	Base Wire Clip x1
②	Upper arm x1	⑧	Long screw x1
③	Lower arm x1	⑨	Protection Pad x1
④	Base x1	⑩	Perforated Pressing Plate x1
⑤	EVA Pad x1	⑪	Knob x1
⑥	Base Pad x1		

### Preparation before installation



### Installation Instruction



### Instructions for Use

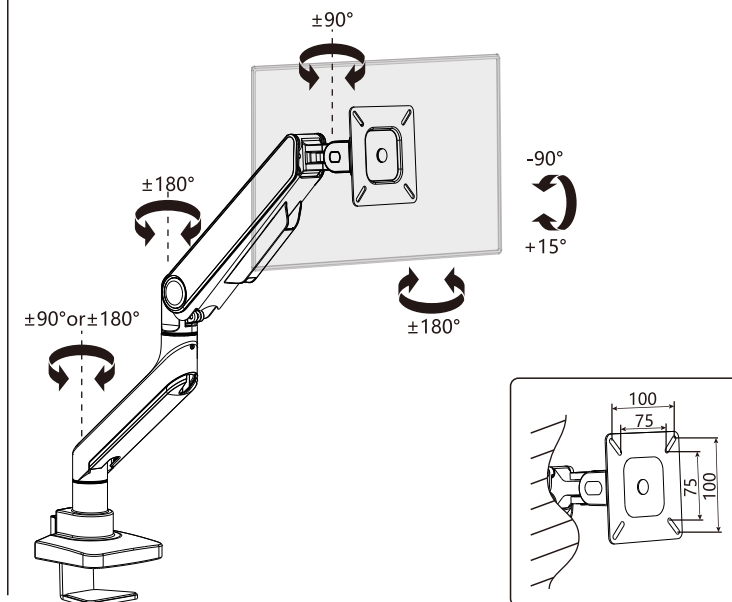
#### Main Materials Used

Main Materials Used	Application Area
Carbon Steel	Upper arm cover, lower arm cover, panel, gas spring, clamping sheet metal.
Aluminum Material	Adjustment block, lower arm, swivel base, base, head rest base.
Plastic	Decorative cover, shaft sleeve, washer, wire clip.
Powder Coating	Upper Arm, Lower Arm, Swivel Base, Base, Head Rest Base, Panel, Clamping Sheet Metal

### Technical Data

Monitor applicable size	17"~49"
Load range	2~20kg
Vertical adjustment angle	-90°~+15°
Compatible hole dimensions	100mmx100mm~75mmx75mm

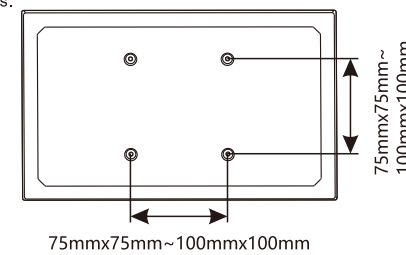
### Line drawing



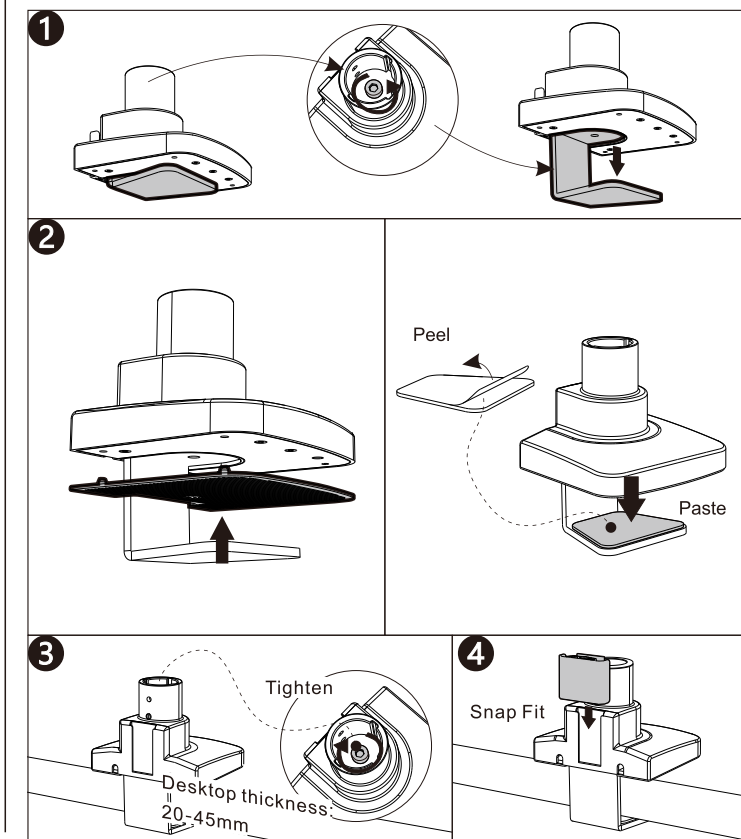
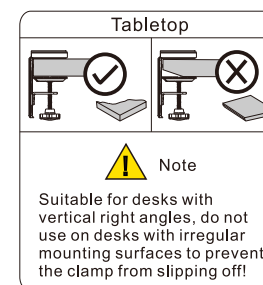
### Installation Steps

#### STEP1 Monitor installation preparation

1. Check if the installed monitor has installation holes (with 75x75 ~ 100x100). If there are no installation holes, the stand cannot be installed. (Note: Some of the display mounting holes are used to install the original fixed base and are detachable.)
2. Remove the original fixed base of the monitor (the method varies depending on the monitor). During the entire removal process, please avoid scratching the monitor panel with hard objects.

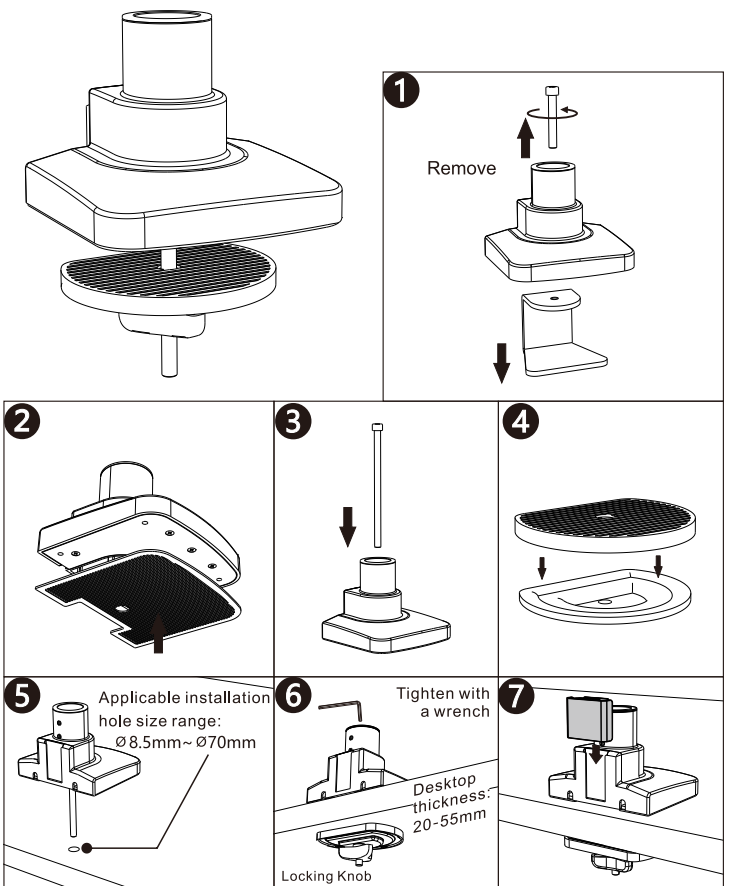


#### STEP2-1 Install the Clamping assembly



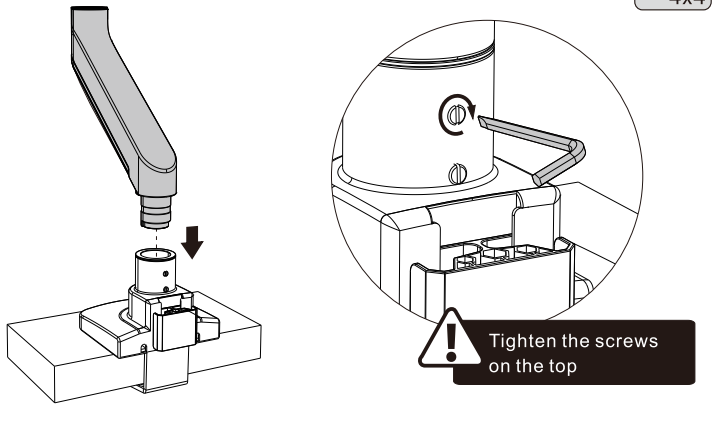
## STEP2-2 Install the Perforated assembly

D x1  
6x6



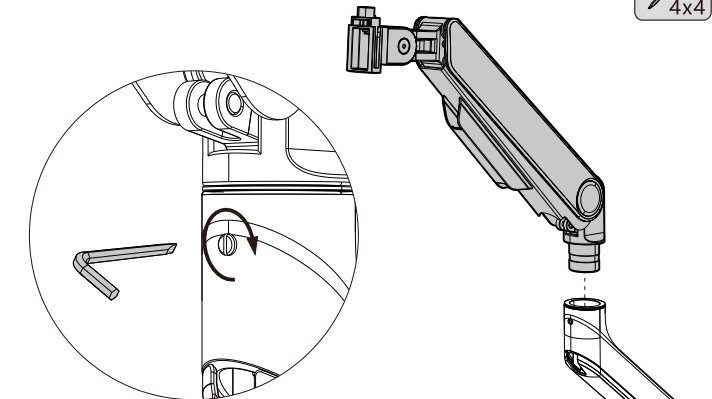
## STEP3 Install the lower arm of the bracket

E x1  
4x4



## STEP4 Install the upper arm of the bracket

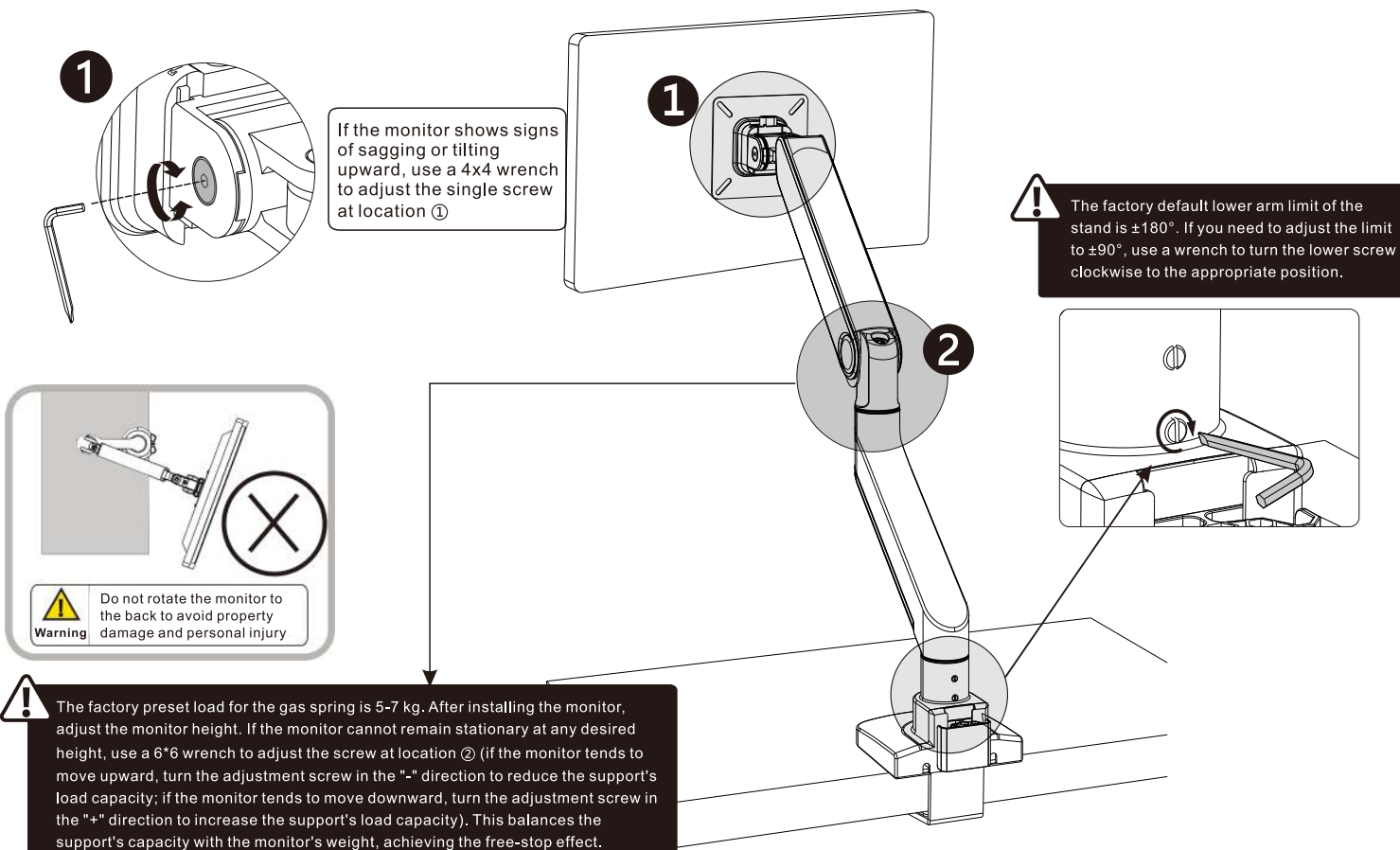
E x1  
4x4



## STEP7 Adjust the monitor

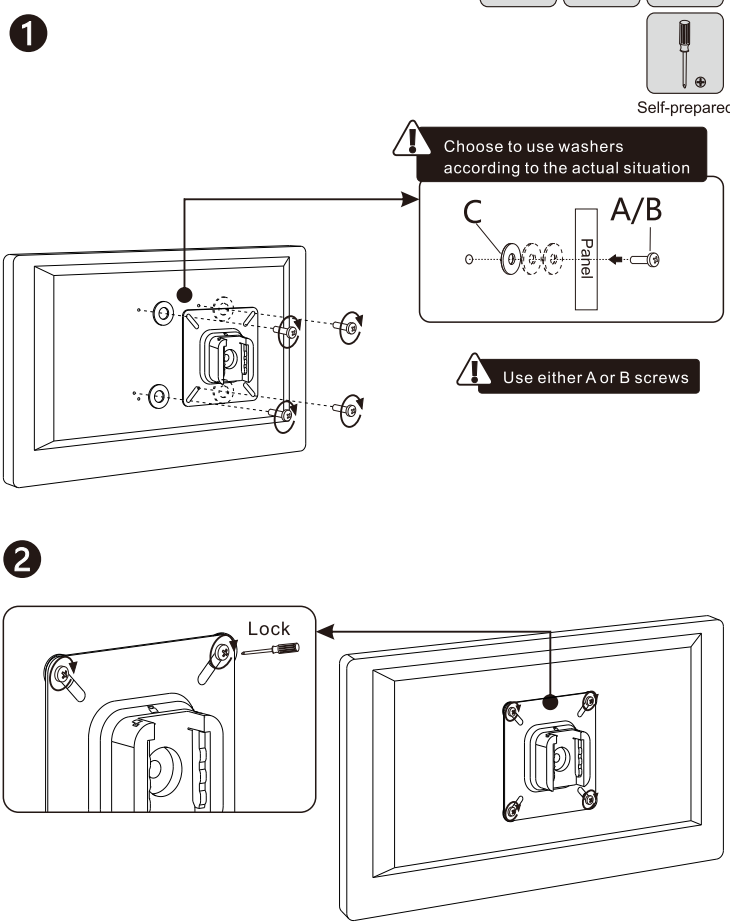
E x1  
4x4

D x1  
6x6

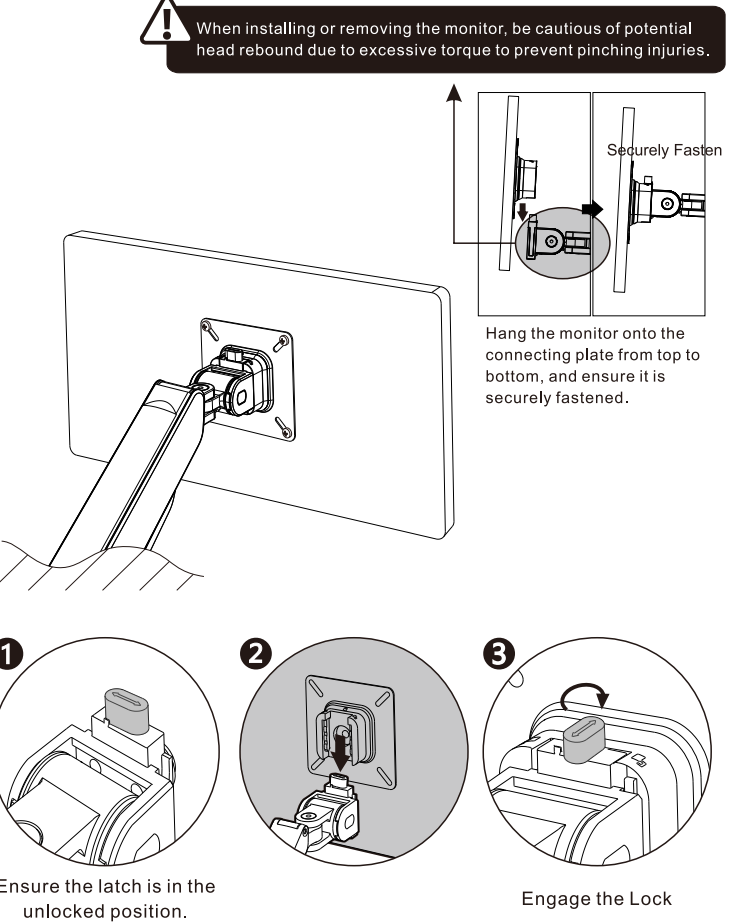


## STEP5 Install the Panel

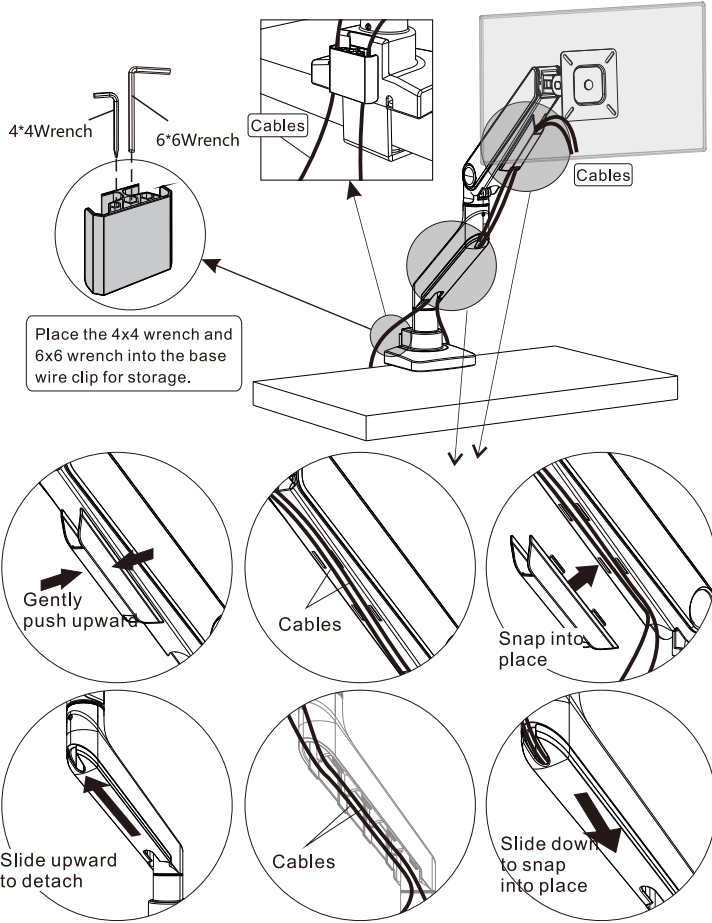
A x4 B x4 C x8



## STEP6 Connect the monitor to the arm



## STEP8 Cable Management



**Warning**

This product contains small items that could be a choking hazard if swallowed. Keep these items away from young children

- Make Sure these instructions are read and completely understood before attempting installation. If you are unsure of any part of this installation, please contact a professional installer for assistance
- please check joint parts every two months, making sure the screws are loosened or not.

This product was designed to be installed on desk. Before installing, make sure the mount will support the combined load of the equipment and hardware. Never exceed the maximum load capacity 20 KG, or else it may result in product failure or personal injury

**Note:** this product is intended for indoor use only. Use of this product outdoors could lead to product failure or personal injury.

**Waste disposal**

This marking indicates that this product should not be disposed with other household wastes. To prevent possible harm to the environment or human health from uncontrolled waste disposal, recycle it responsibly to promote the sustainable reuse of material resources. To return your used device, please use the return and collection systems or contact the retailer where the product was purchased. They can take this product for environmental safe recycling.