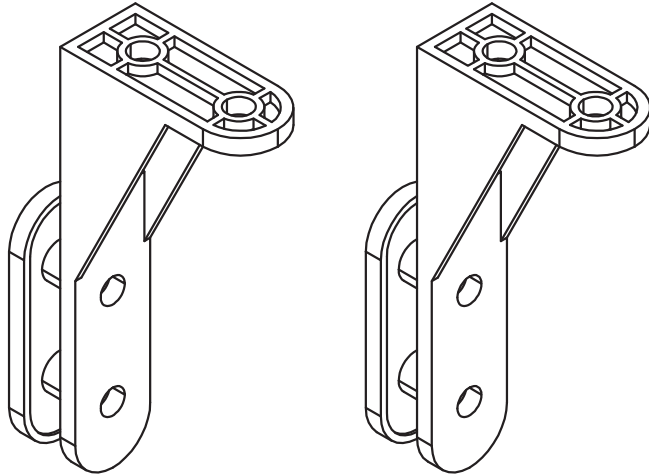
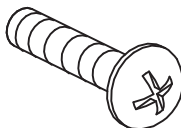
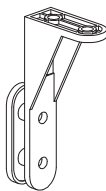




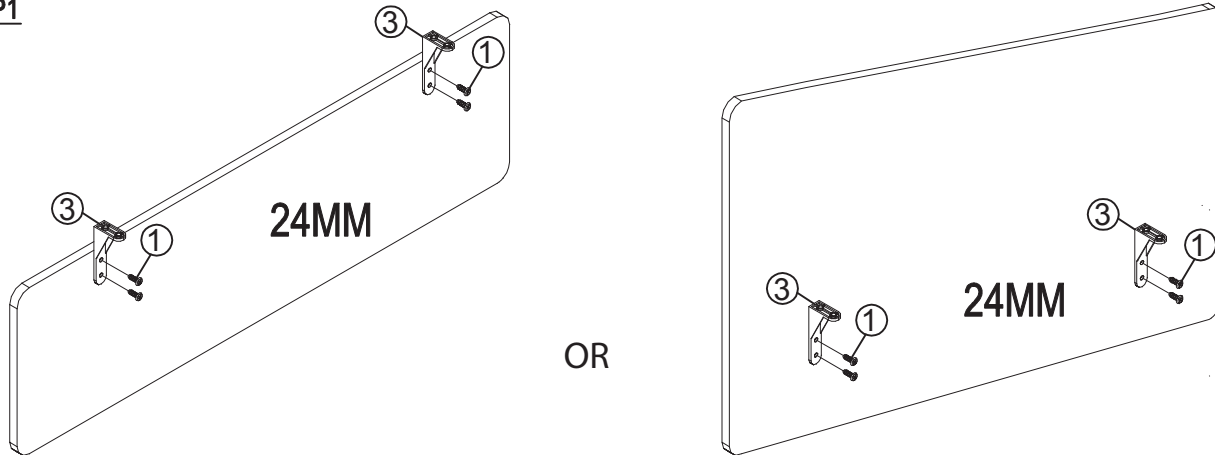
Assembly Instructions

MODEL NO: EP3QB

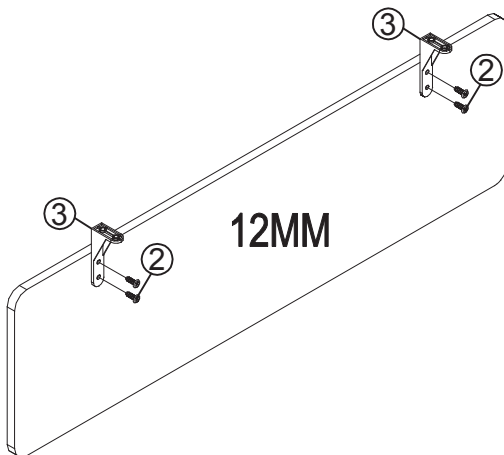


Bolt Screw 6×28  4PCS	1  2PCS
Bolt Screw 6×16  4PCS	2 Wood Screw 5×25  4PCS

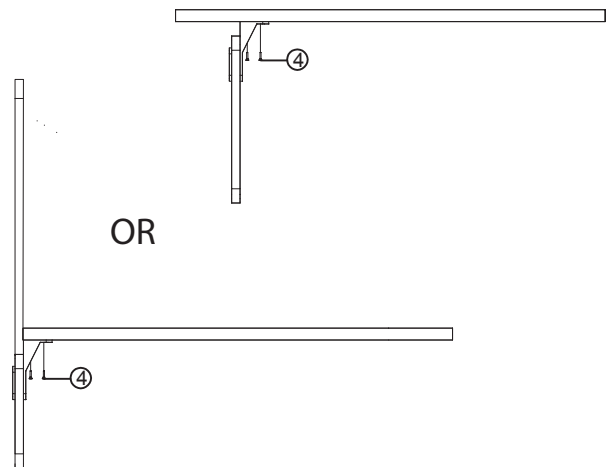
STEP1



STEP2



STEP3



IMPORTANT NOTE:

- Place all laminated parts on a clean and smooth surface such as a rug or carpet to avoid the parts from being scratched.
- Check to be sure that you have all parts and hardware.
- Remove all wrapping materials, including staples & packing straps before you start to assemble.
- Don't tighten all screws/bolts until all completely assembled.
- Keep all hardware parts out of reach of children

