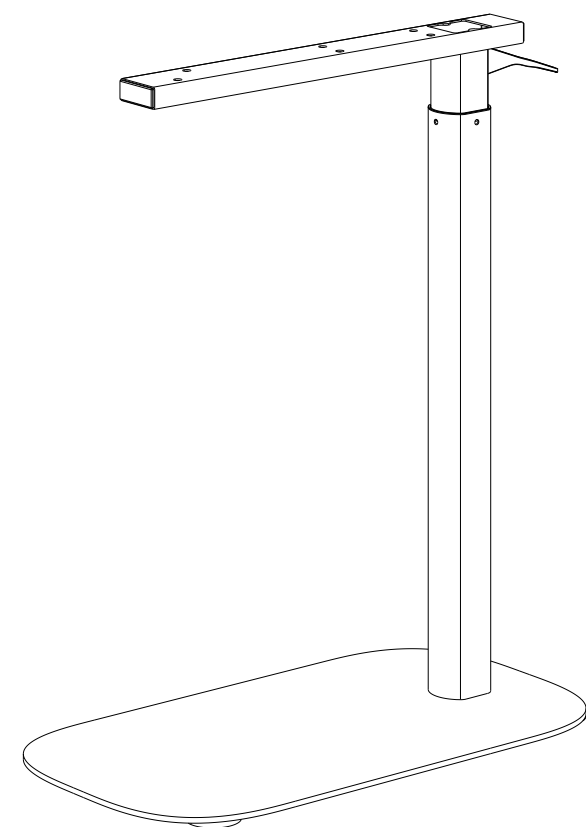


EOSHAF
Installation guide



< The pictures below are for reference only, please refer to the actual product. >
Please read this product manual carefully before use, and keep it properly.

Technical Data

Column stage	2
Max. load capacity	9KG
Lowest height	635mm
Highest height	1030mm
Desktop dimension	Length: 495-600mm Width: 290-350mm Thickness: >16mm Suggested size compatibility: 600*350mm

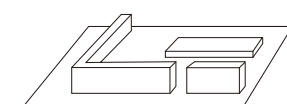
Product List

Accessory List

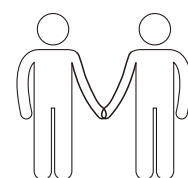
Attention: The drawings below are for guidance only and they may differ slightly from the product and fittings received. Please contact customer service if there are any missing tools or installation problems.



Preparation before installation



Install on carpet to prevent scratches.

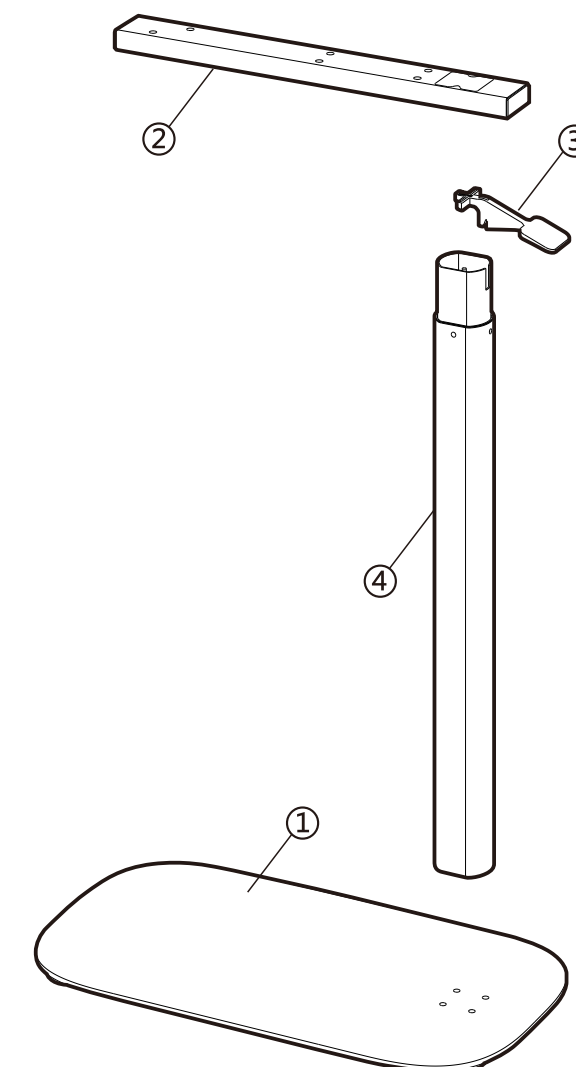


Need two or more people to cooperate together.

Part List

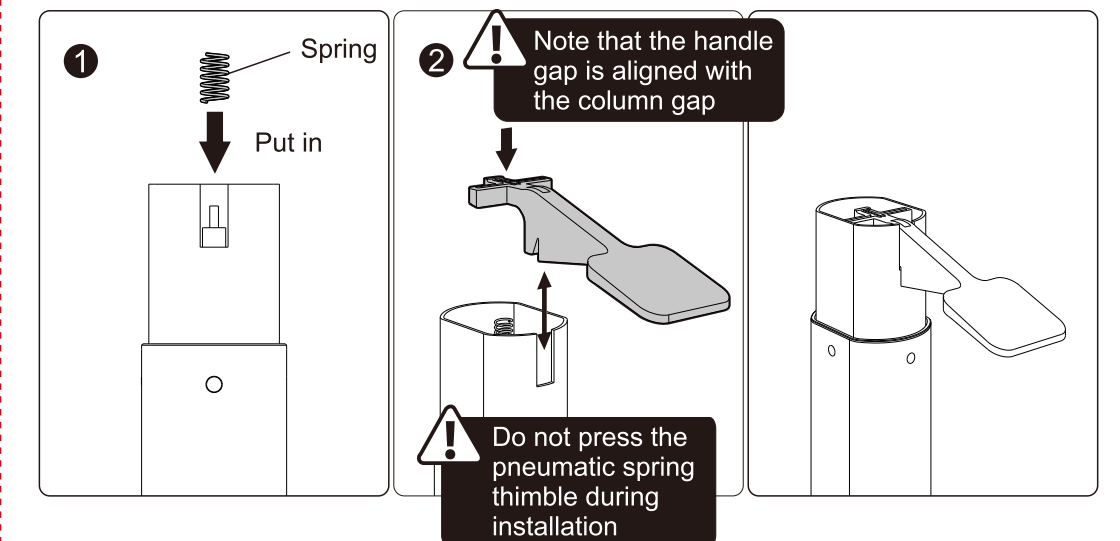
No.	Part	No.	Part
①	Base x1	③	Handle x1
②	Beam x1	④	Column x1

Installation Instruction

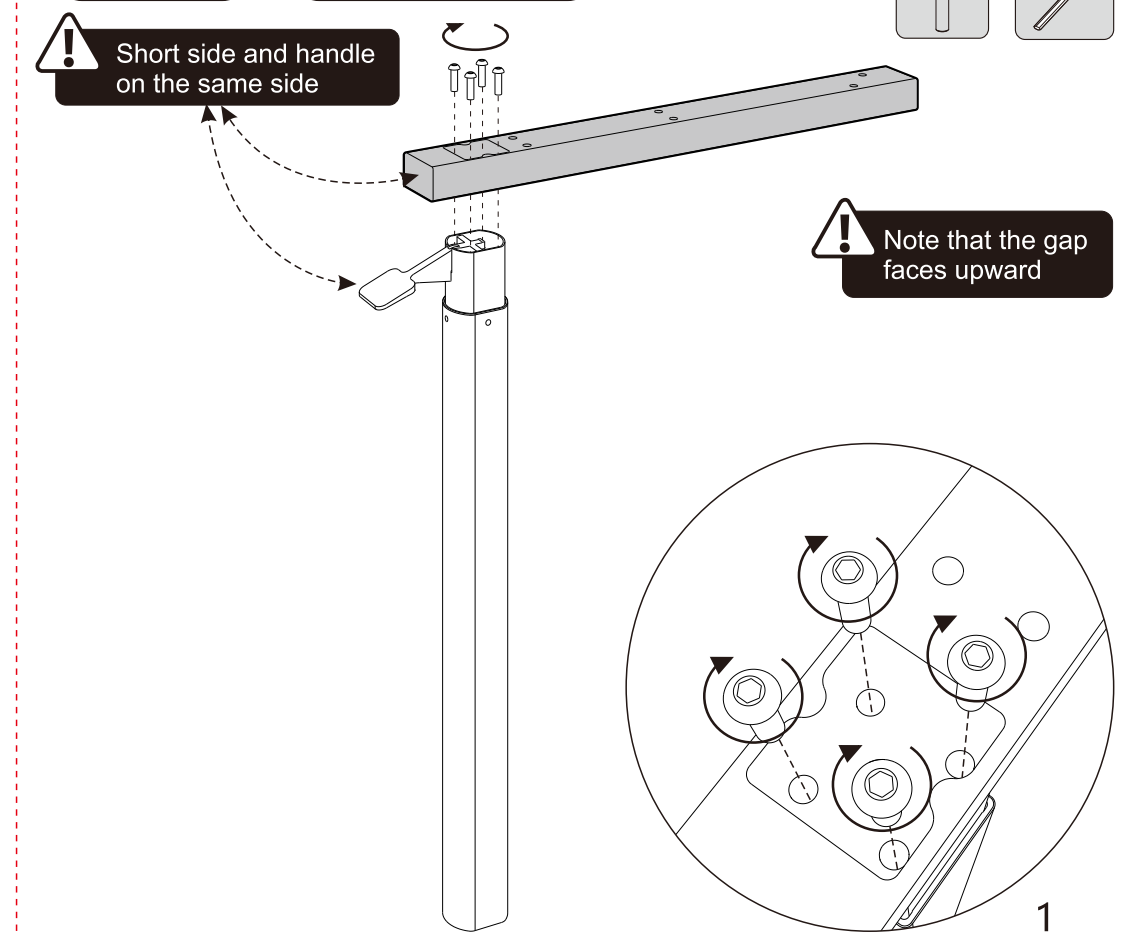


Installation Steps

STEP1 Install the column

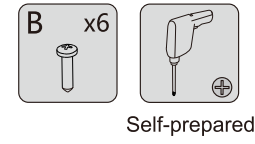


STEP2 Install the beam

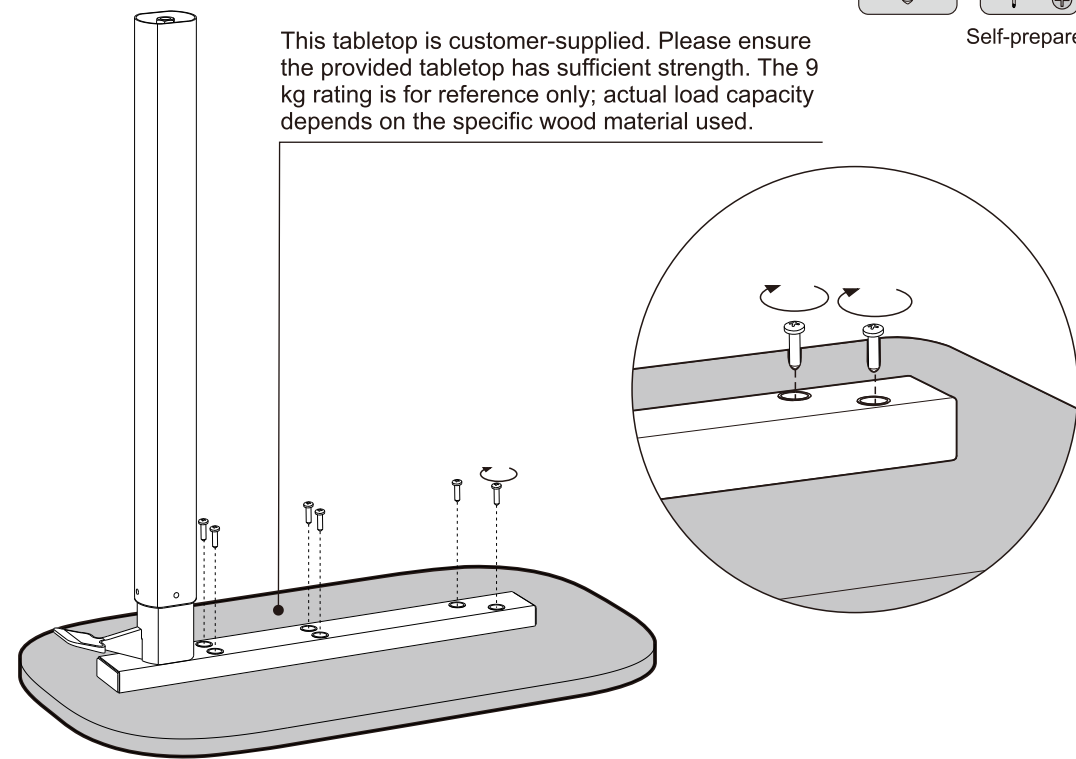


STEP3

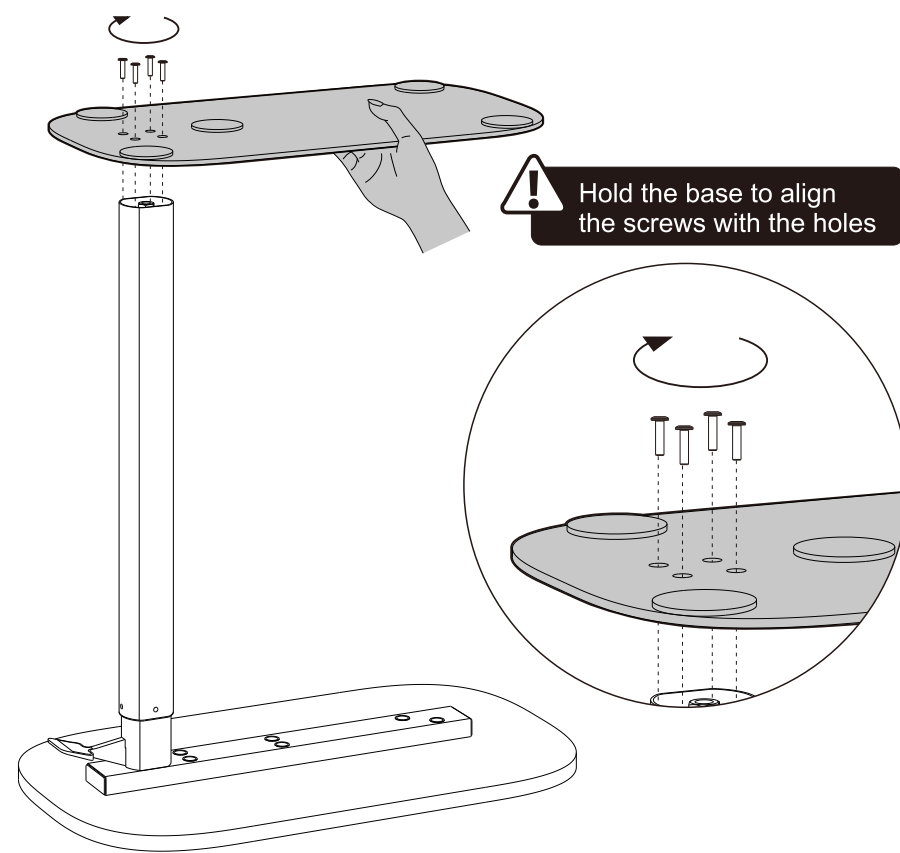
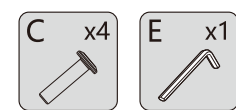
Install the desktop



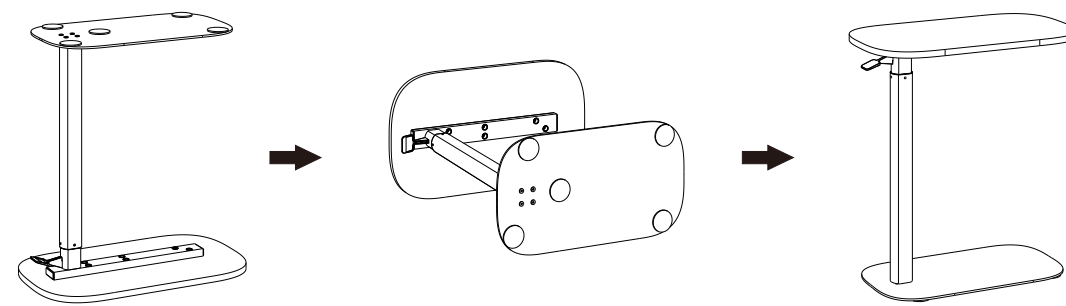
This tabletop is customer-supplied. Please ensure the provided tabletop has sufficient strength. The 9 kg rating is for reference only; actual load capacity depends on the specific wood material used.

**STEP4**

Adjust the table height

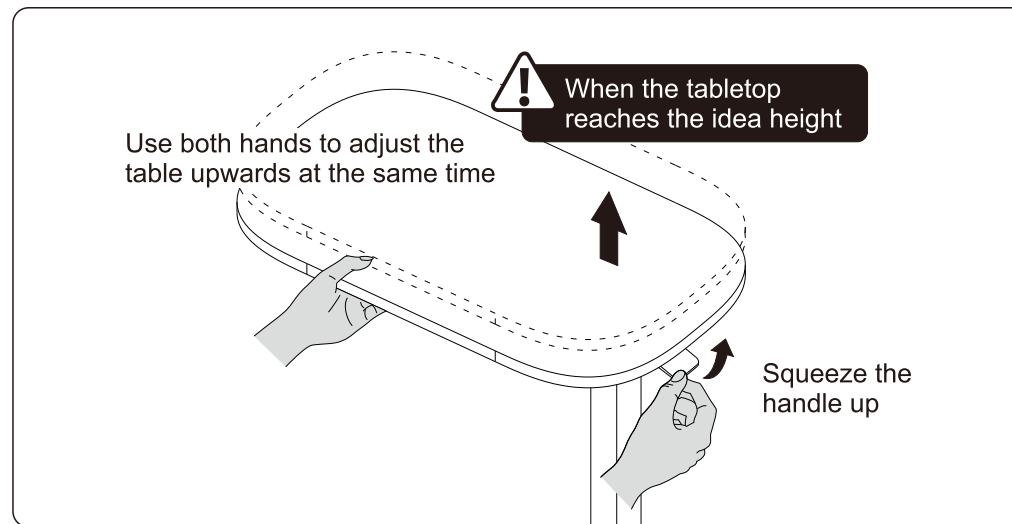
**STEP5**

Flip the table

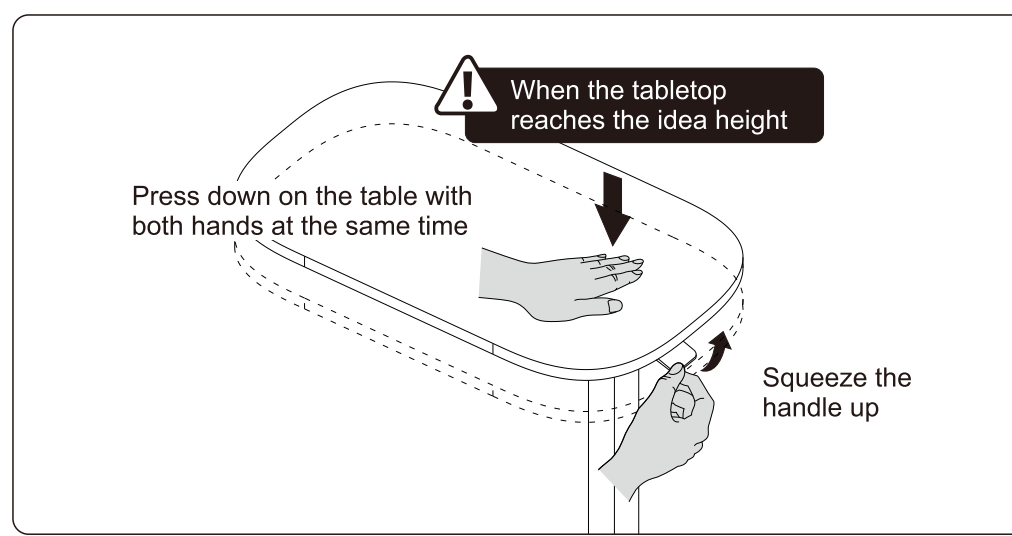
**STEP6**

Adjust the table height

Adjust height up



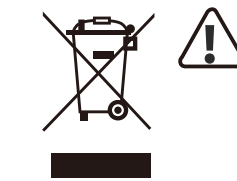
Adjust height down

**Warning**

There's spare parts in the package, which will lead to asphyxia if swallowed by accident. Please keep out of the reach of children for the spare parts.

- Make sure you have read and comprehend the manual for installation. Please contact the specialized persons if there's any confusion in the steps.
- Children are forbidden to play on the product because of unforeseen action when playing, so any dangerous consequences caused by this improper action will not be on
- This appliance can be used by children aged from 7 years and above and persons with reduced physical, sensory or mental capabilities or lack of experience and knowledge if they have been given supervision or instruction concerning use of the appliance in a safe way and understand the hazards involved. Children shall not play with the appliance.
- Children must not perform cleaning and user maintenance without supervision.
- Please make sure there is no hazard sources in your operating environment, e.g., do not litter the tools around. Always be careful to treat the packaging materials in order to avoid any possible danger, e.g. plastic bag may lead to choking hazard to children.
- Keep the original package of the equipment if necessary in case of the future use in transportation.

Waste disposal



This marking indicates that this product should not be disposed with other household wastes. To prevent possible harm to the environment or human health from uncontrolled waste disposal, recycle it responsibly to promote the sustainable reuse of material resources. To return your used device, please use the return and collection systems or contact the retailer where the product was purchased. They can take this product for environmental safe recycling.