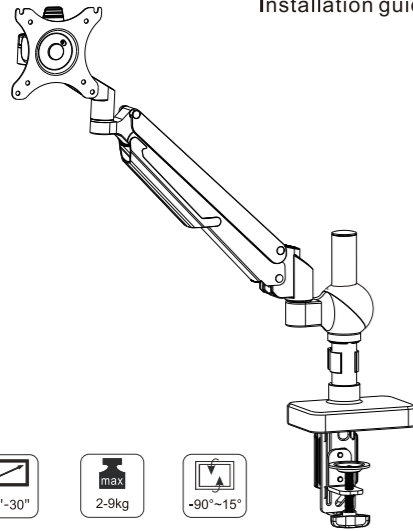


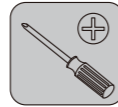
**CSMA1**  
Installation guide



M 4x12mm A(4PCS)	M 5x12mm B(4PCS)	M 6x12 mm C(3PCS)	4.6.5X 413X1.8 D(8PCS)
3x3mm Allen Key E(1PC)	4x4mm Allen Key F(1PC)	5x5mm Allen Key G(1PC)	

1. Bracket Arm \*1  
2. Panel \*1  
3. Upright pole \*1  
4. Base Cover \*1  
5. Cable Clip \*1  
6. Clamp Assembly \*1  
7. Anti-slip pad 1 \*1  
8. Anti-slip pad 2 \*1  
9. Perforated Mounting Plate \*1  
10. Long Screw \*1  
11. Rubber Protection Pad \*1  
12. Clamping Plate \*1  
13. Thumb nut \*1  
14. Spherical Decorative Cover \*1

Perforated Fitting



**STEP 2-B**

Method 2: Grommet



Countersink side down

Available hole size:  
Ø8.5mm~Ø70mm

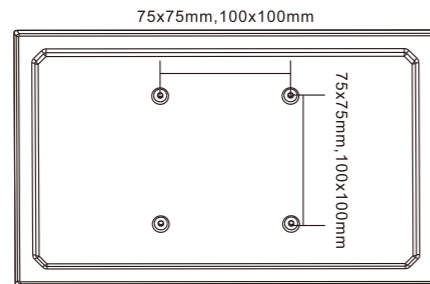
For desk thickness: 25-100mm

Tighten

**STEP 1**

Preparation for monitor installation

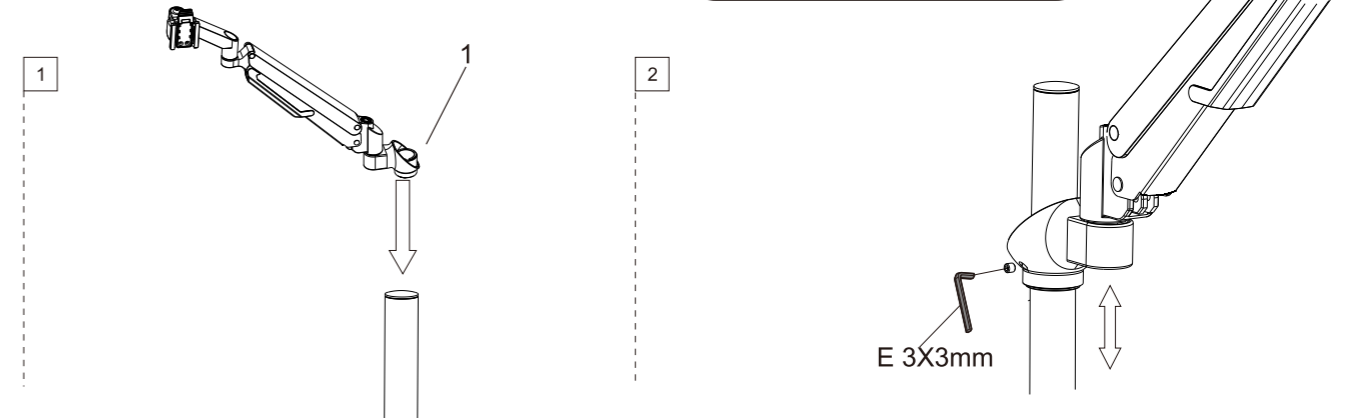
1. Check that the installed monitor has mounting holes (with 100x100 or 75x75). If there is no mounting hole, the support cannot be installed. (Note: Some monitor mounting holes are used to install the original fixed base, which can be removed.)
2. Remove the original base of the monitor (the method varies according to the monitor). During the removal, avoid hard objects from scratching the monitor panel.



**STEP 3**

Install the bracket arm

**Warning**  
Ensure screw is locked before hanging the monitor.



**STEP 2-A**

Method 1: Clamp installation

**Note**  
This product is designed for use on upper and lower right-angle table plates.  
Note: Do not attach it to irregular shaped or curved table surfaces, as this may cause clamping parts to slip.

Table top

4x4mm

For desk thickness:  
20-100mm

Table top

**STEP 4**

Install the monitor to the arm

D  
A/B  
2  
Monitor

Use washer (D) as needed based on actual conditions

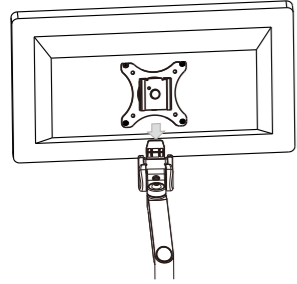
G  
Tighten

2 Tighten the screw with the cross end of the allen key (G)

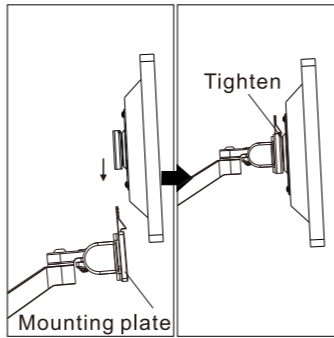
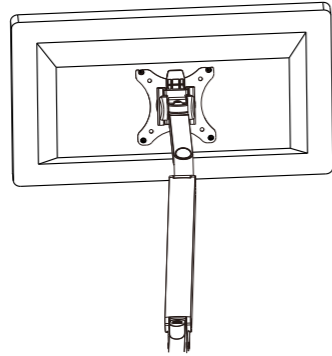
## STEP 5

Connect the monitor with the bracket arm

1



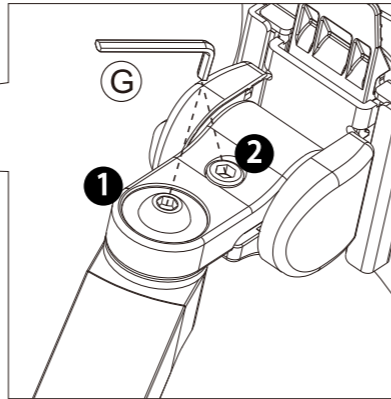
2



Hang the monitor from top to bottom onto the mounting bracket and make sure to fasten it securely.

## STEP 6

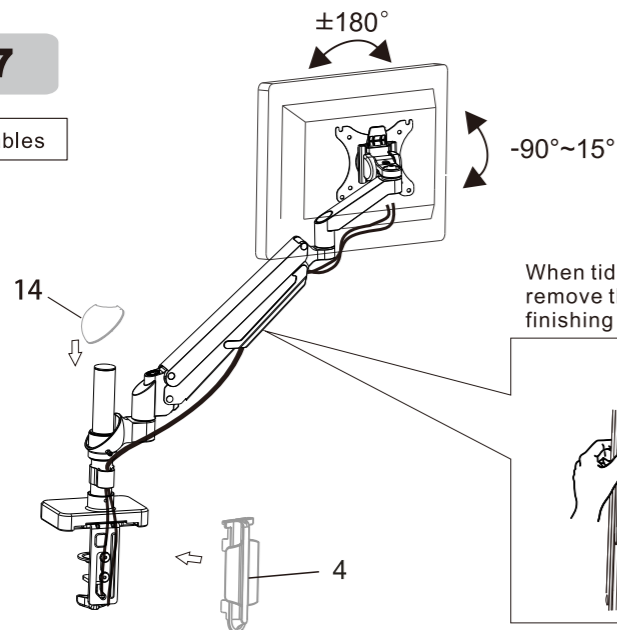
Adjust the monitor



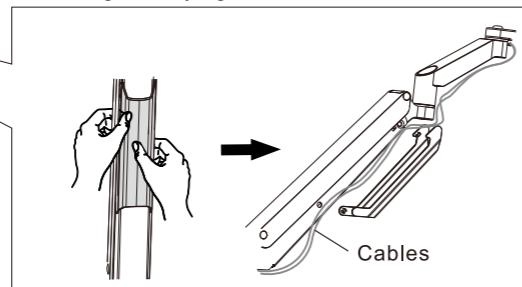
If the monitor rotation is too tight or too loose, use a 5x5 allen key (G) to adjust the screw at position ①.  
If the monitor is tilting downwards, use a 5x5 allen key (G) to adjust the screw at position ②.

## STEP 7

Tidy up the cables



When tidying up the cables, use both hands to remove this clip, and then snap it back on after finishing the tidying.



## CAUTION

This product contains small items that could be a choking hazard if swallowed. Keep these items away from young children.

- Make Sure these instructions are read and completely understood before attempting installation. If you are unsure of any part of this installation, please contact a professional installer for assistance.
- The desk or mounting surface must be capable of supporting the combined weight of the mount and the display, otherwise the structure must be reinforced.
- Please check joint parts every two months, making sure the screws are loosened or not.

This product was designed to be installed on desk. Before installing, make sure the mount will support the combined load of the equipment and hardware. Never exceed the maximum load capacity 9 KG, or else it may result in product failure or personal injury.

Note: this product is intended for indoor use only. Use of this product outdoors could lead to product failure or personal injury.

**Warning:** To be on the safe side, be sure to use the accessories that came with the product.