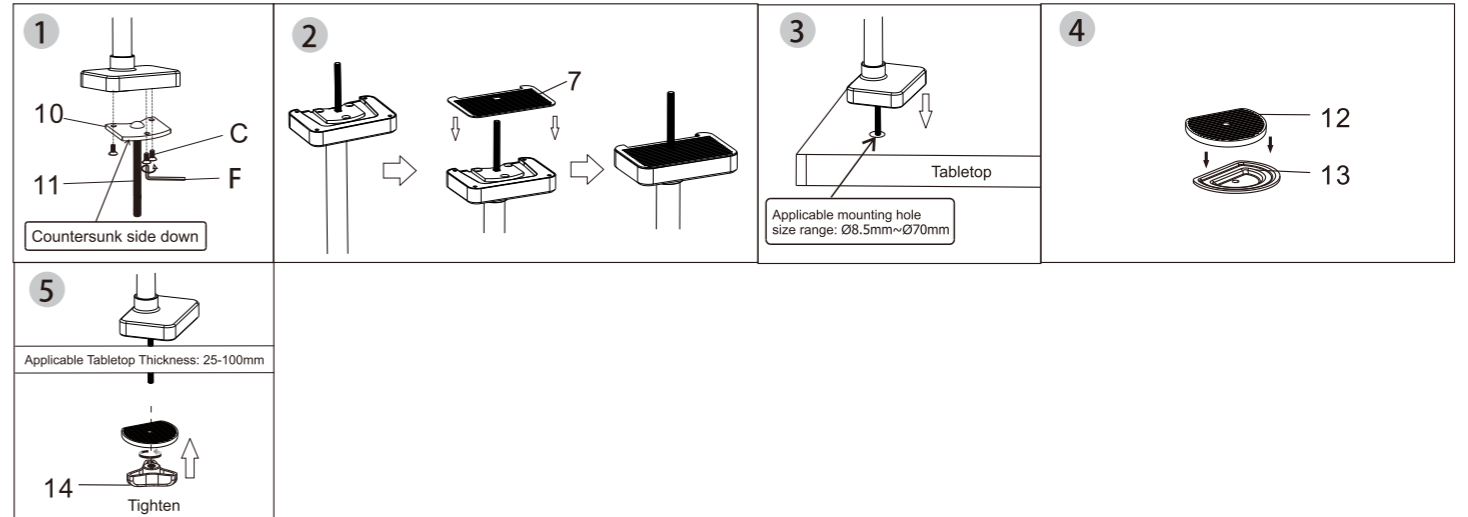


STEP2-B

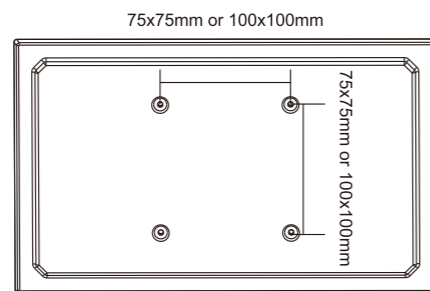
Option 2: Grommet



STEP1

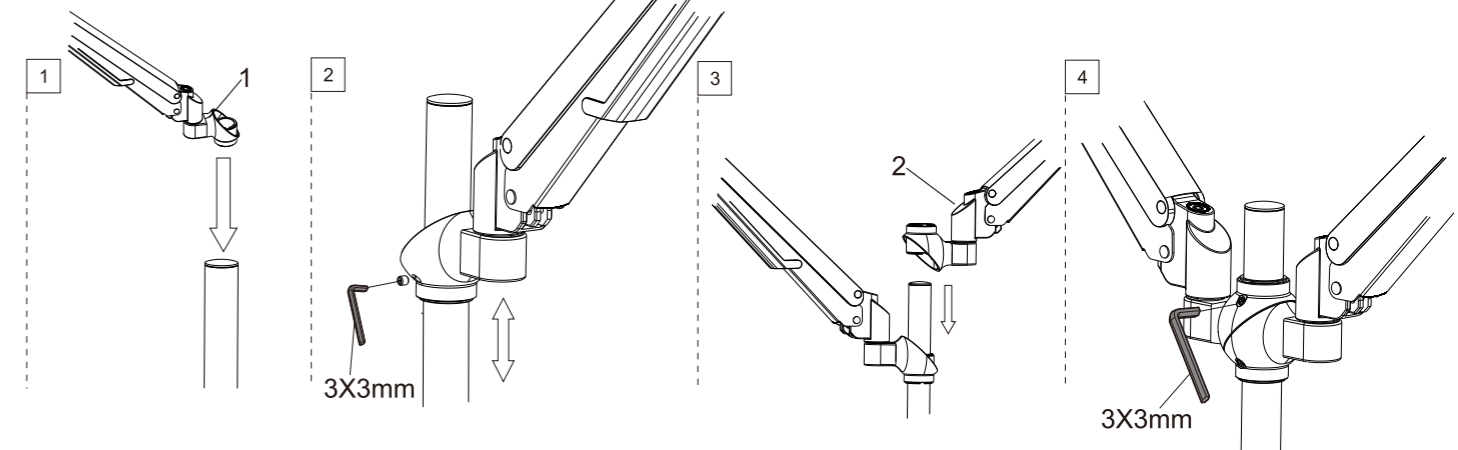
Preparations before installing monitor

1. Make sure there are VESA holes 100x100mm or 75x75mm on the monitor. If not, the mount couldn't be installed. (Note: Part of the monitor mounting holes are used to install the original fixed base, which is detachable.)
2. Remove the original fixed base of the monitor (the detaching methods of different monitors are different). During the removal process, please avoid hard objects scratching the monitor panel.



STEP3

Install the Arm Connector



Warning
Before hanging the monitor, tighten the screws.

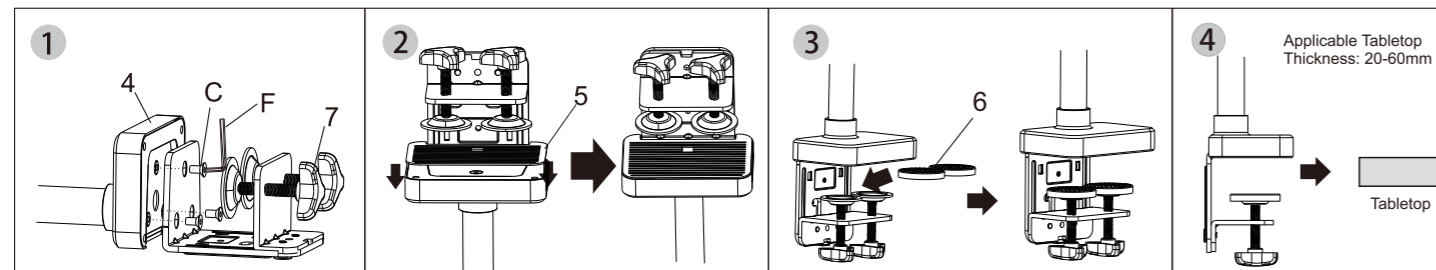
STEP2-A

Option 1: Clamp

Note
The desktop suitable for the up and down right angle is prohibited the use of special-shaped desktop to prevent the clamping parts from slipping!

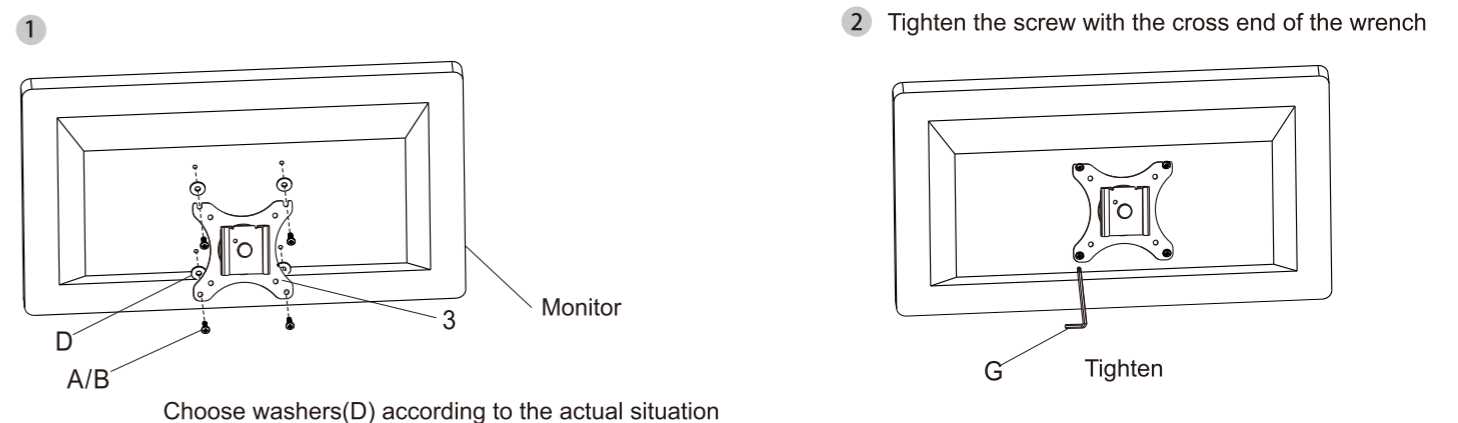
Tabletop

4x4mm



STEP4

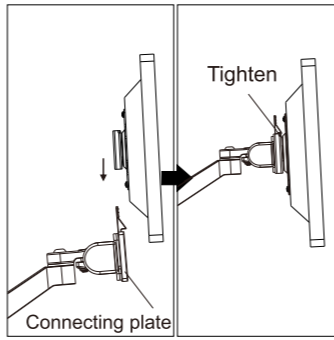
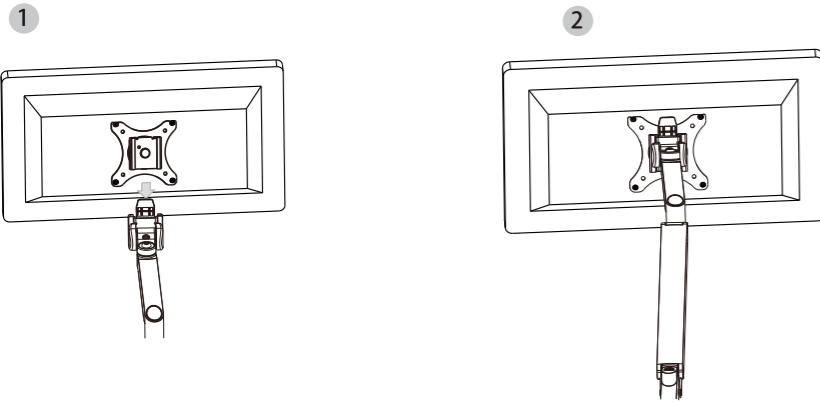
Connect the Plate and the Monitor



2 Tighten the screw with the cross end of the wrench

STEP5

Attach the Monitor to the Arm



Hang the monitor on the connecting plate from top to bottom and tighten it.



CAUTION

This product contains small items that could be a choking hazard if swallowed. Keep these items away from young children.

- Make Sure these instructions are read and completely understood before attempting installation. If you are unsure of any part of this installation, please contact a professional installer for assistance.
- The desk or mounting surface must be capable of supporting the combined weight of the mount and the display, otherwise the structure must be reinforced.
- Safety gear and proper tools must be used. A minimum of two people are required for this installation. Failure to use safety gear can result in property damage, serious injury or death.
- please check joint parts every two months, making sure the screws are loosened or not.

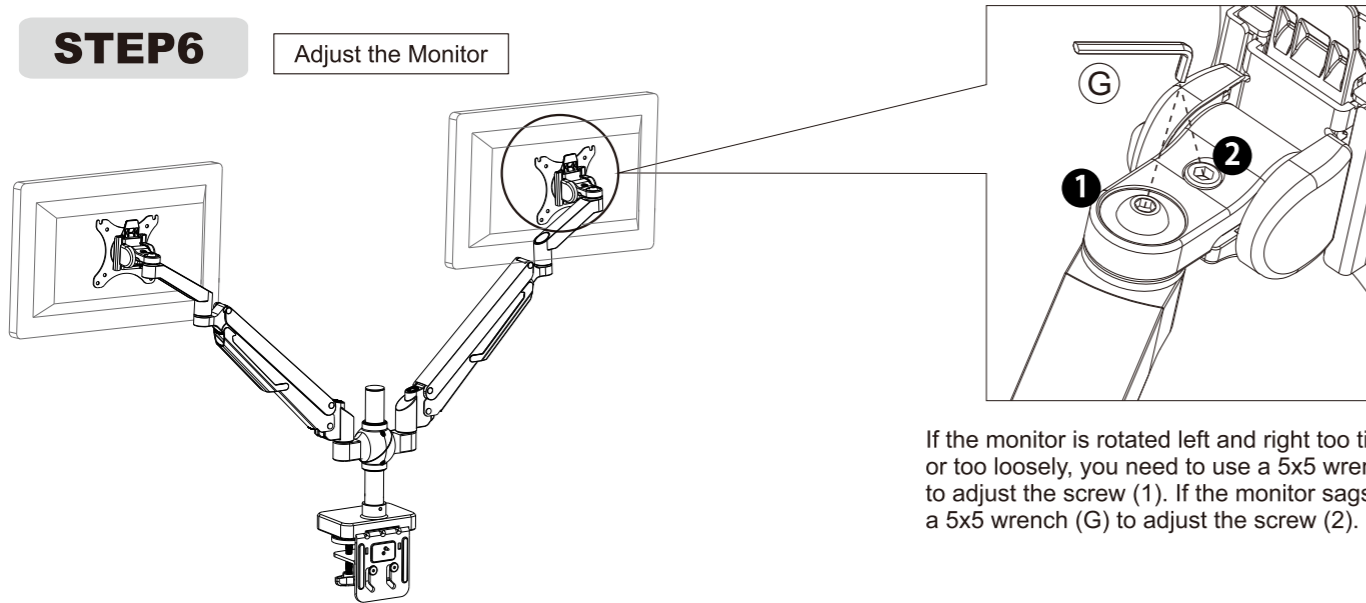
This product was designed to be installed on desk. Before installing, make sure the mount will support the combined load of the equipment and hardware. Never exceed the maximum load capacity 9 KG, or else it may result in product failure or personal injury.

Note: this product is intended for indoor use only. Use of this product outdoors could lead to product failure or personal injury.

Warning: For the sake of safety, be sure to use the accessories that come with the product.

STEP6

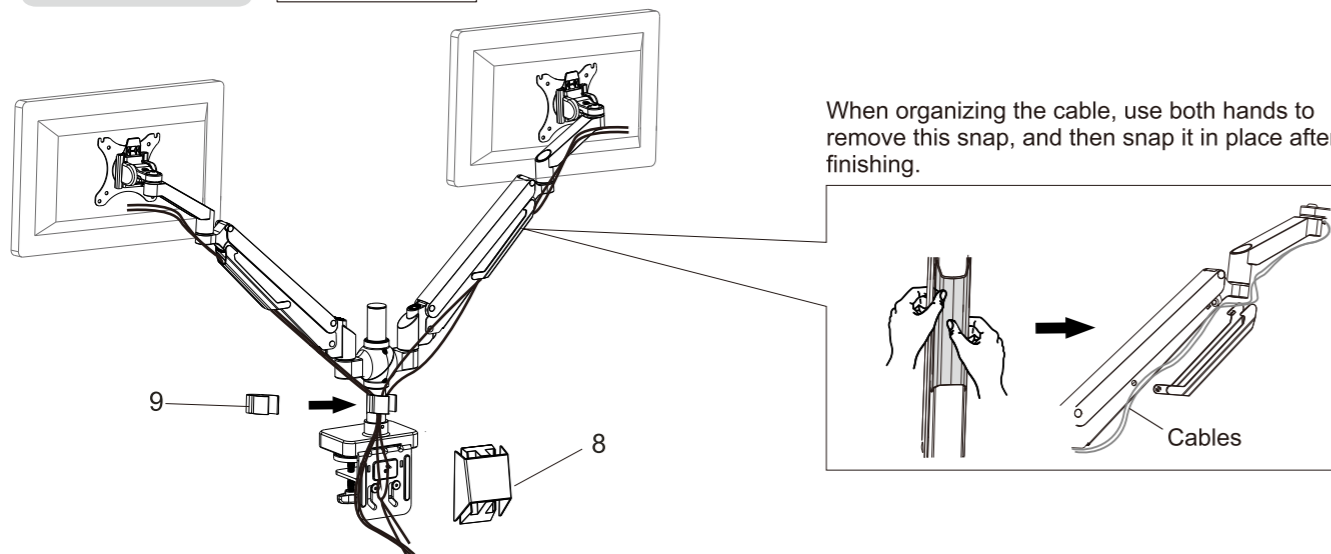
Adjust the Monitor



If the monitor is rotated left and right too tightly or too loosely, you need to use a 5x5 wrench (G) to adjust the screw (1). If the monitor sags, use a 5x5 wrench (G) to adjust the screw (2).

STEP7

Organize Cables



When organizing the cable, use both hands to remove this snap, and then snap it in place after finishing.

Cables