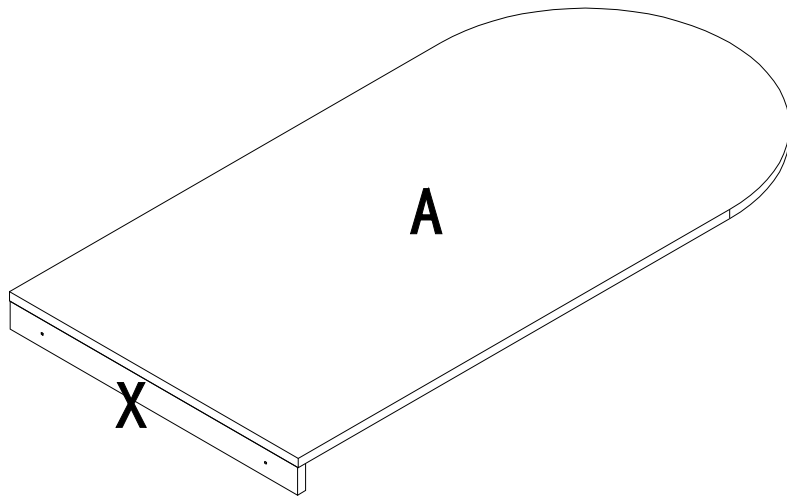


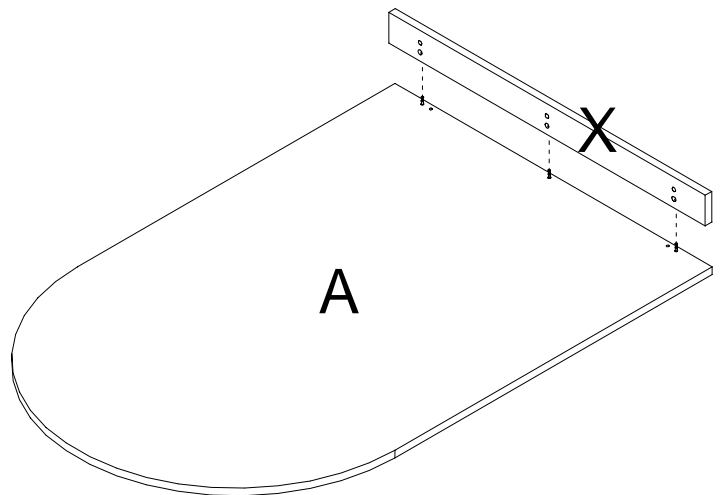
Assembly Instructions

MODEL NO:DET1810 + RTB

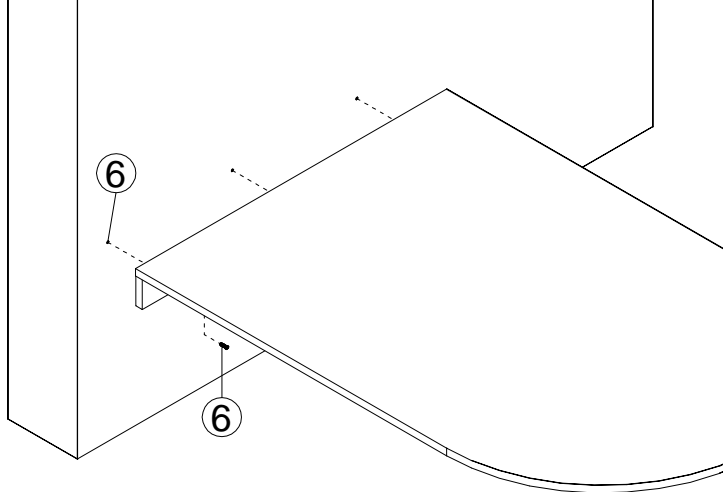


Pin 1 3PCS	6x35 Bracket 4 2PCS
Cam 2 3PCS	Wood Screw 4x16 5 8PCS
Cam Cover 3 3PCS	5x75 6 3PCS

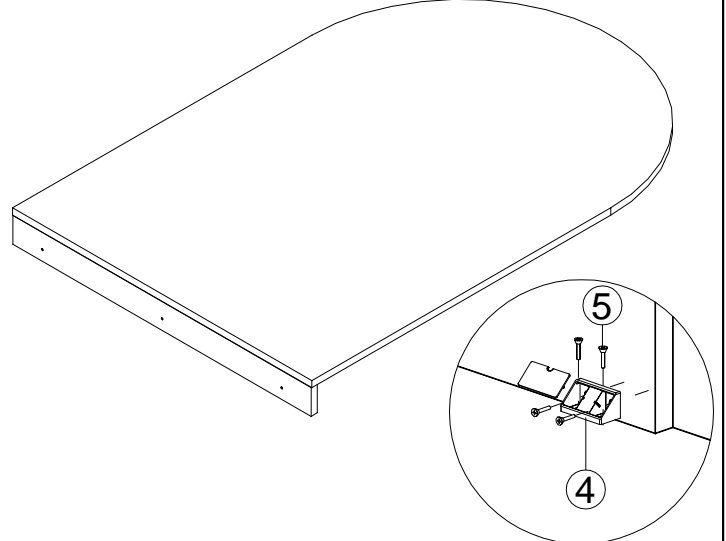
STEP1



STEP2

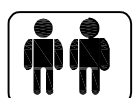



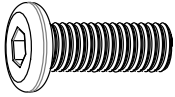
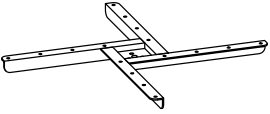


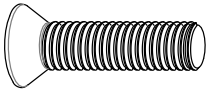
STEP2

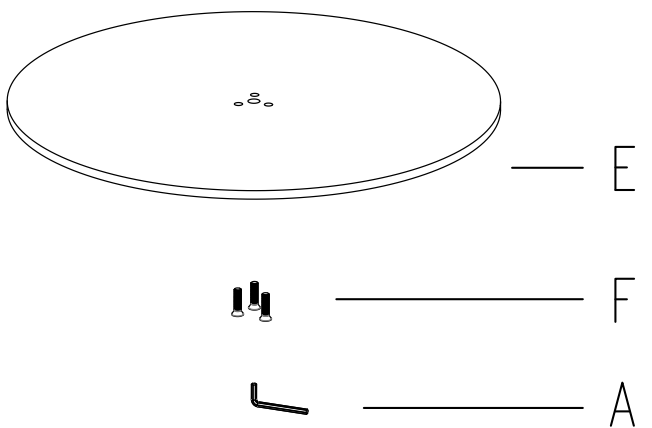
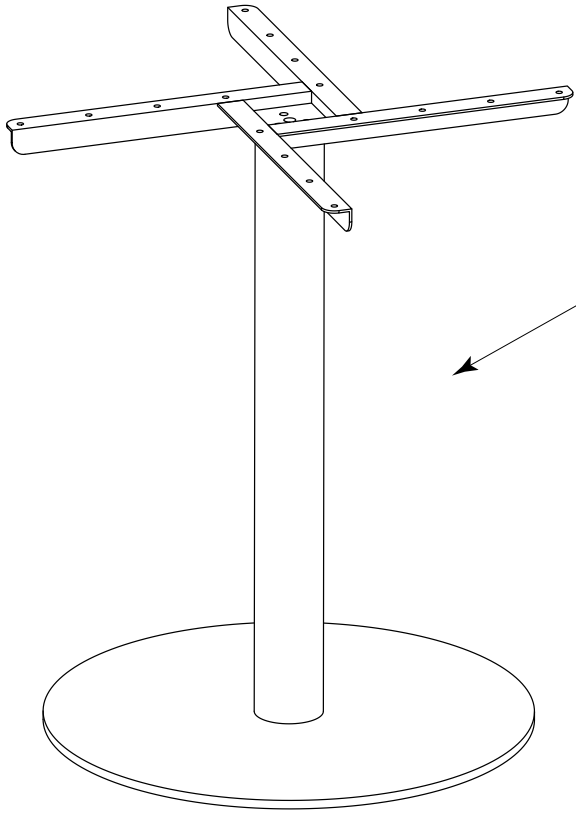
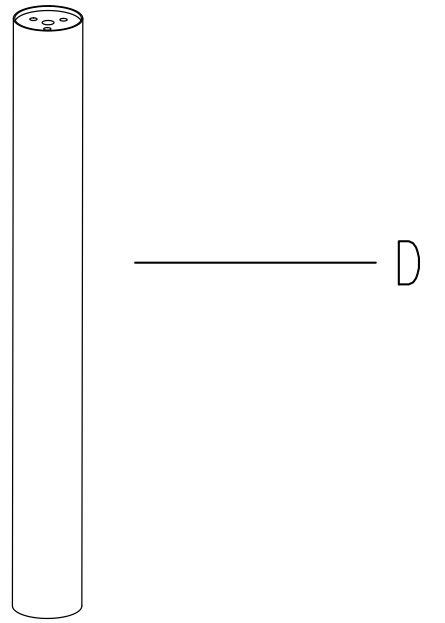
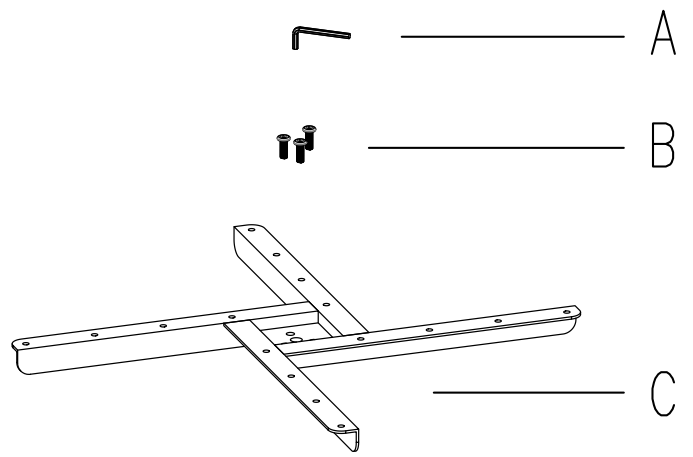


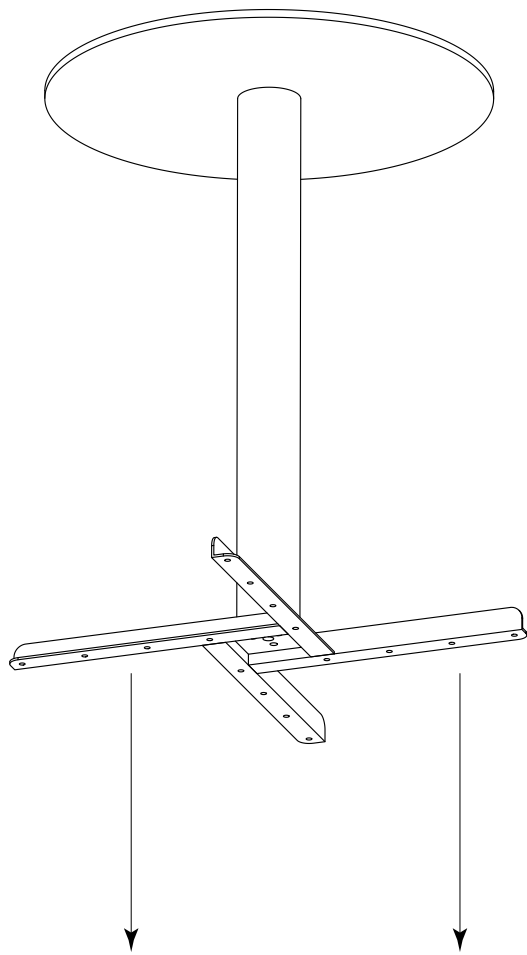
IMPORTANT NOTE:

- Place all laminated parts on a clean and smooth surface such as a rug or carpet to avoid the parts from being scratched.
- Check to be sure that you have all parts and hardware.
- Remove all wrapping materials, including staples & packing straps before you start to assemble.
- Don't tighten all screws/bolts until all completely assembled.
- Keep all hardware parts out of reach of children



	A 1
	B
	C 1
	D 1
	E 1
	F 3





Once Frame is complete, flip upside down onto table top

Mark screw holes on table with pencil

Remove frame and pre-drill your screw holes

Replace frame onto top, upside down and screw the frame to the top.

