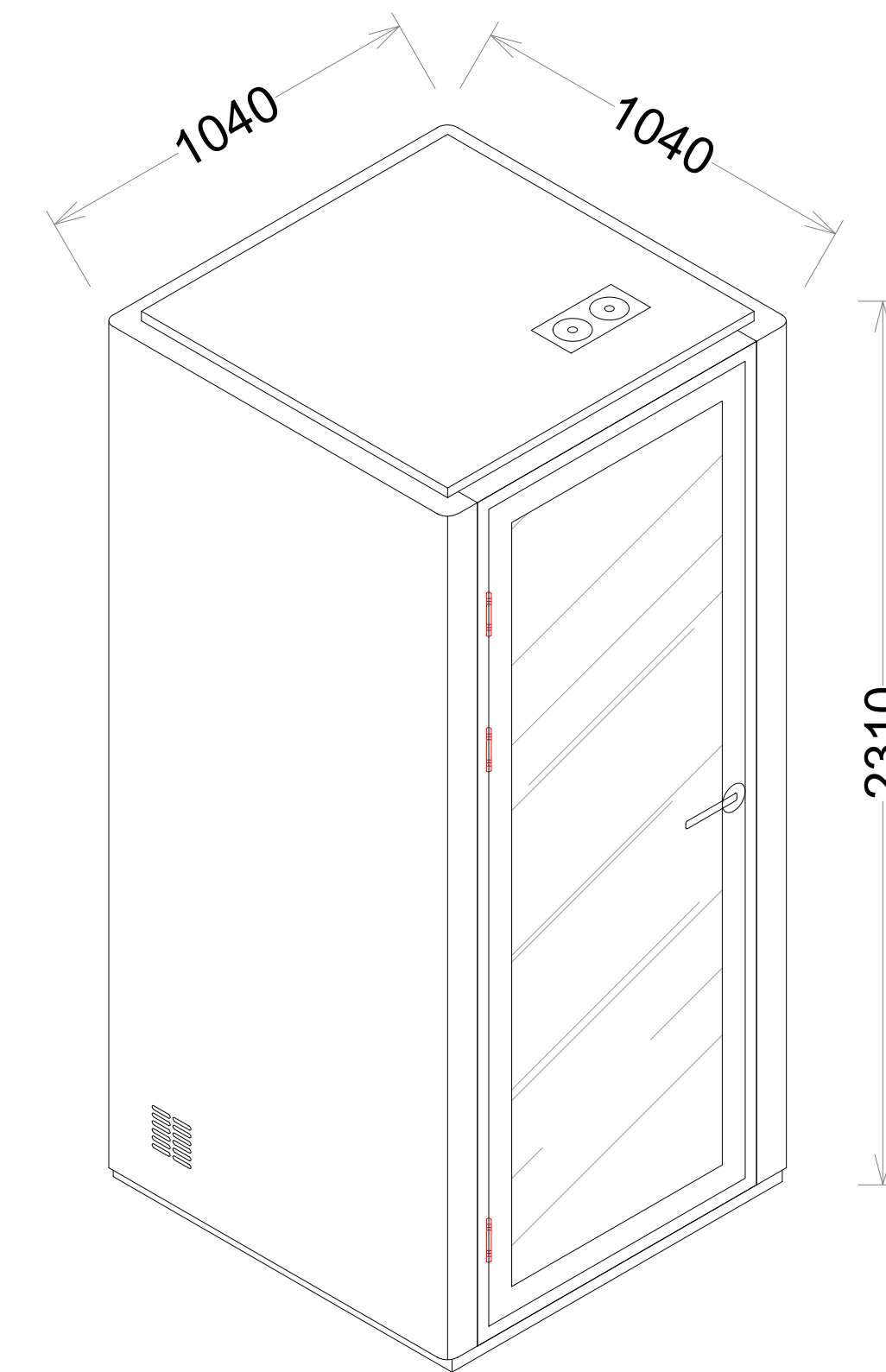
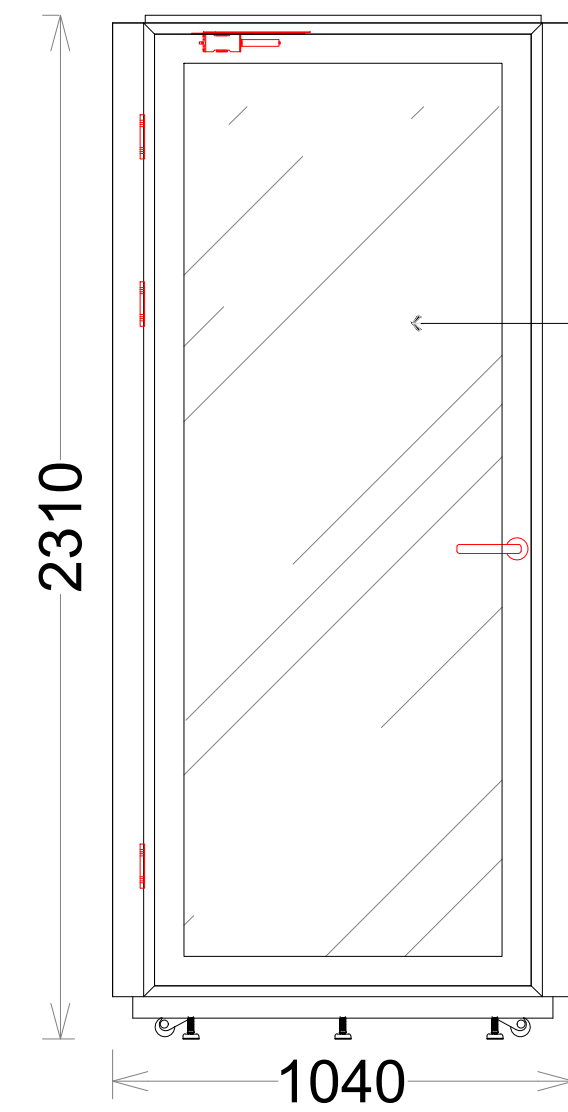


S pod
 Exterior size: 1040*1040*2310mm
 Interior size: 900*900*2160mm

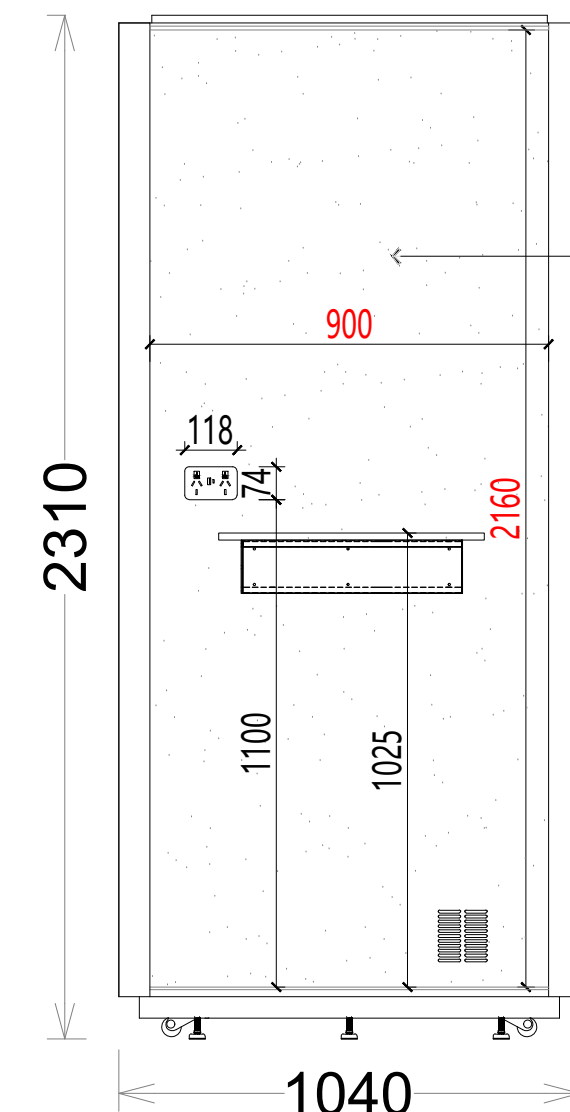
Exterior finishes:\n
 Interior finishes: \n
 Carpet: \n
 Table: \n



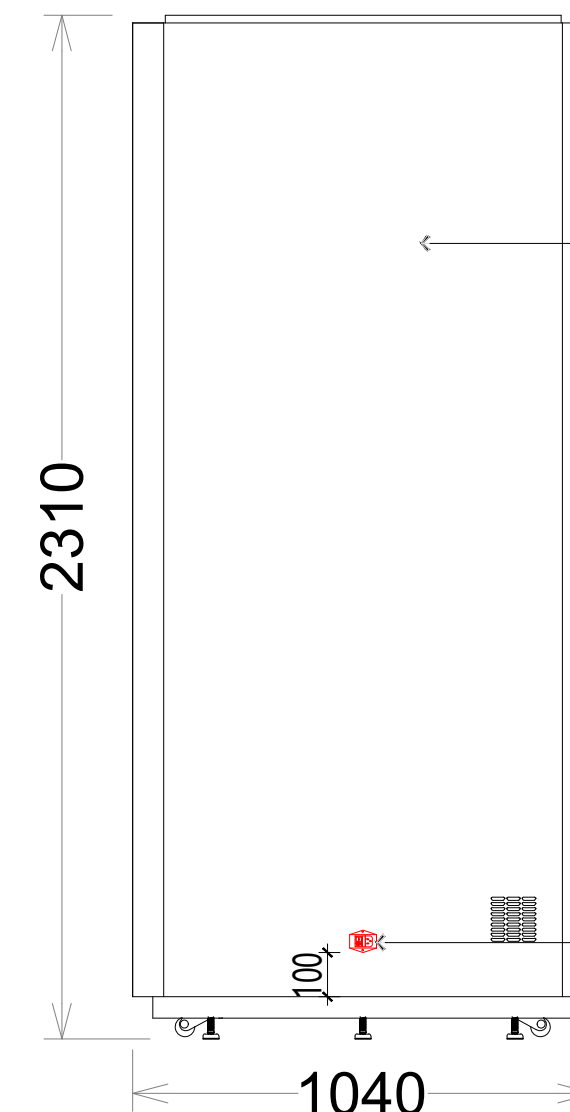
S pod 3D perspective drawing



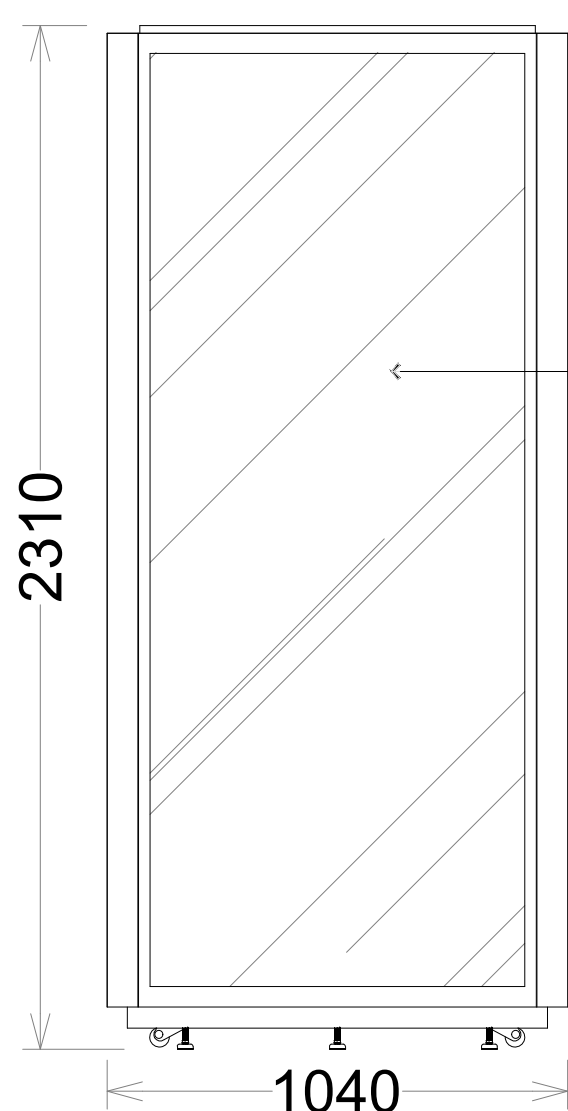
01 ELEVATION-Front wall



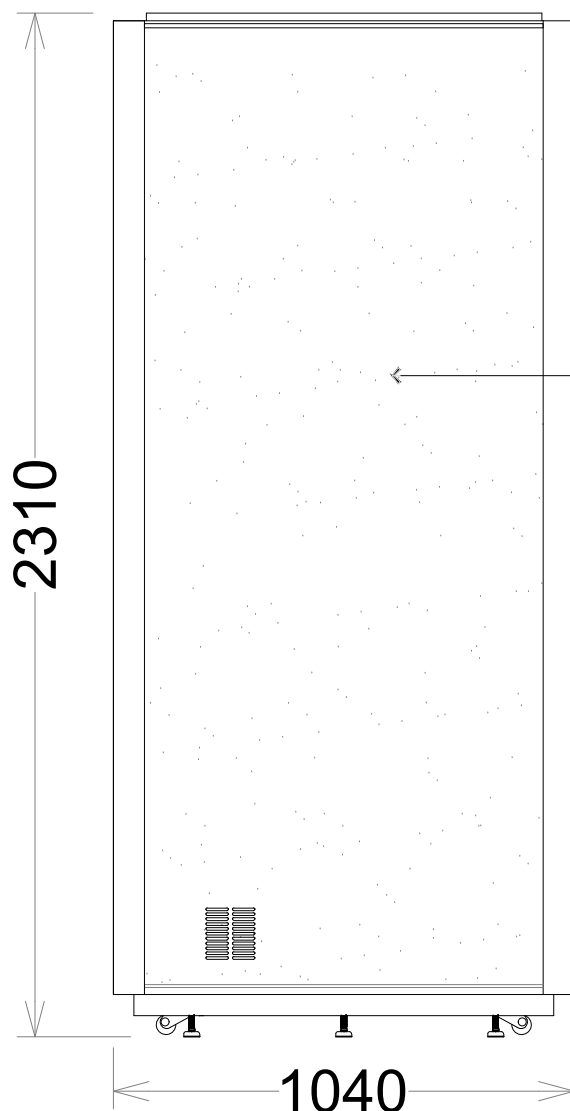
02 ELEVATION-Right wall



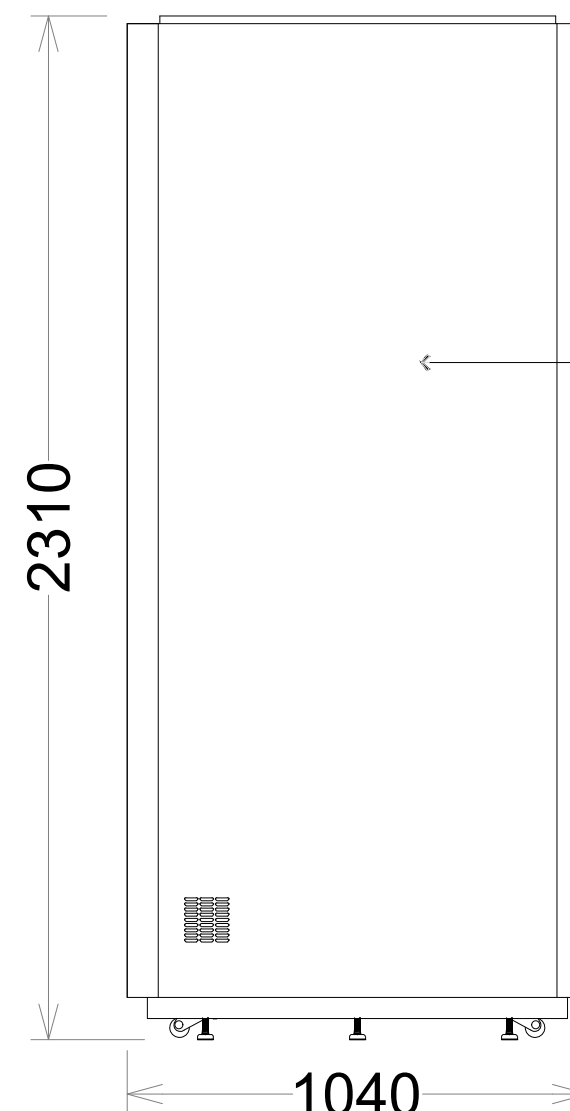
02 ELEVATION-Right wall



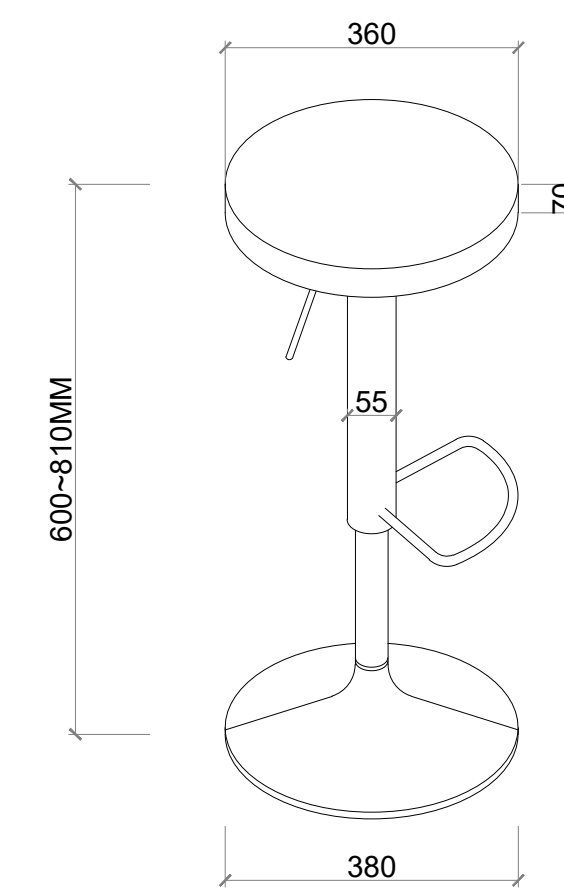
03 ELEVATION-Back wall



04 ELEVATION-Left wall



04 ELEVATION-Left wall



Chair size drawing

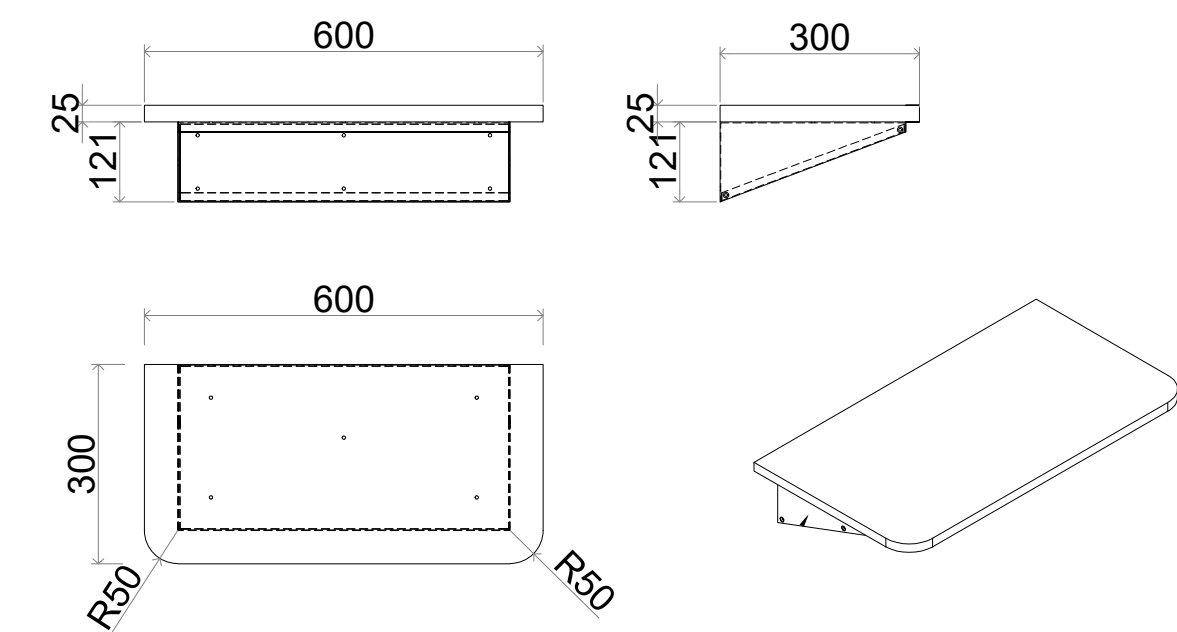


Table size drawing