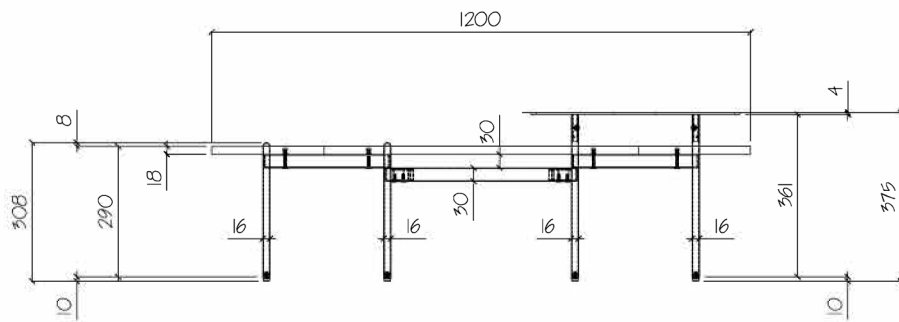
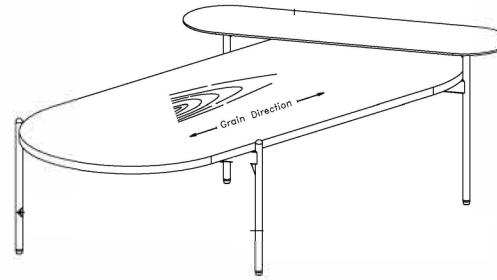
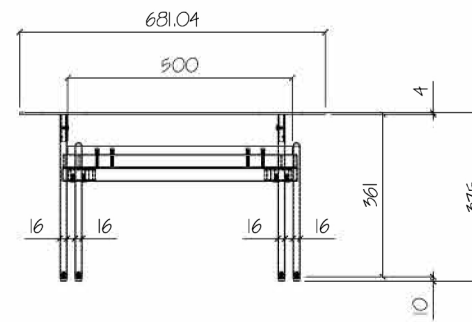


TOP VIEW



FRONT VIEW



SIDE VIEW

NIDO OVAL

DIMENSION.

W1 200 x D500 x H375

SCALE. 1:

18