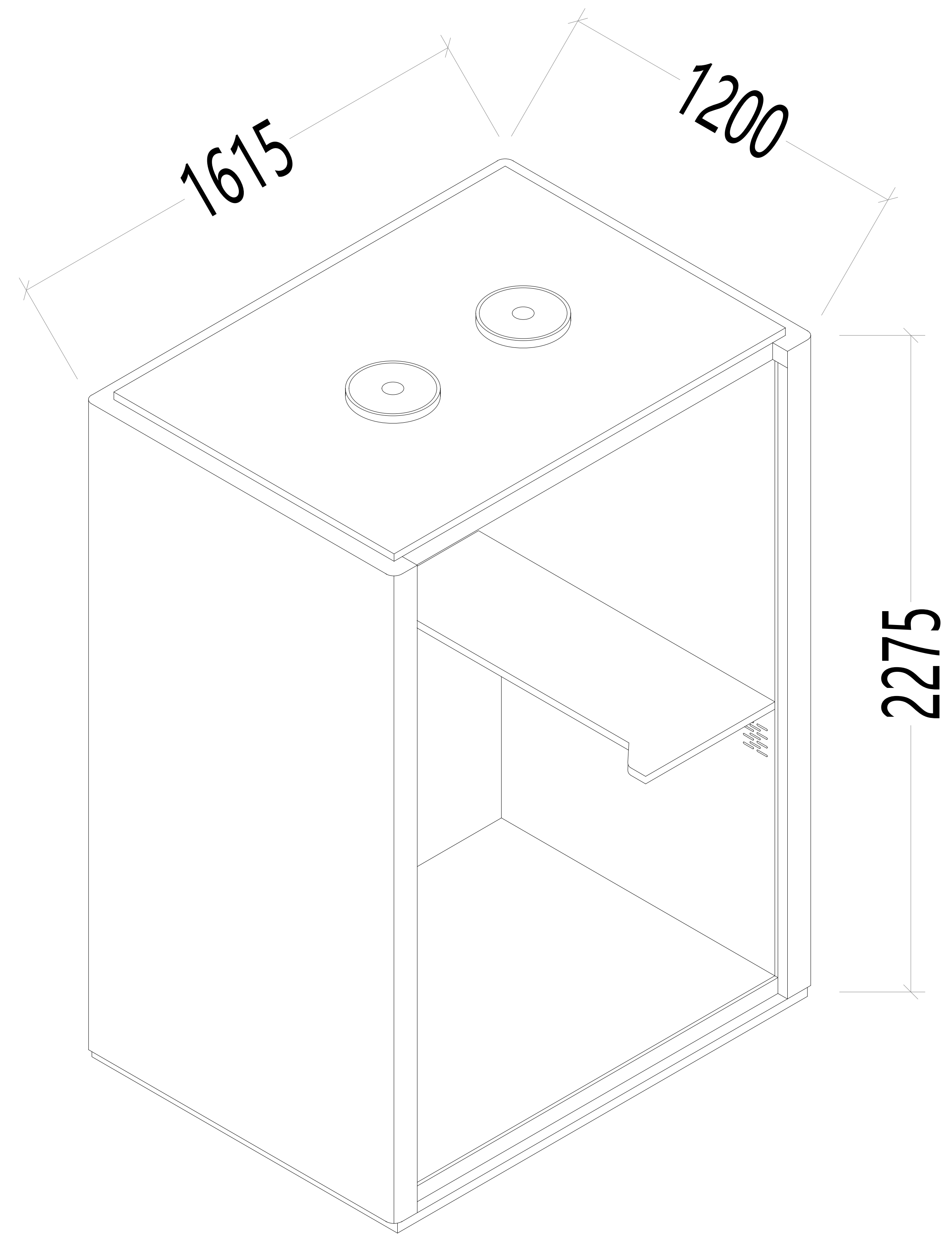
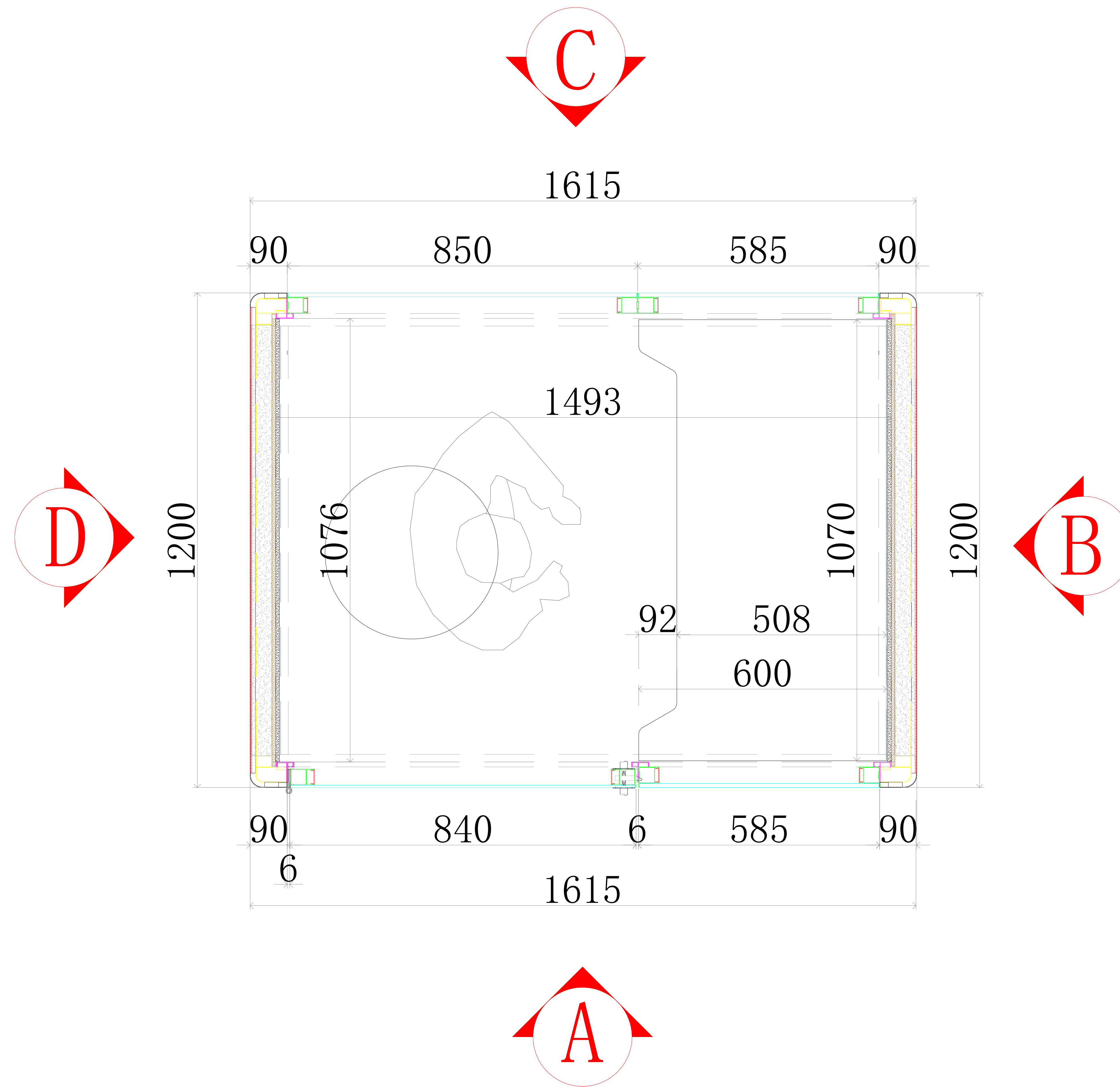


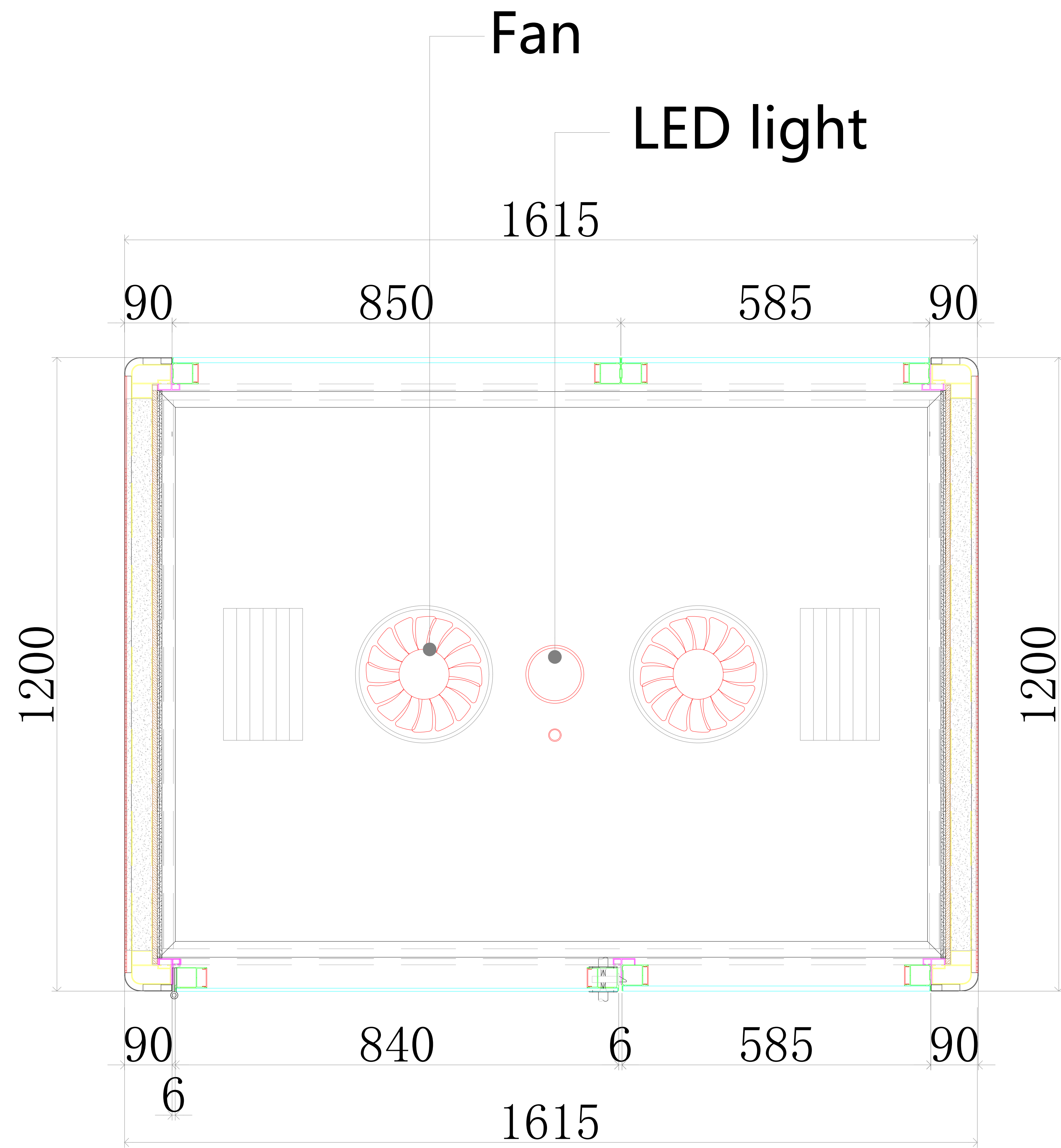
M pod 3D perspective drawing



M pod 3D perspective drawing



Layout Plan (Index)



Fan

LED light

1615

90

850

585

90

1200

1200

90

840

6

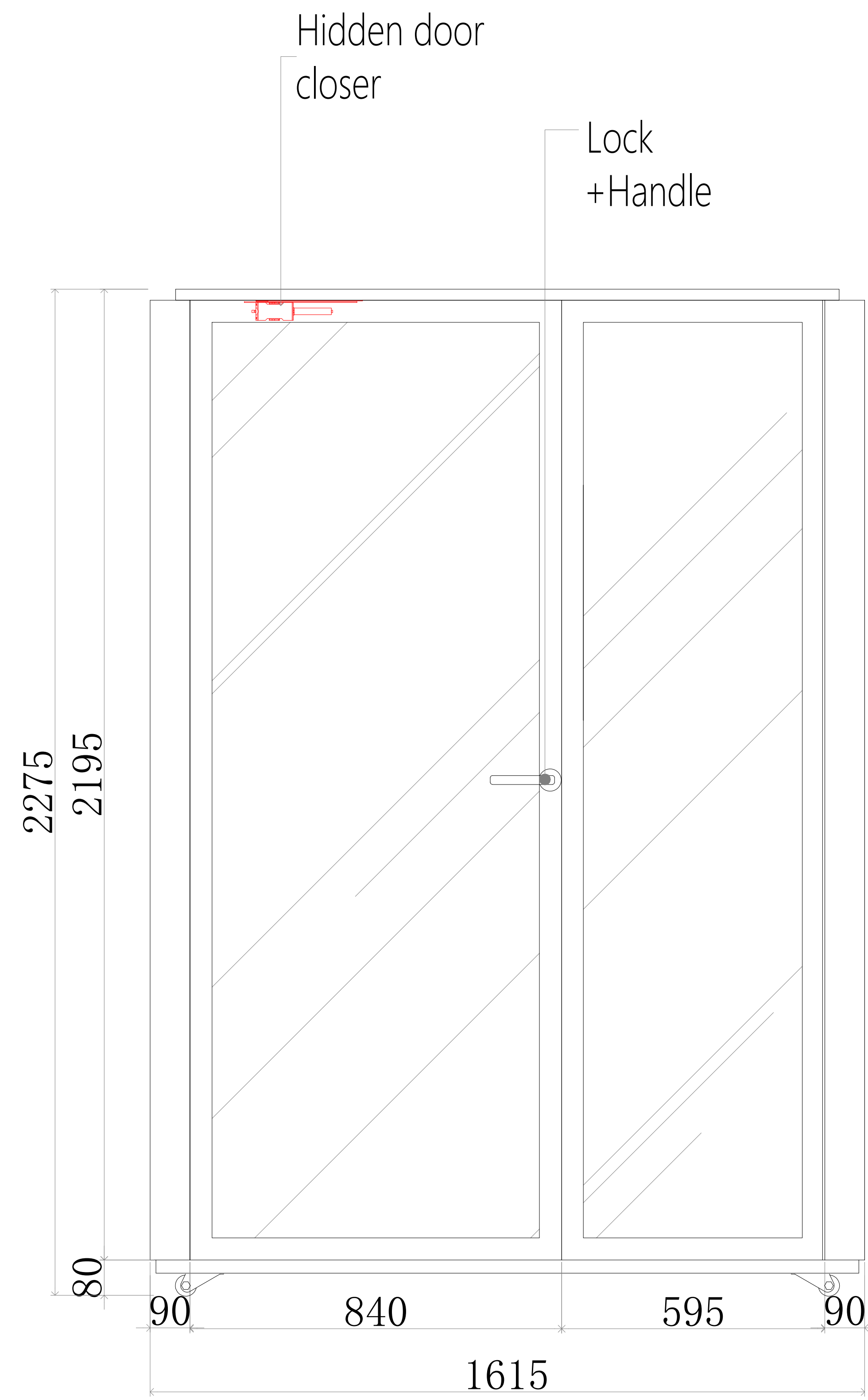
585

90

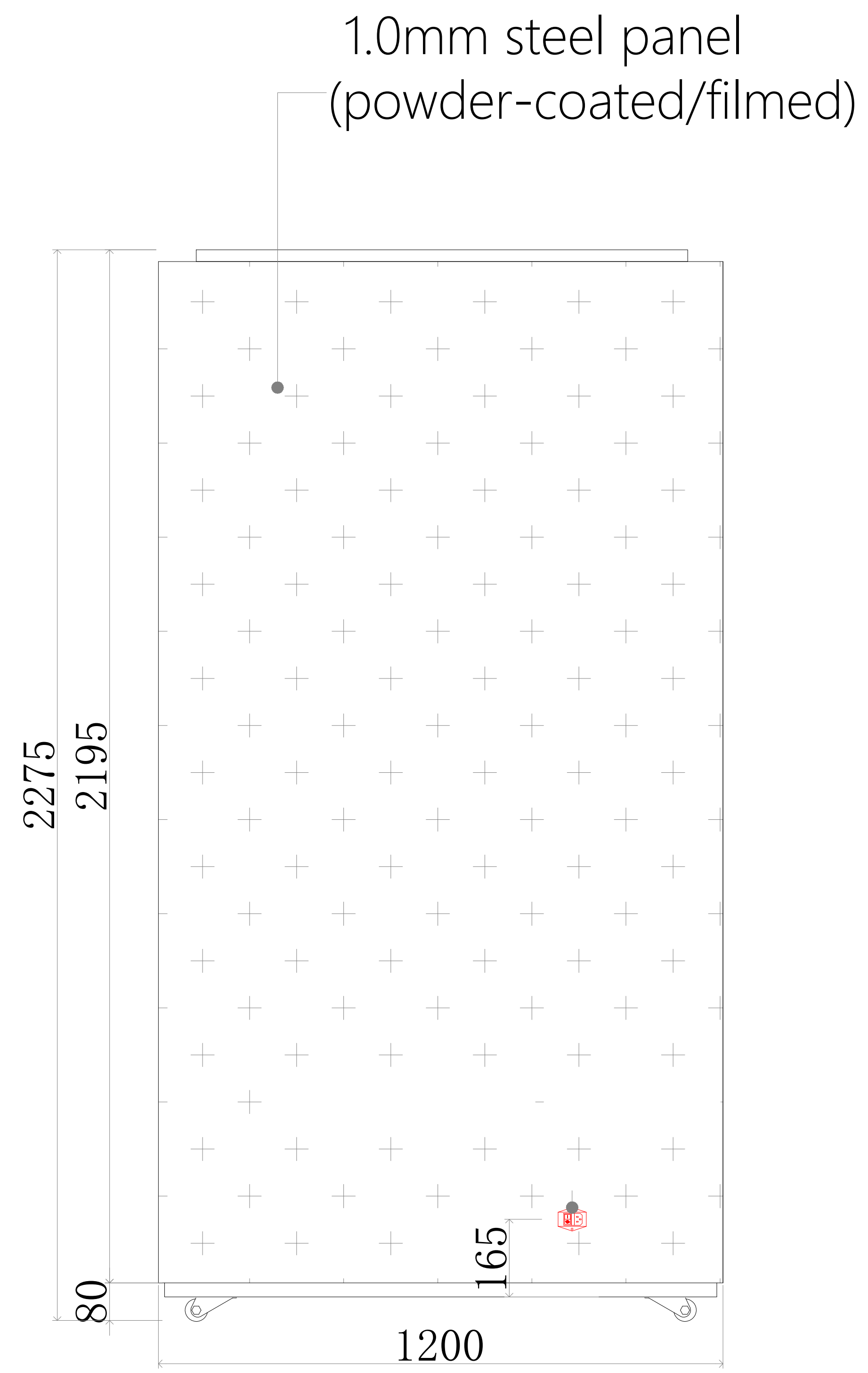
6

1615

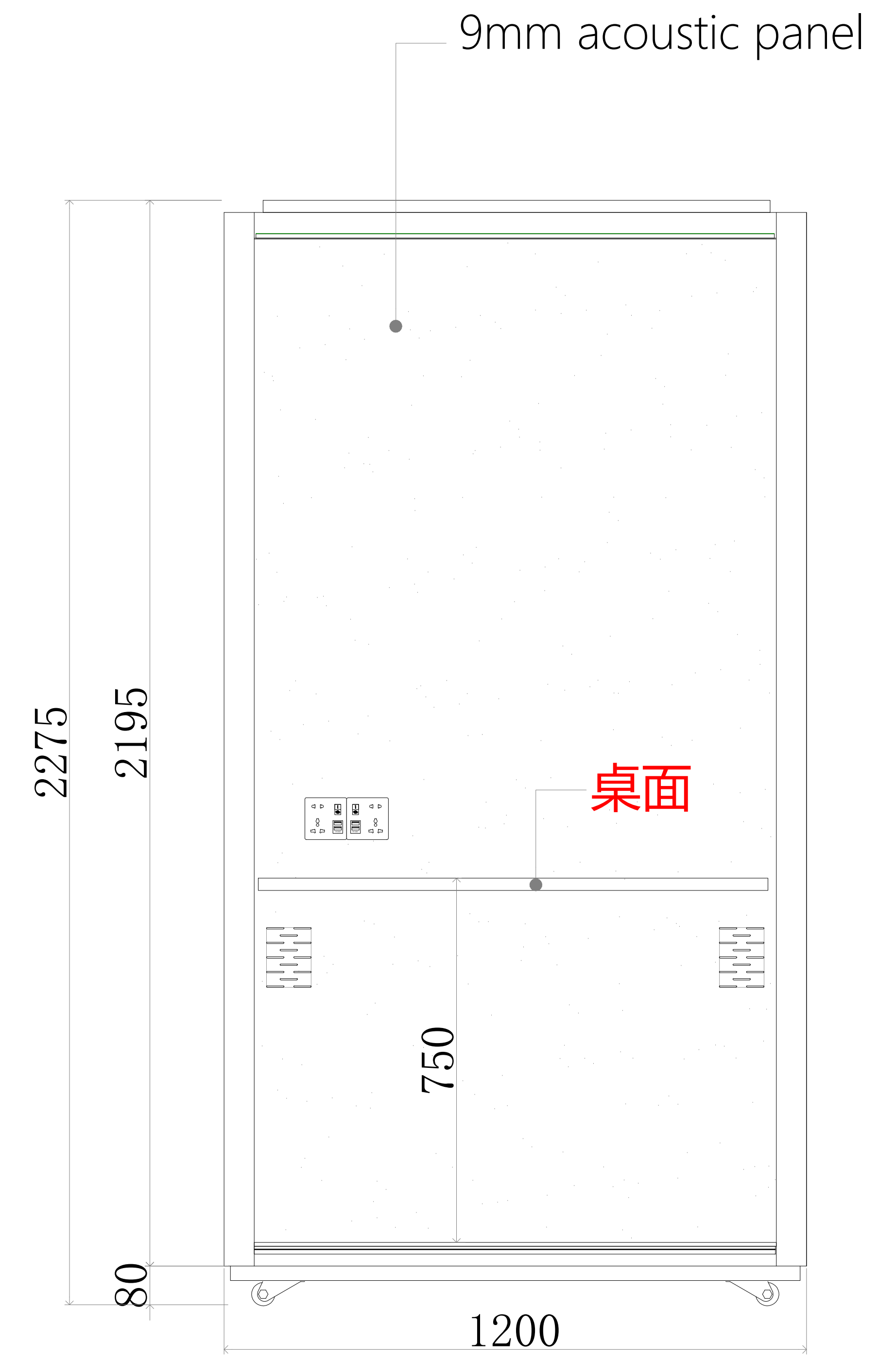
Ceiling drawing



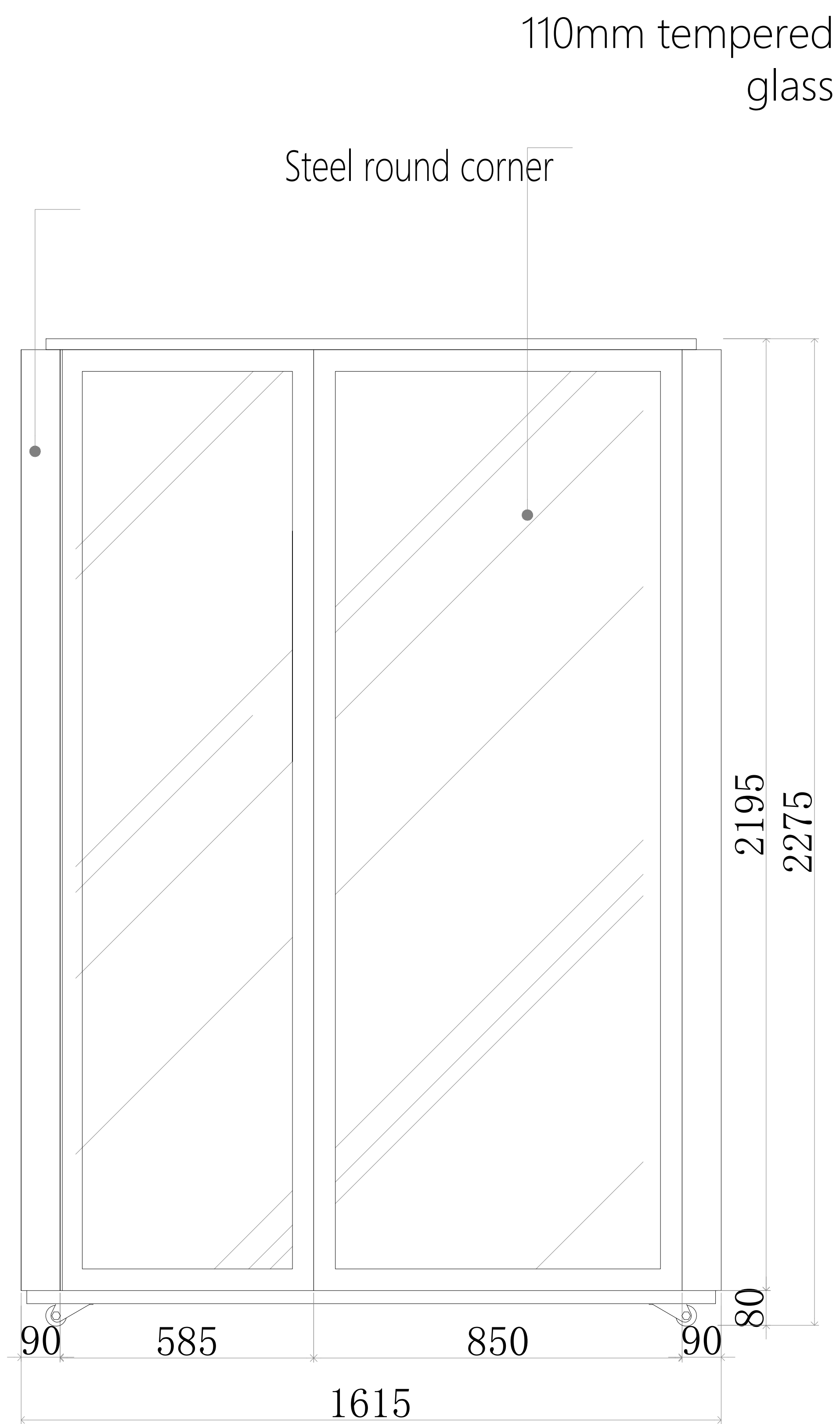
Wall A-Exterior elevation



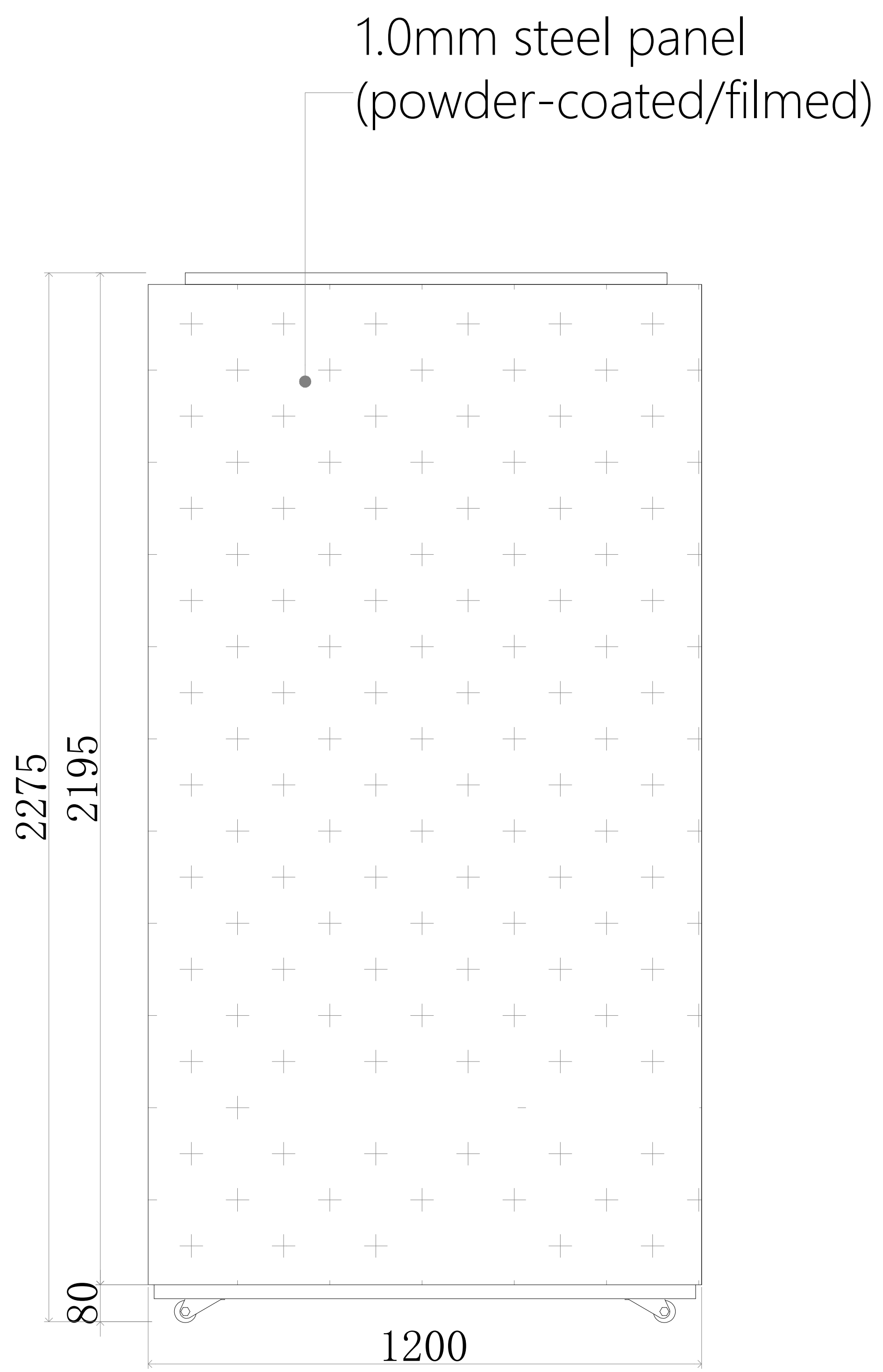
Wall B-Exterior elevation



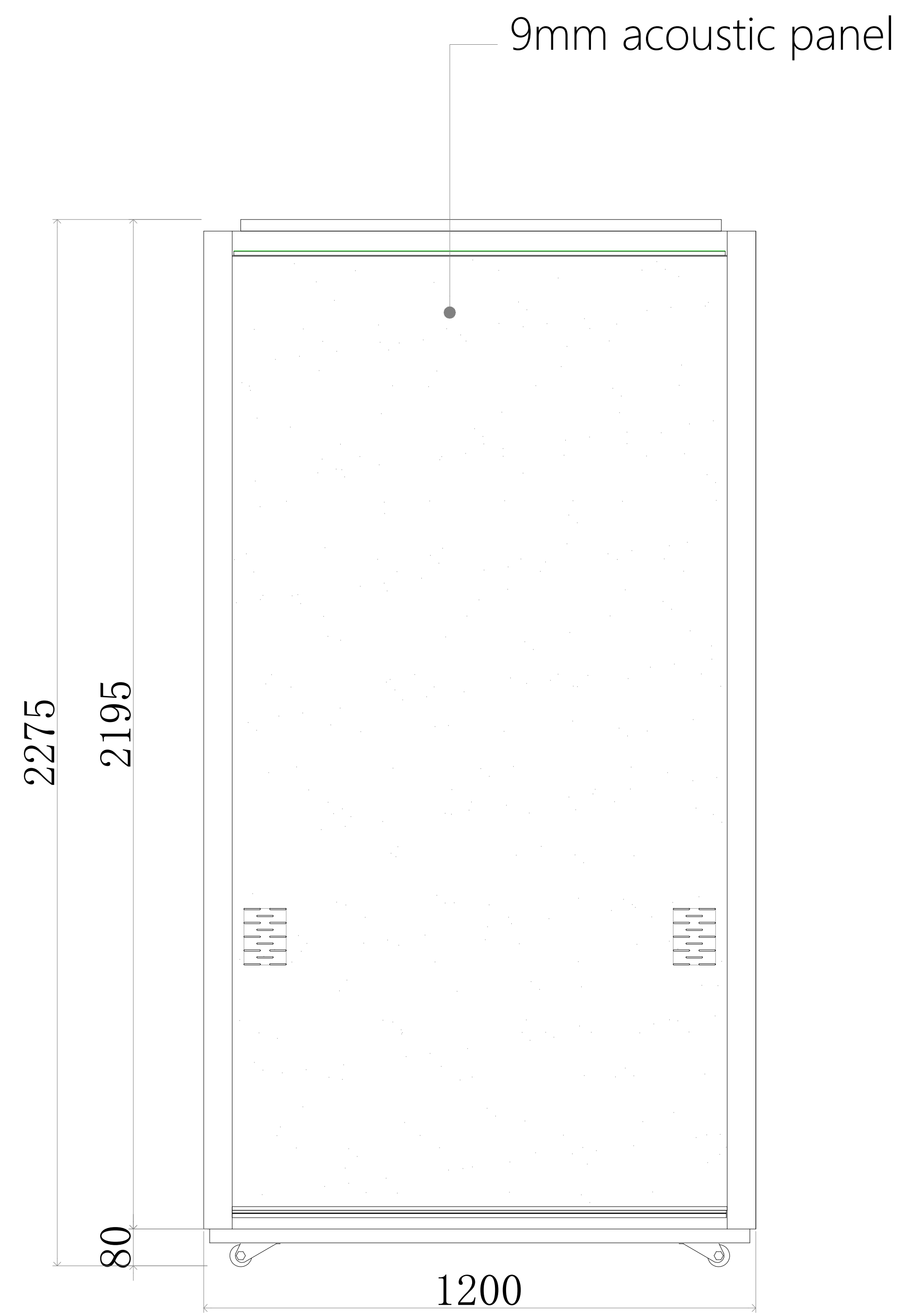
Wall B-Interior elevation



Wall C-Exterior elevation

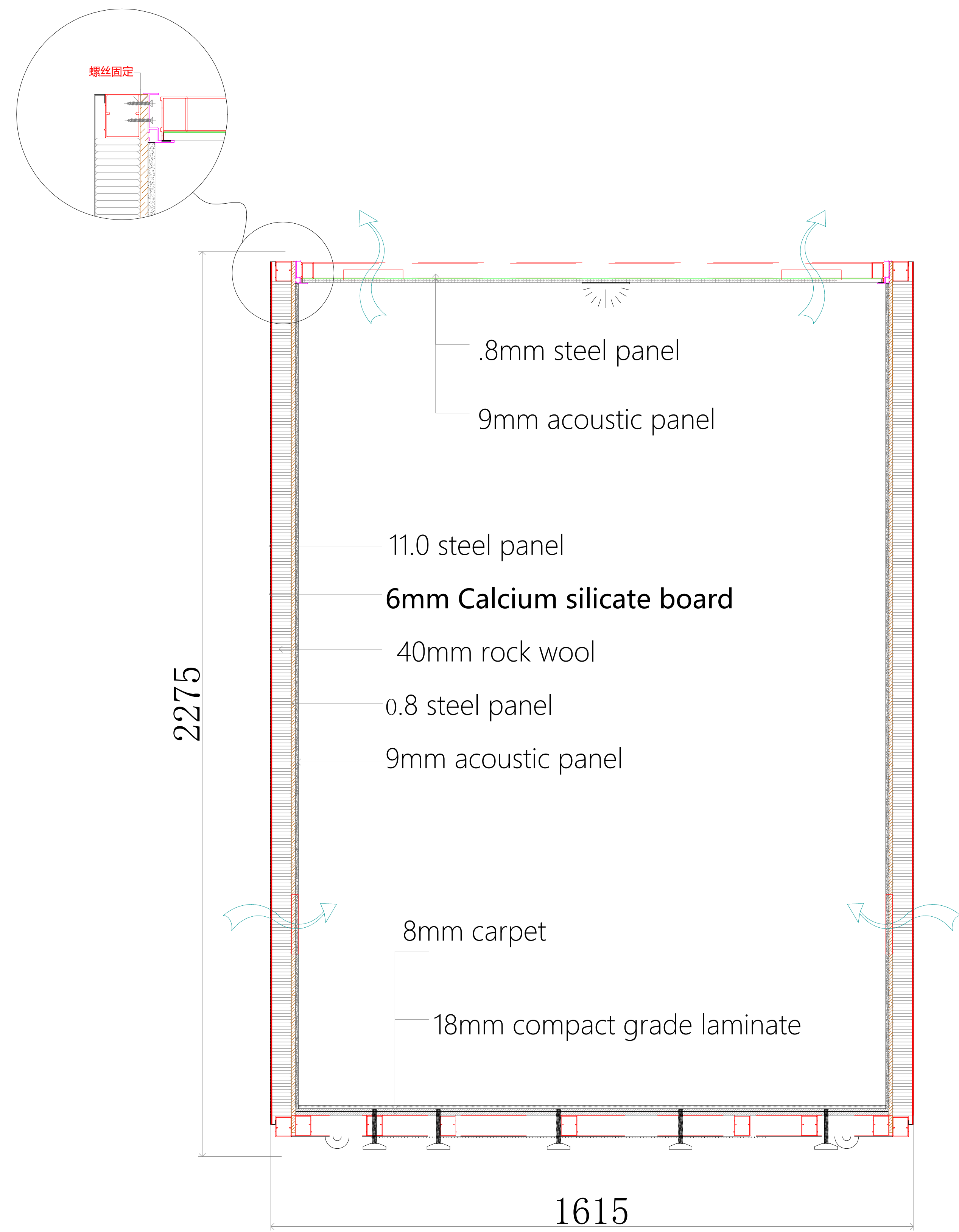


Wall D-Exterior elevation

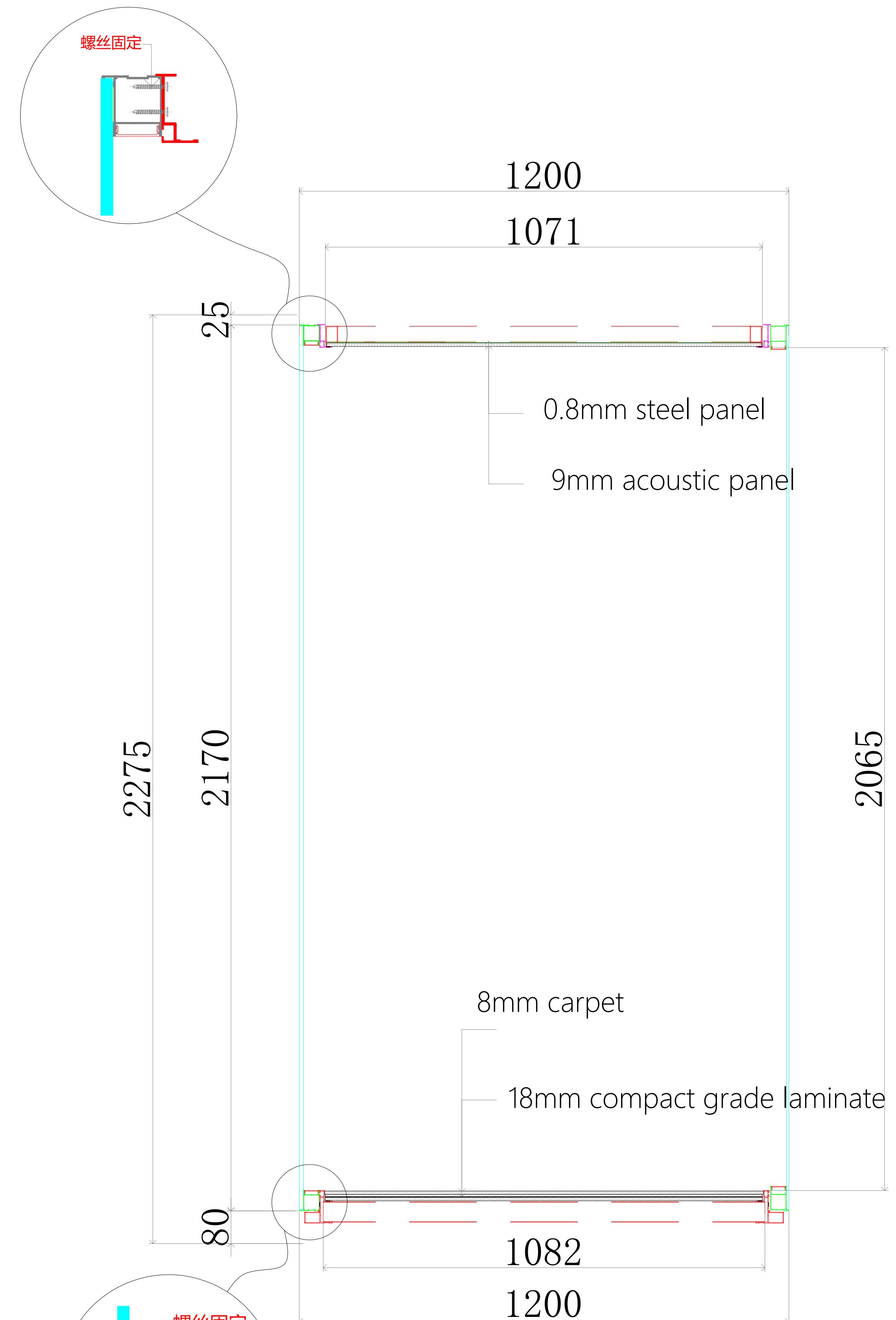


Wall D-Interior elevation

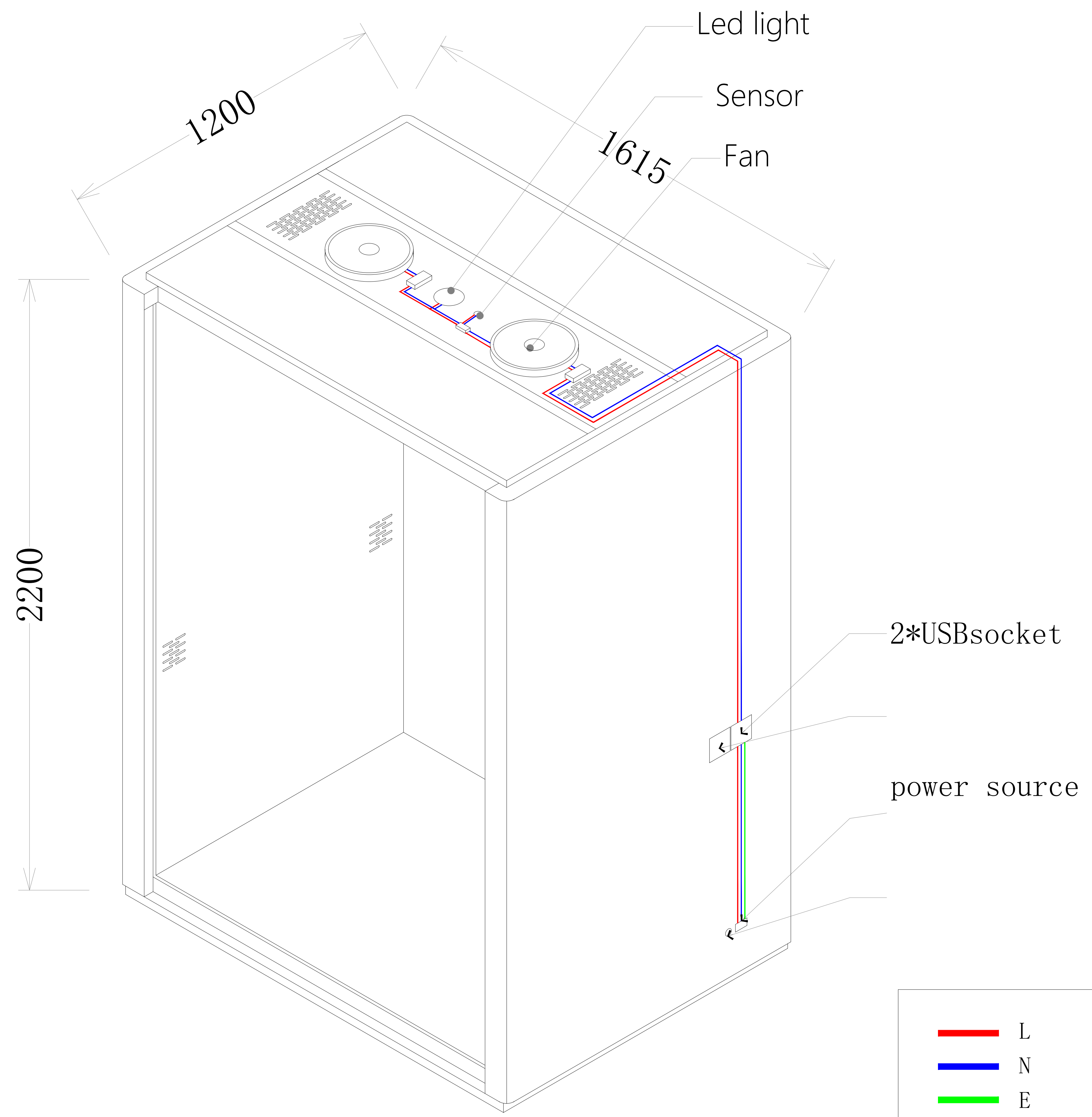
图例说明:



Front view section drawing



Side view section drawing



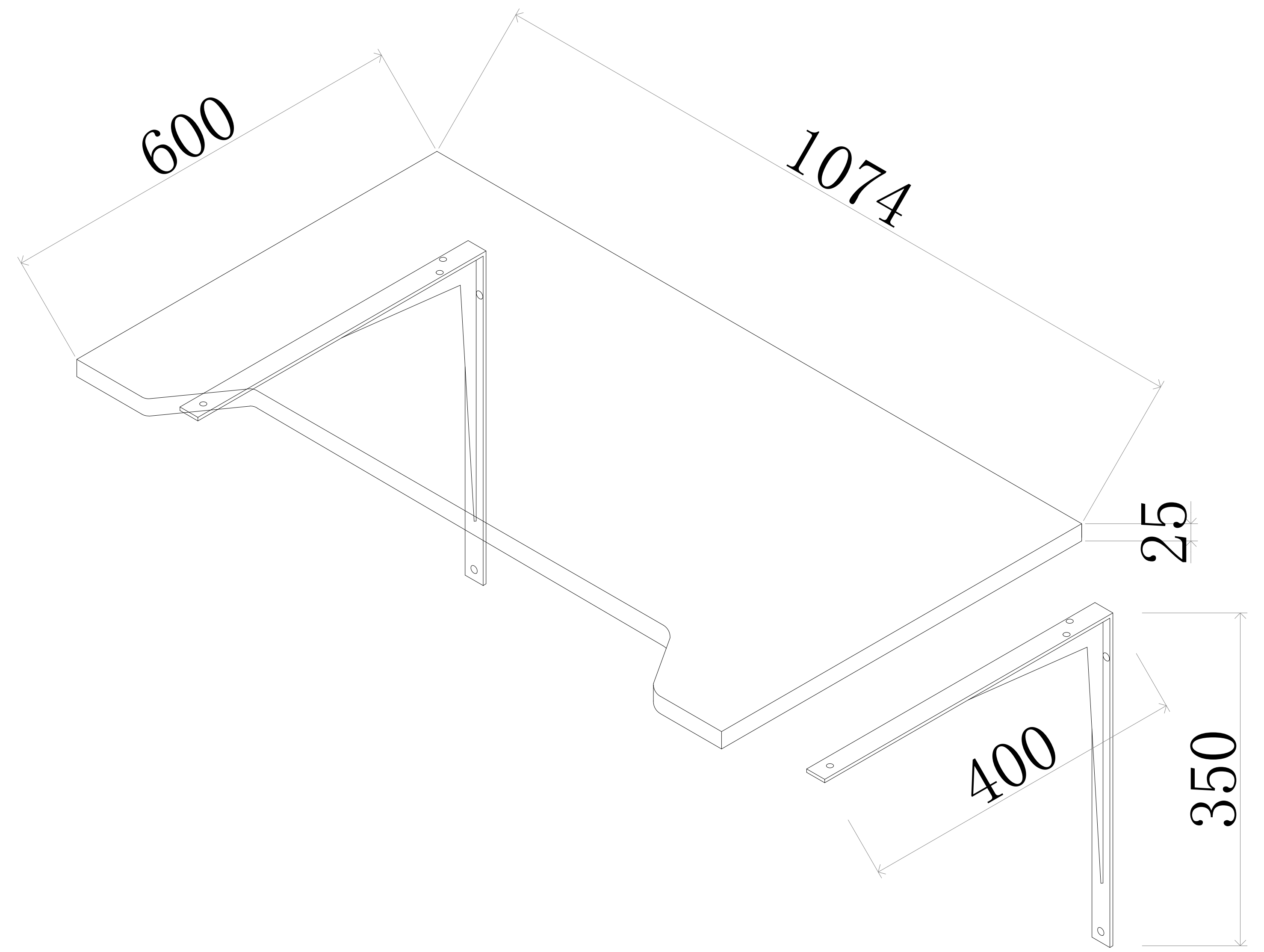
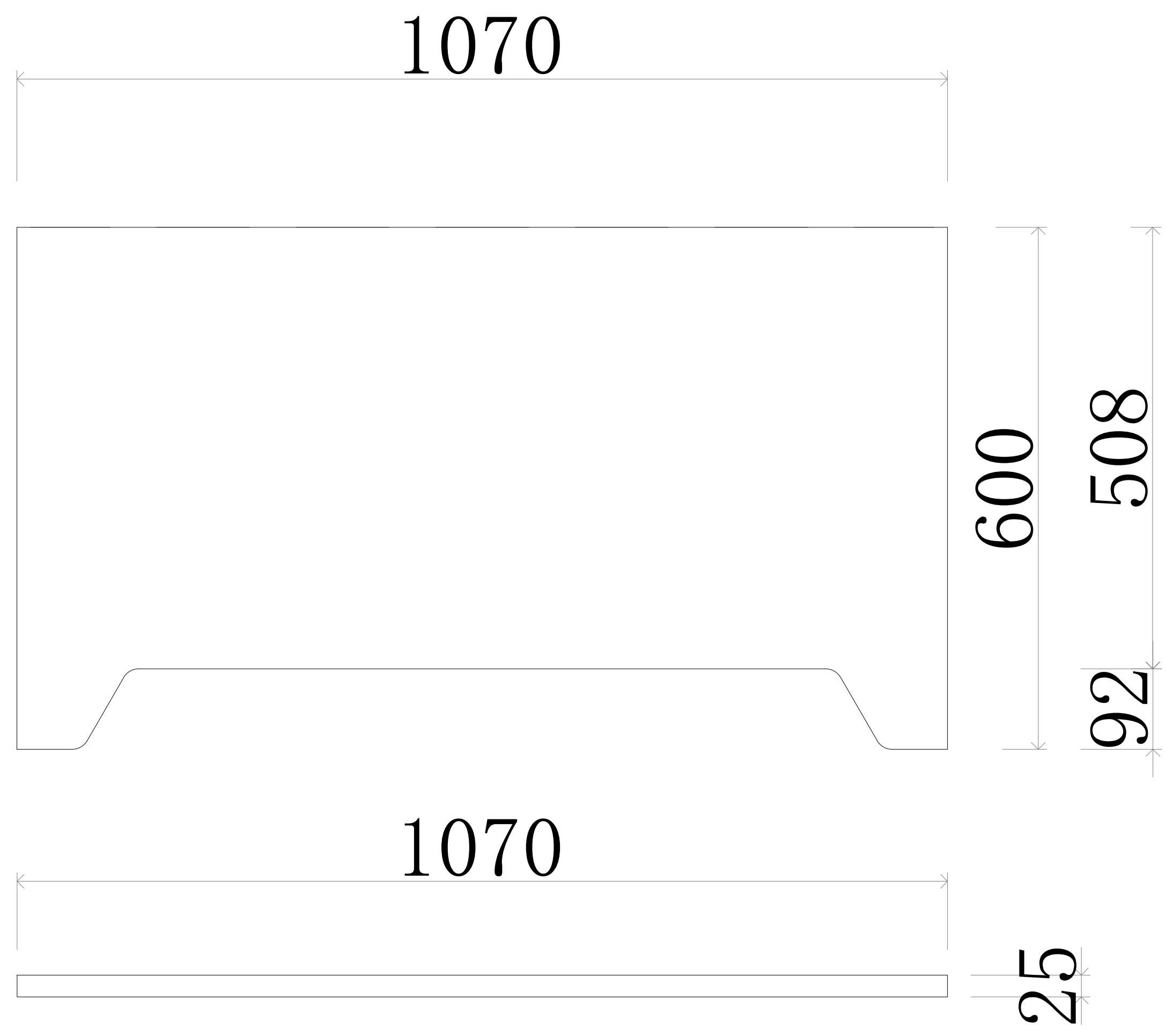


Table size drawing
