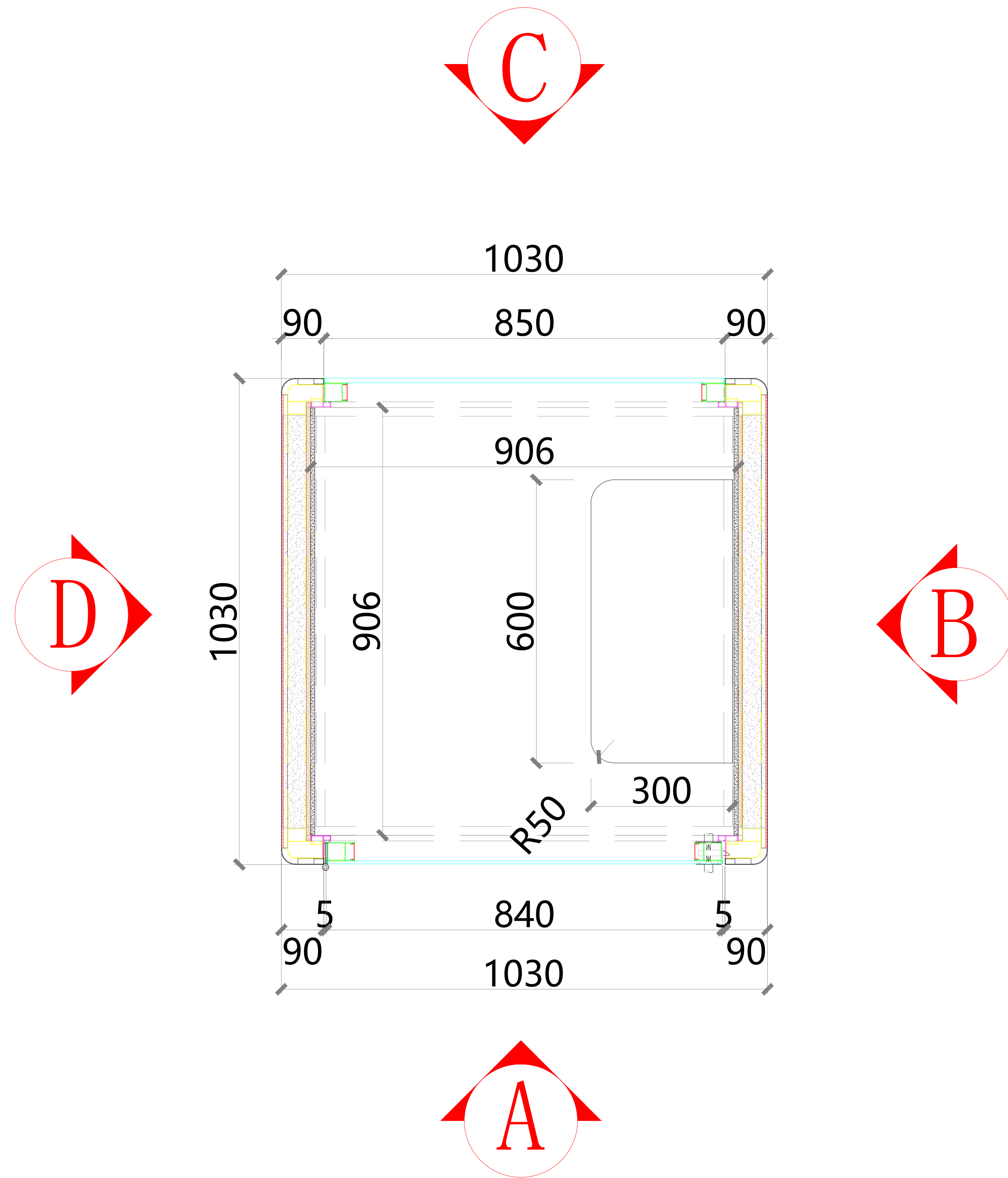
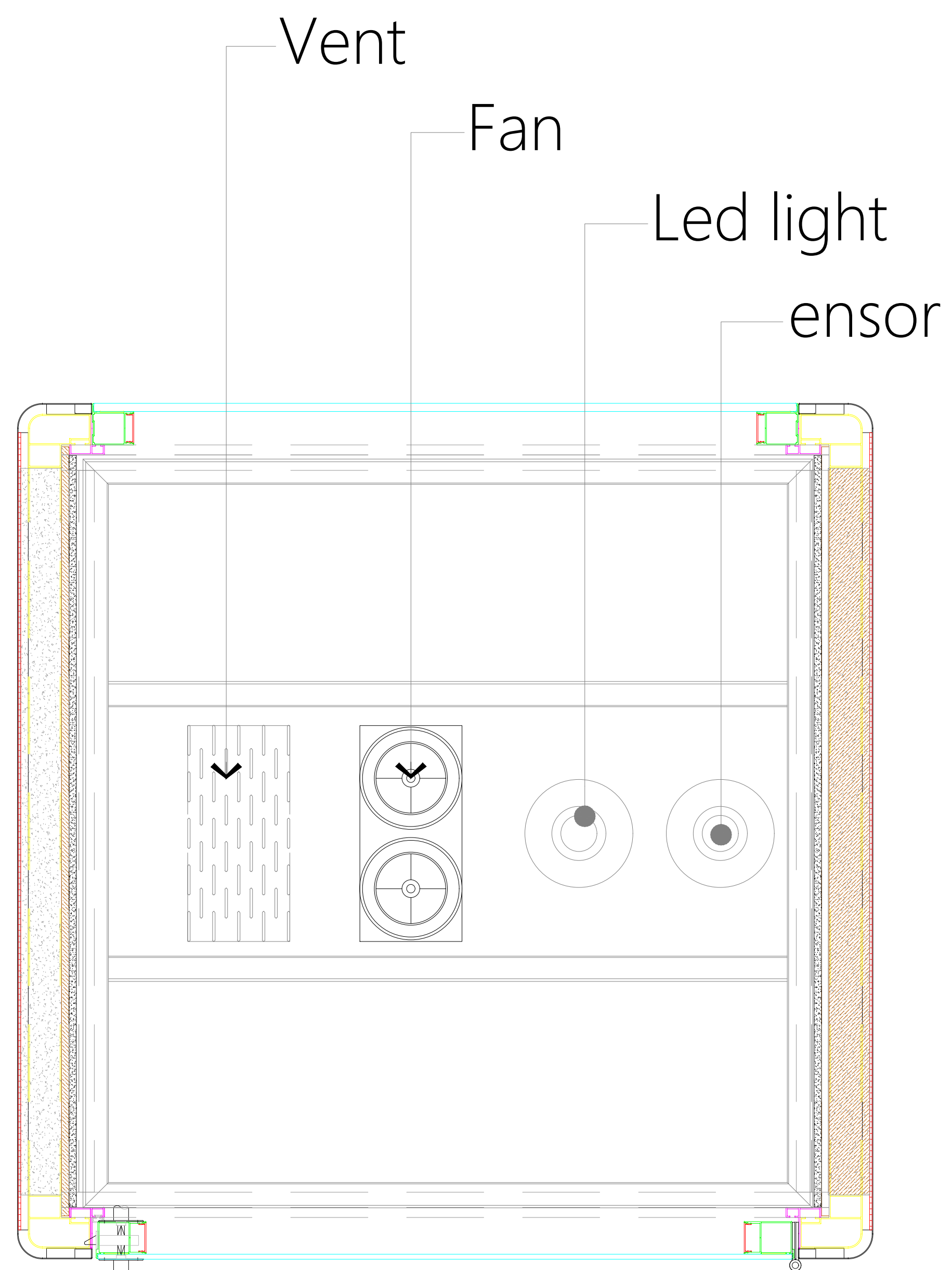


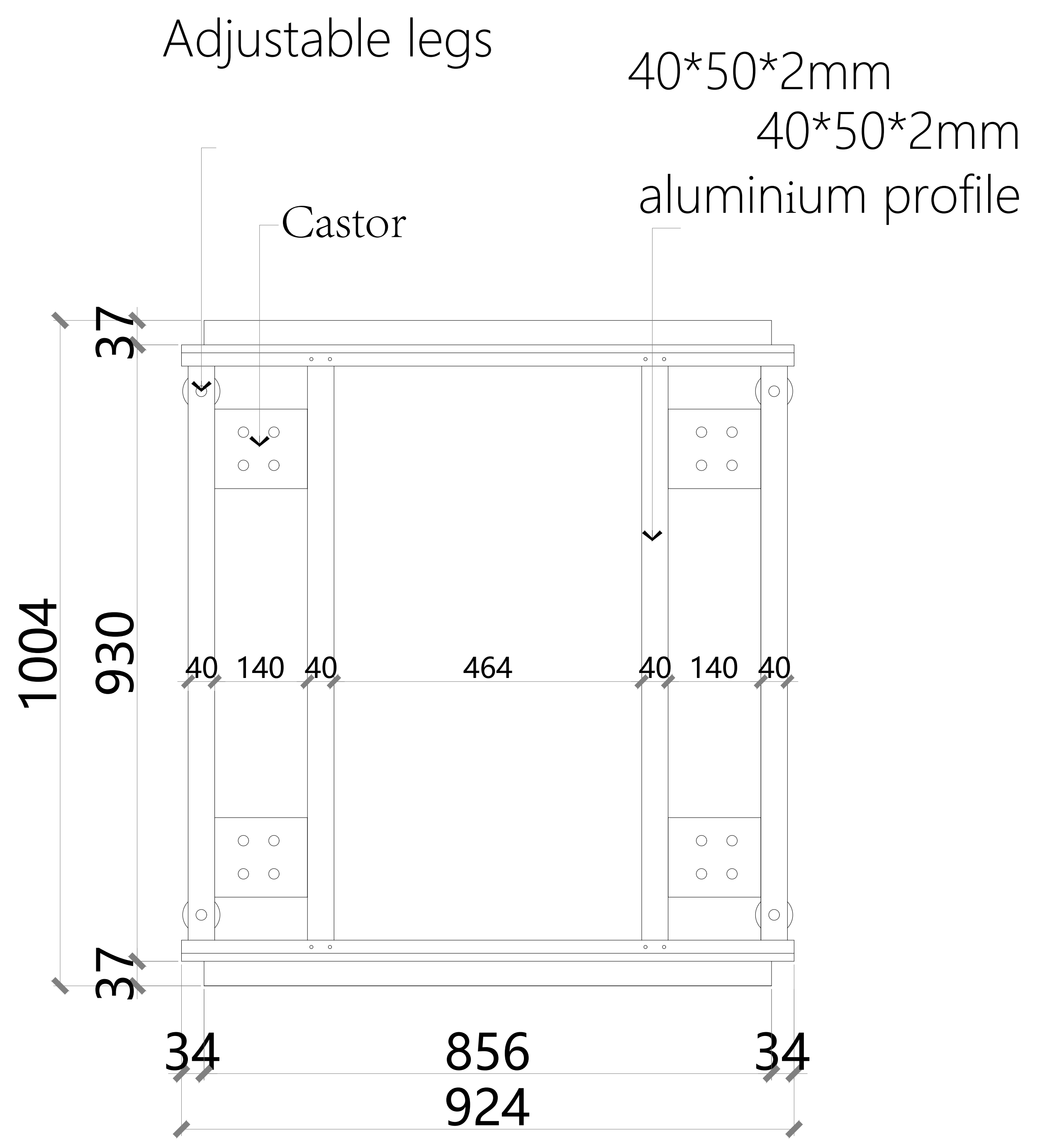
BQ-SPOD



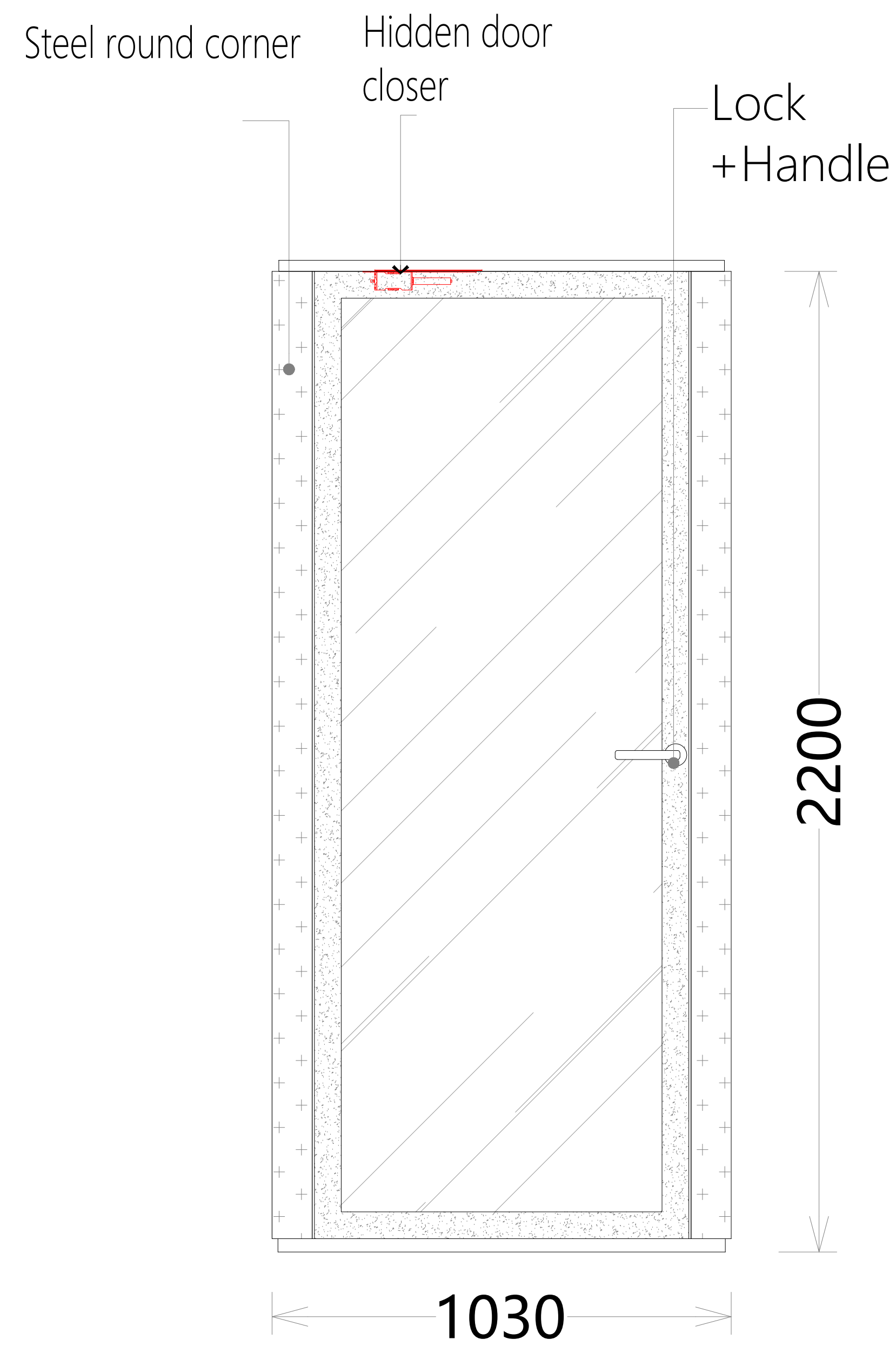
Layout Plan (Index)



Ceiling drawing

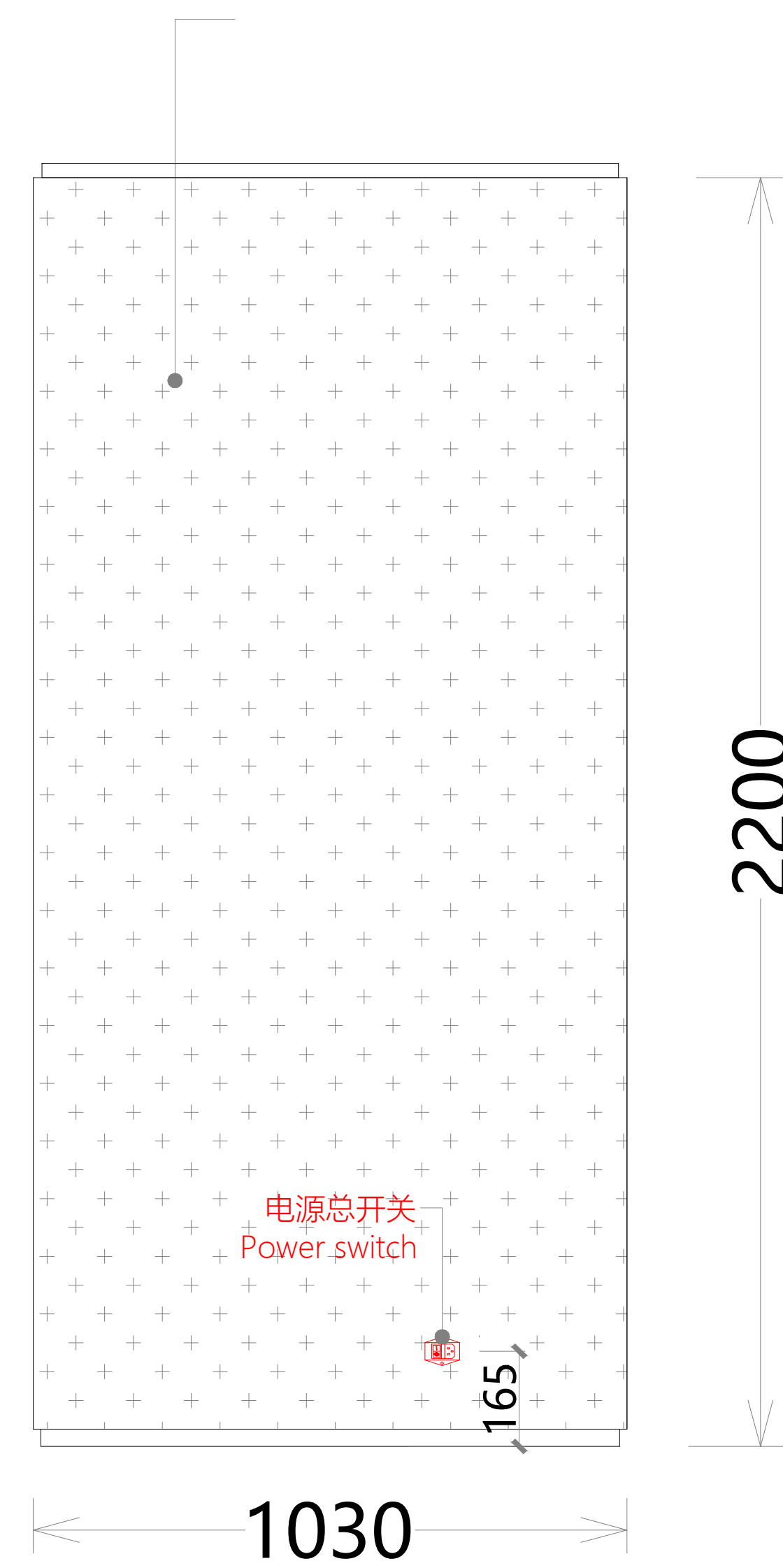


Bottom structure

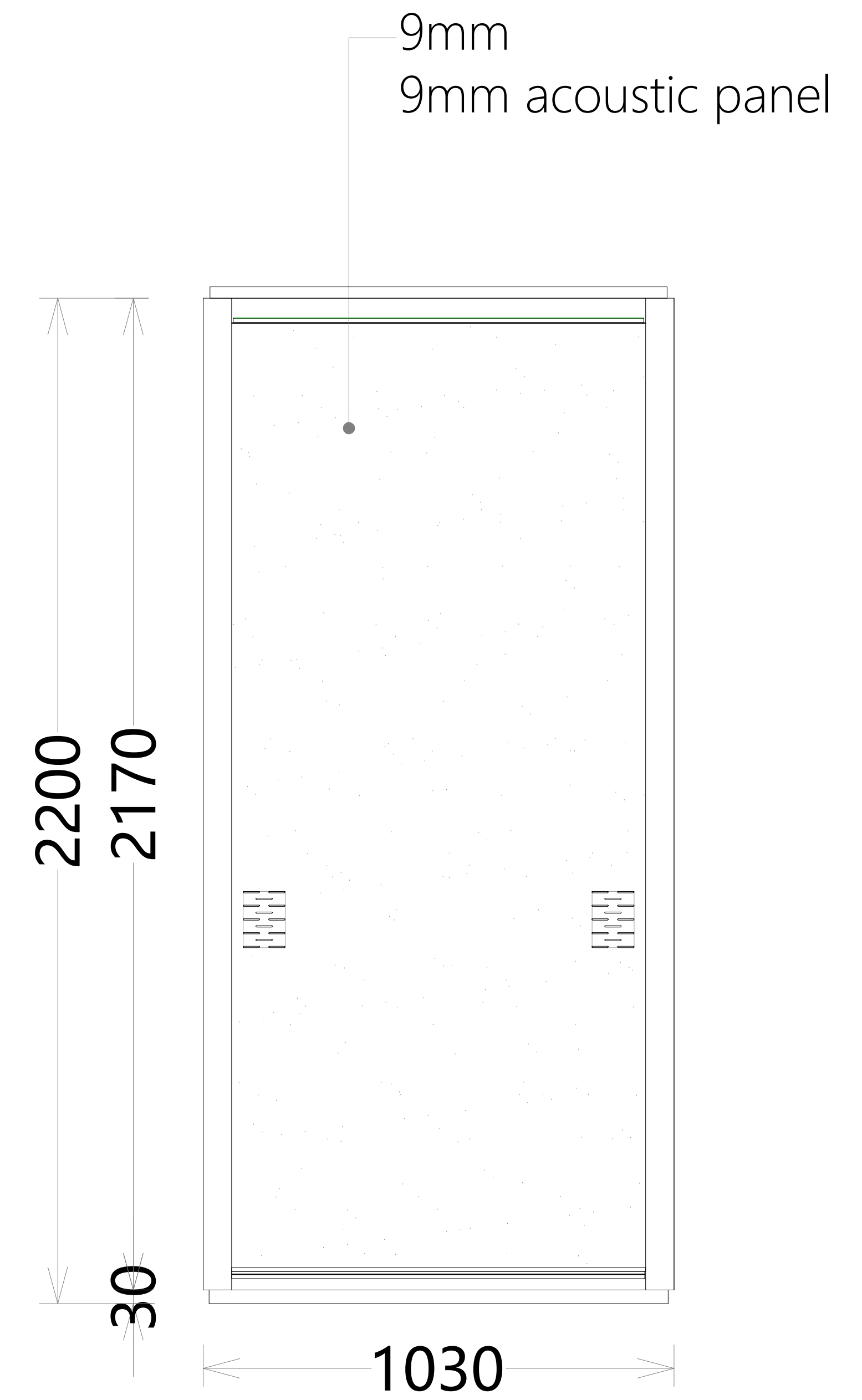


Wall A-Exterior elevation

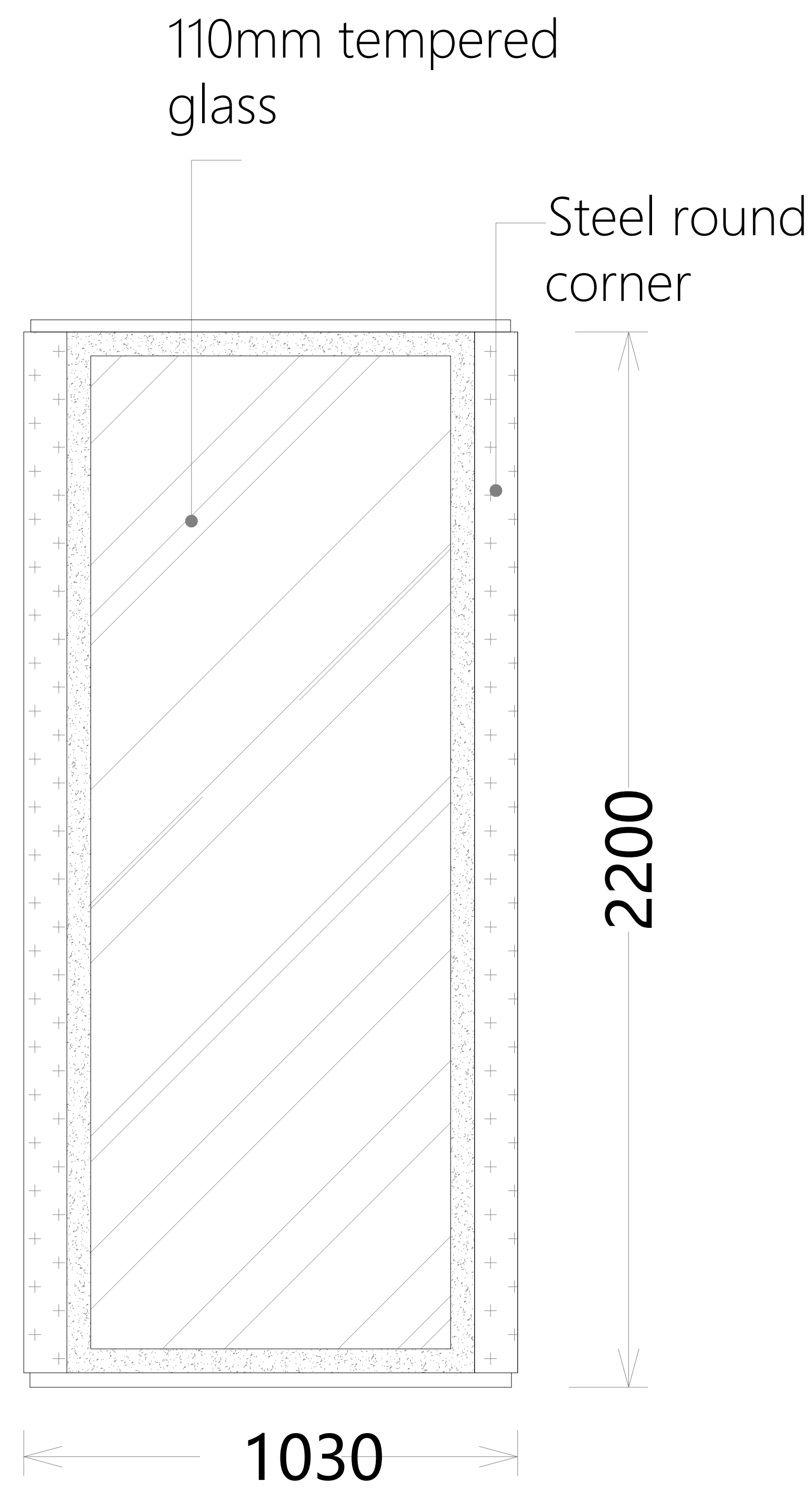
1.0mm) 1.0mm steel panel
(powder-coated/filmed)



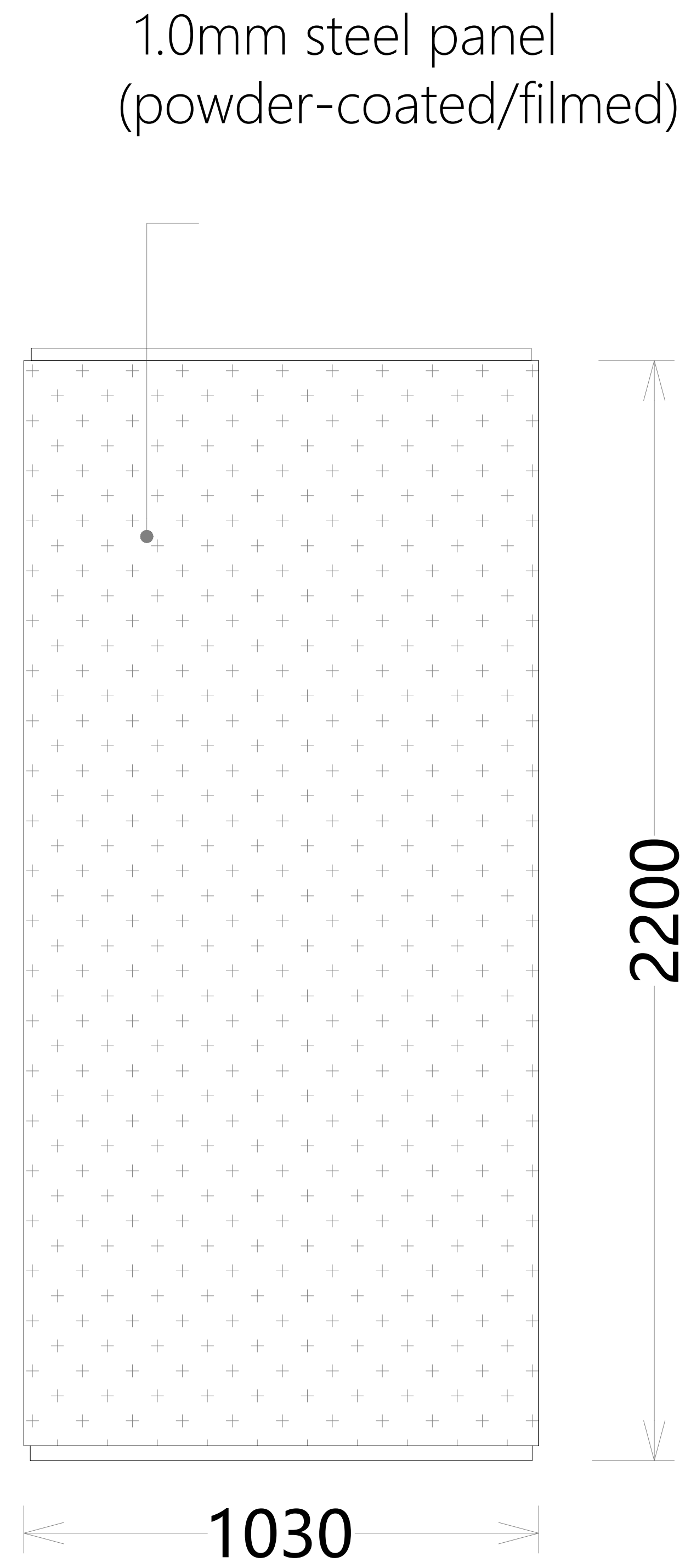
Wall B-Exterior elevation



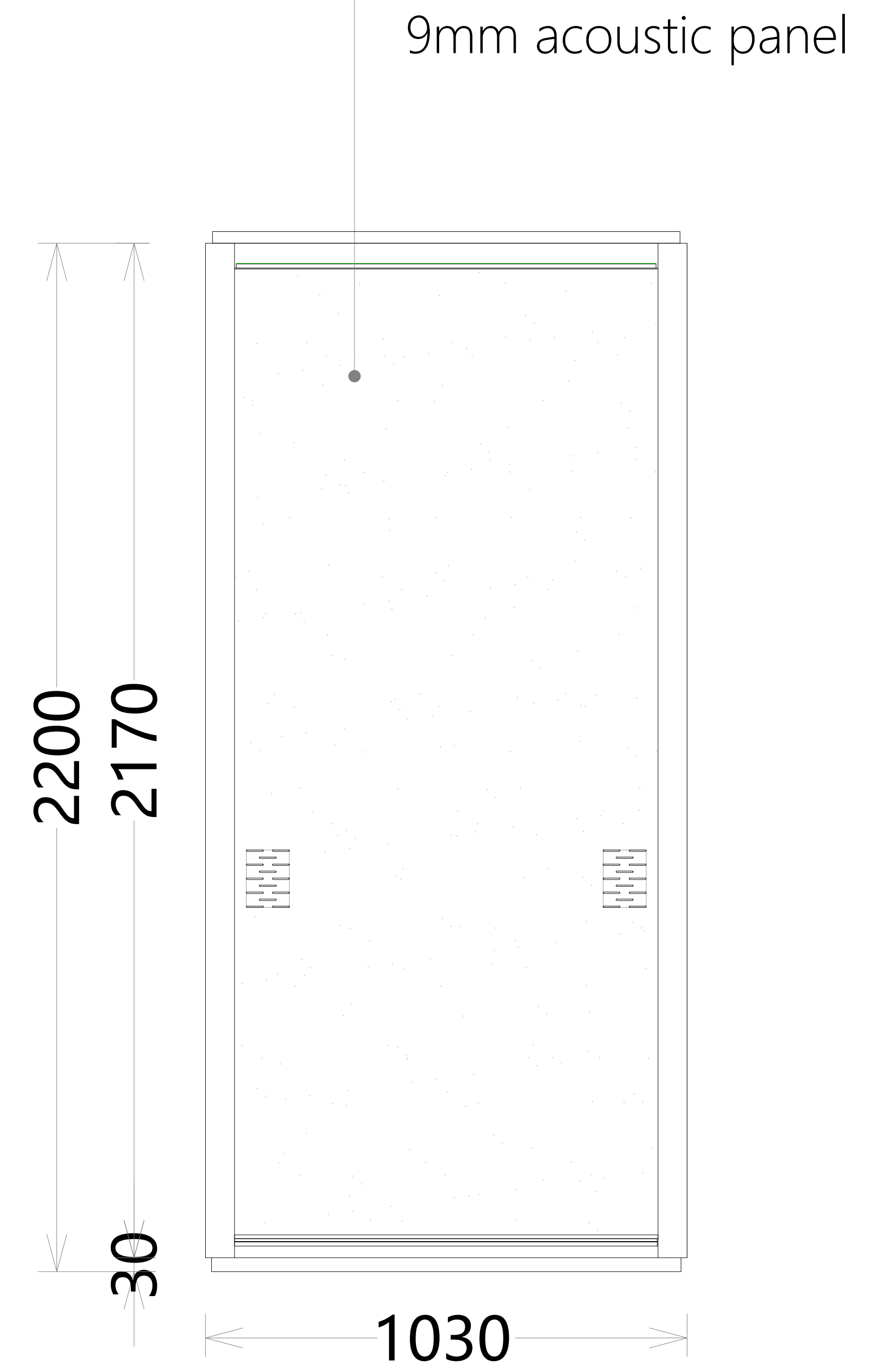
Wall B-Interior elevation



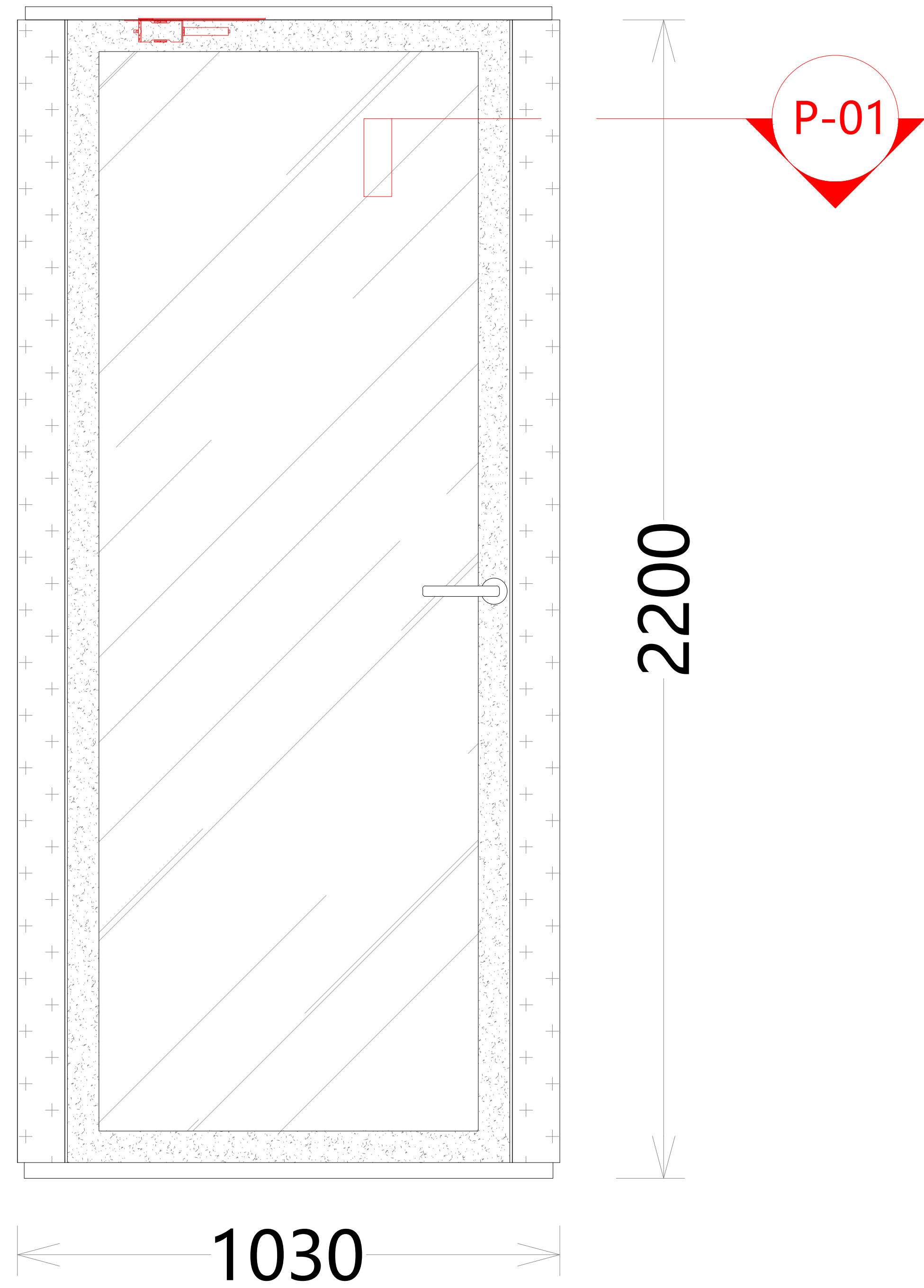
Wall C-Exterior elevation



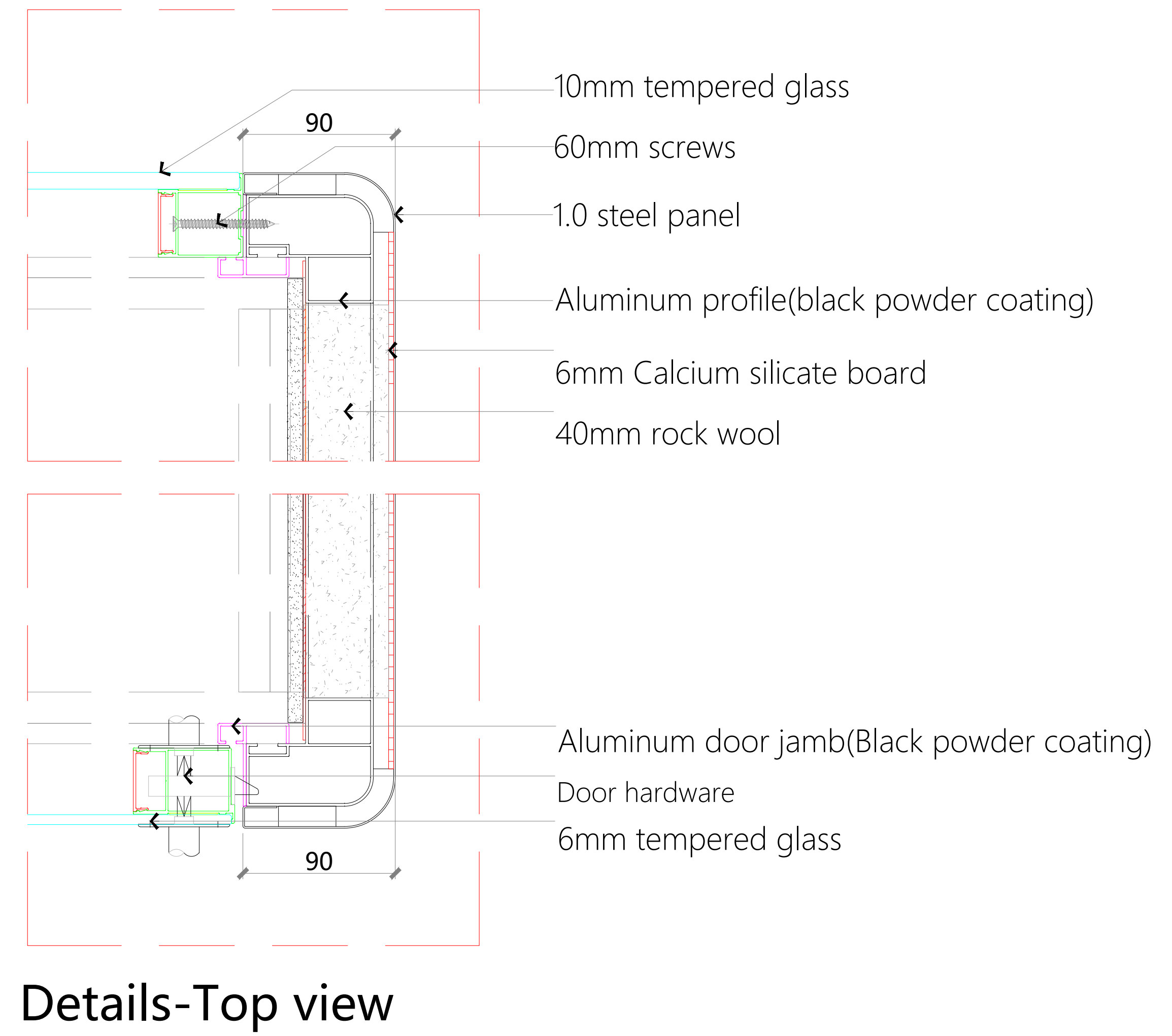
Wall D-Exterior elevation



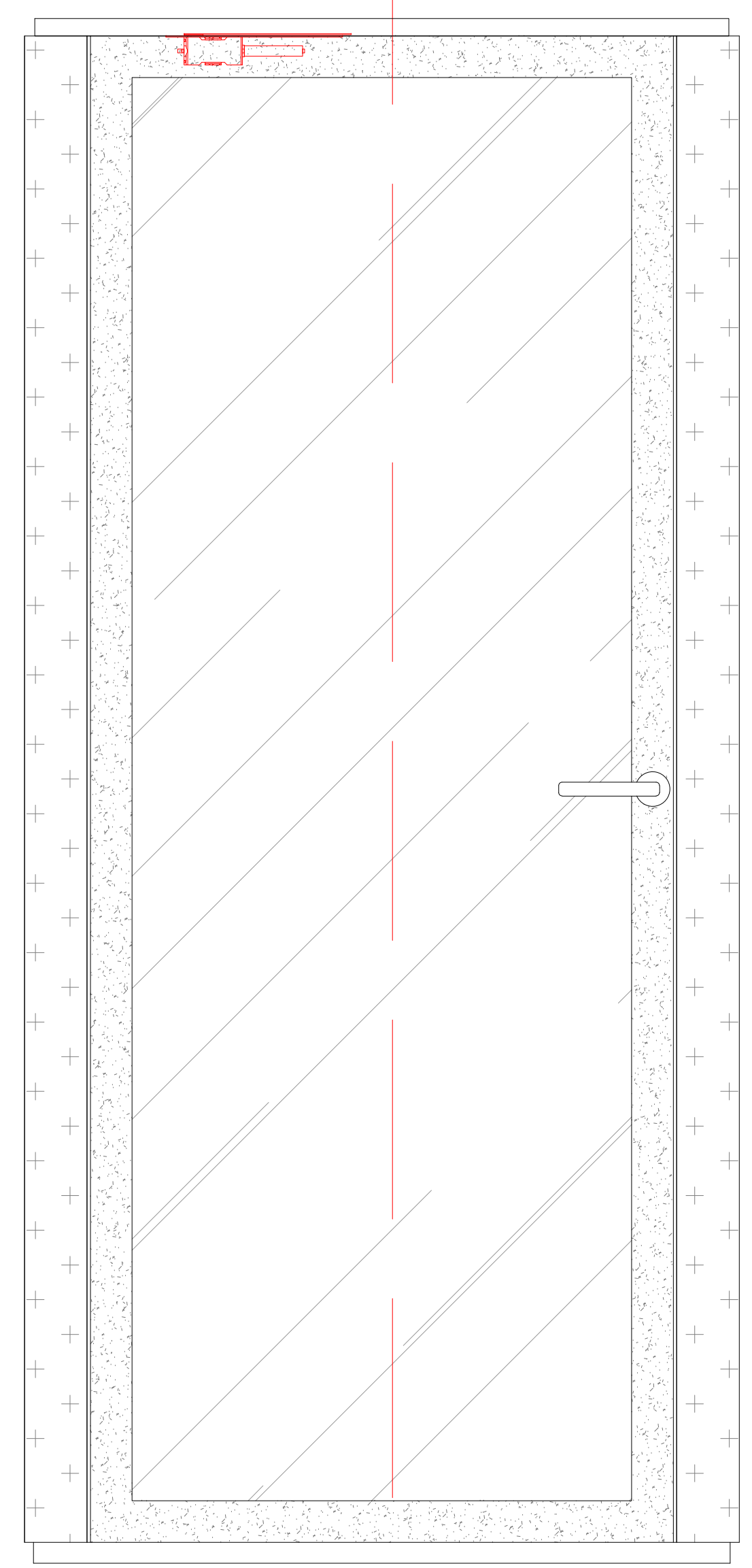
Wall D-Interior elevation



Detail index drawing



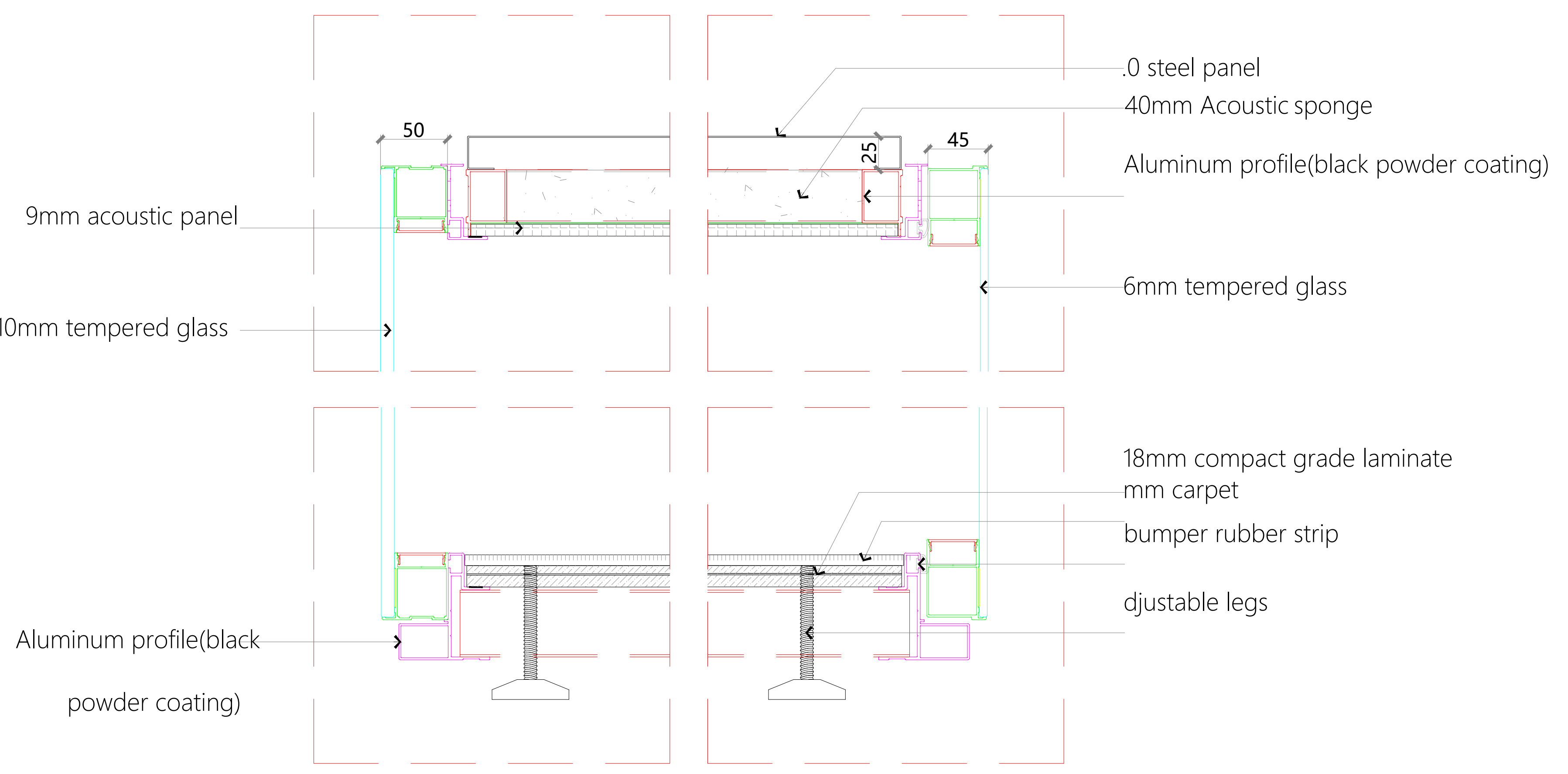
P-02 参照



1030

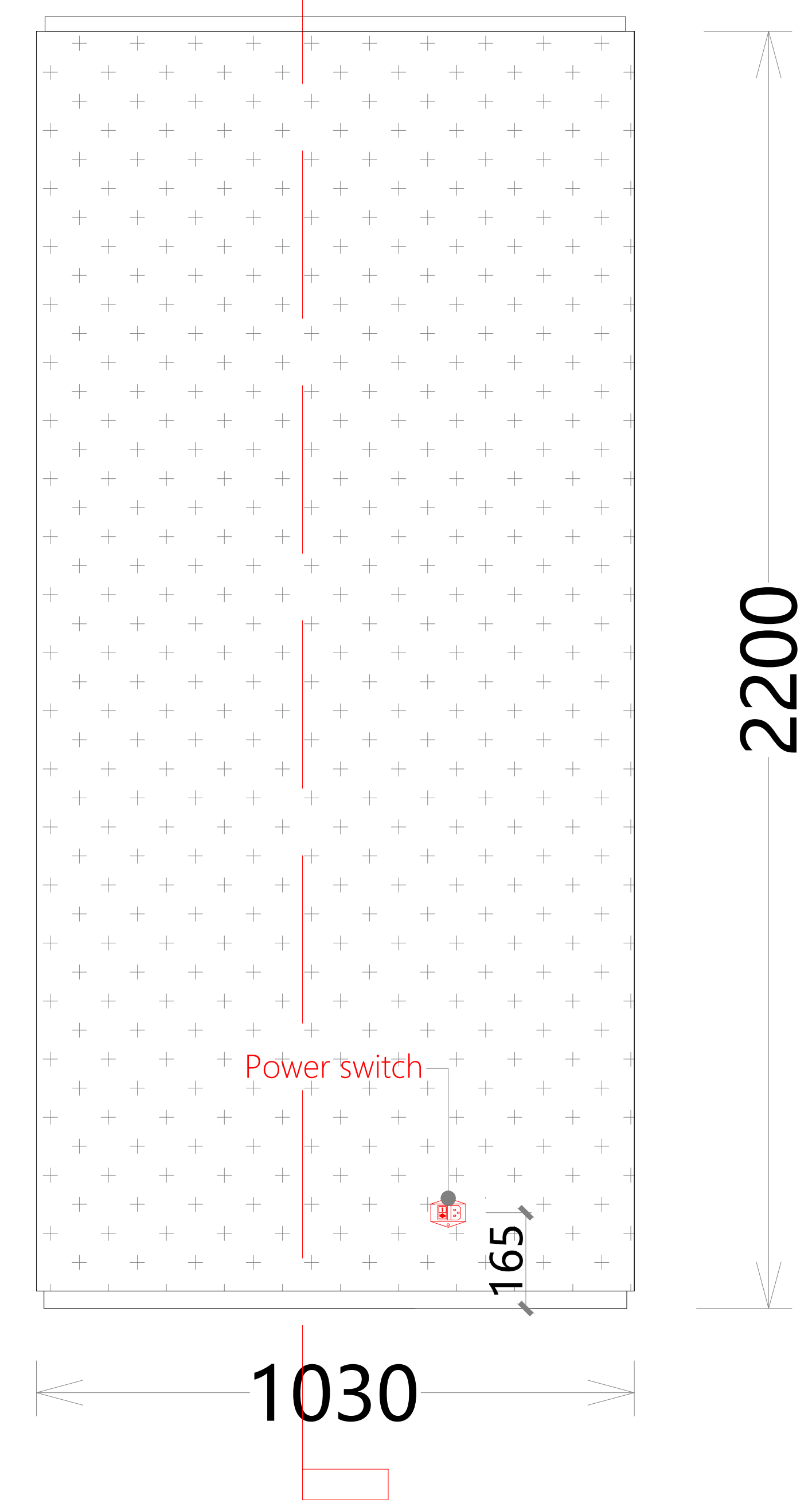
2200

Detail index drawing

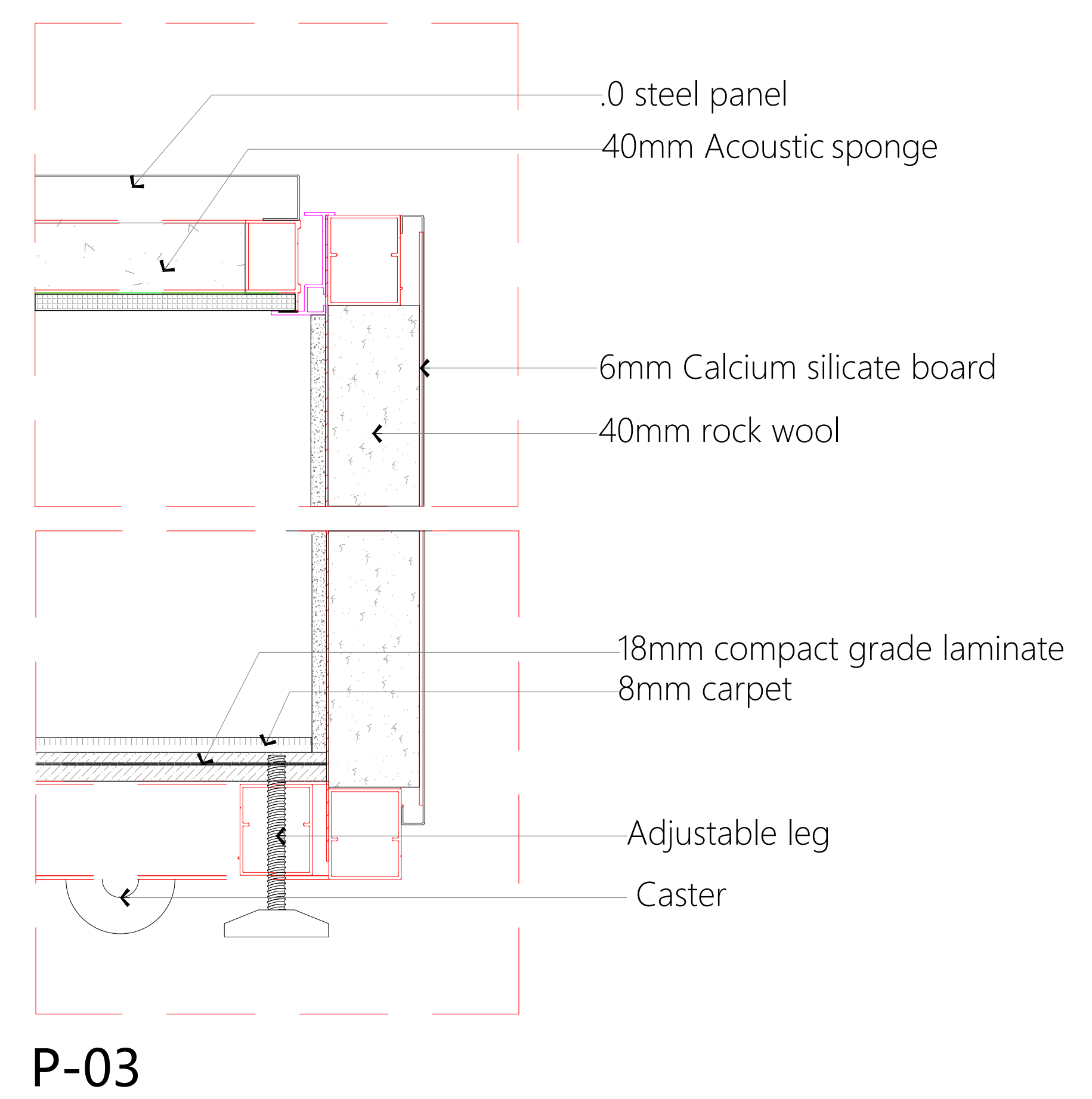


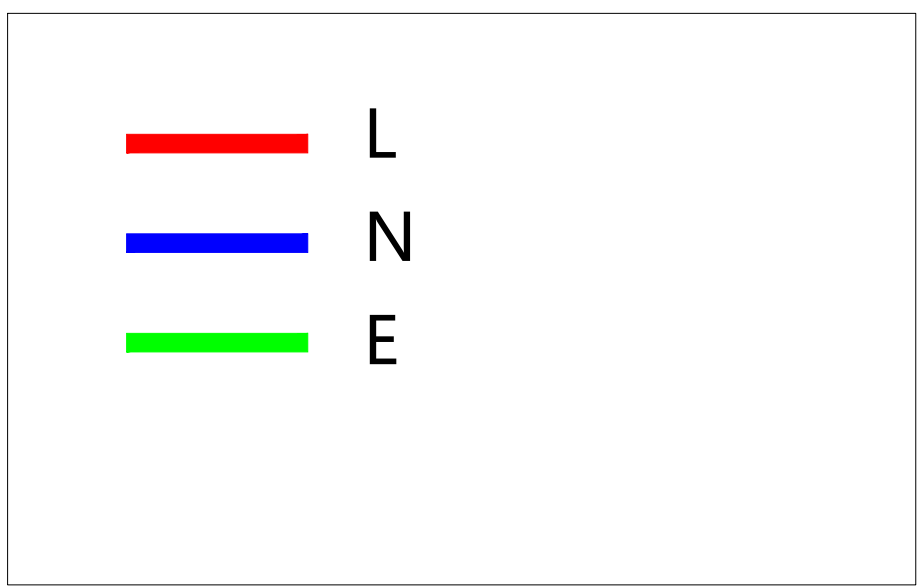
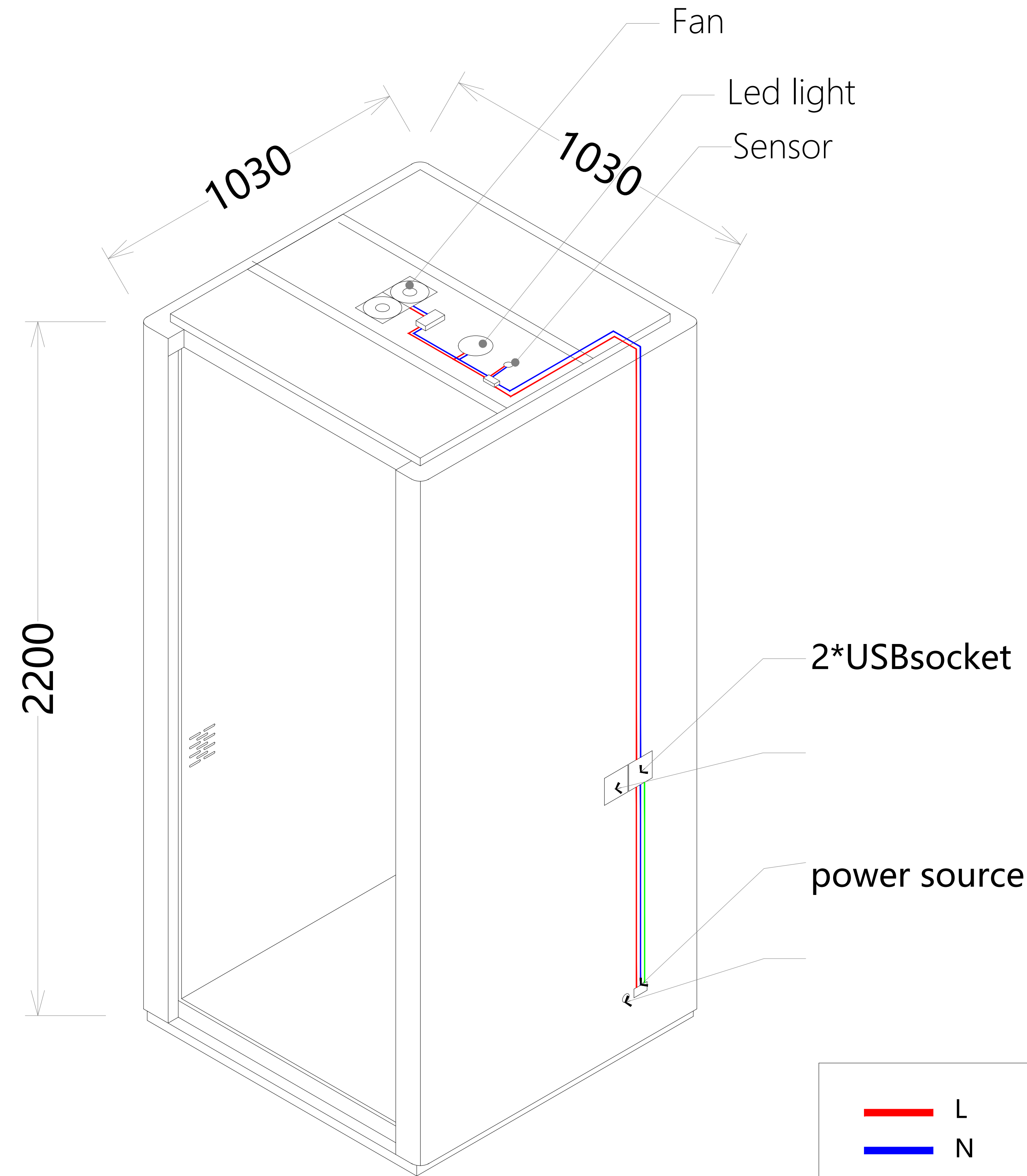
P-02

P-03 参照



Detail index drawing





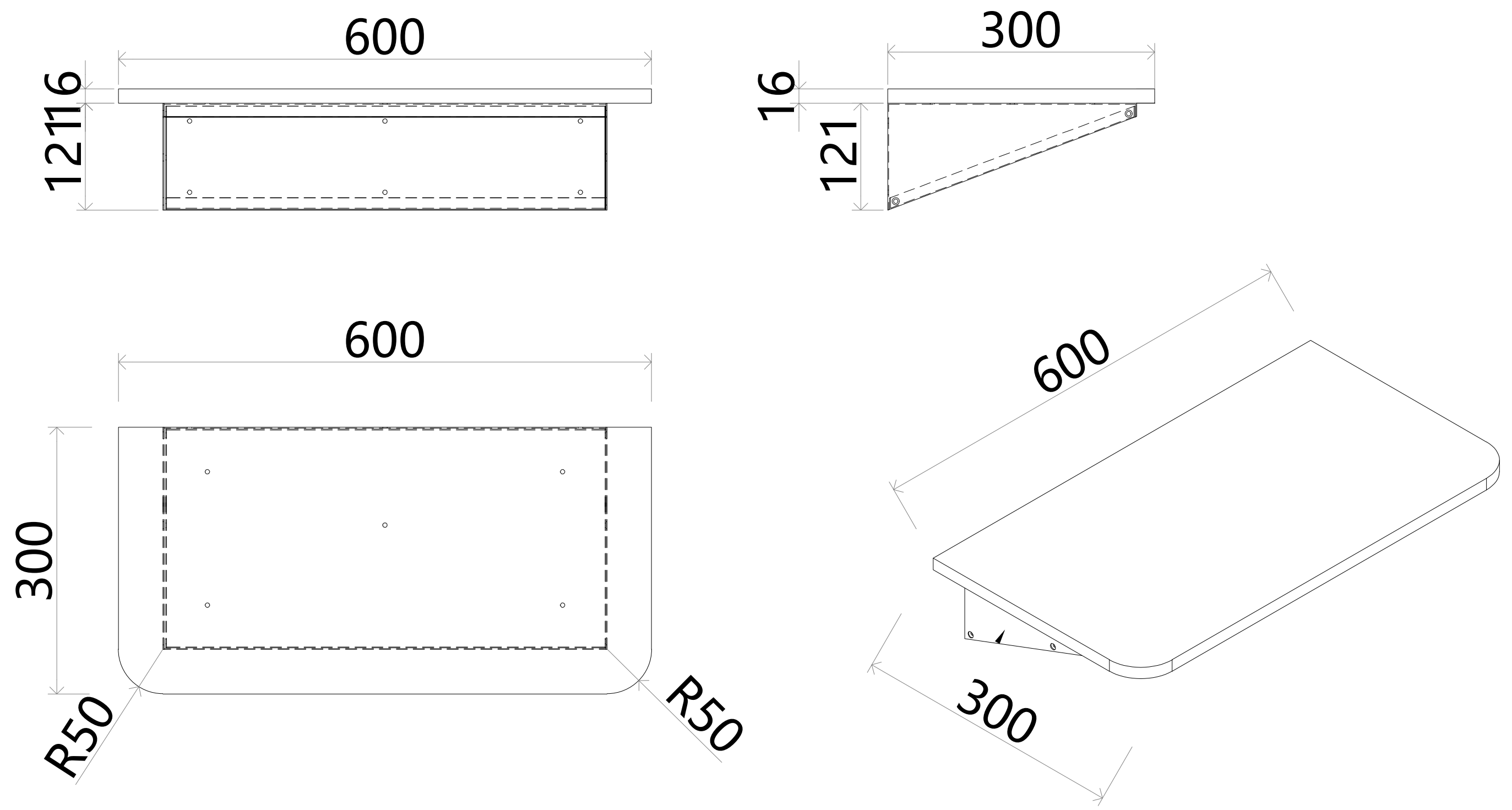


Table size drawing