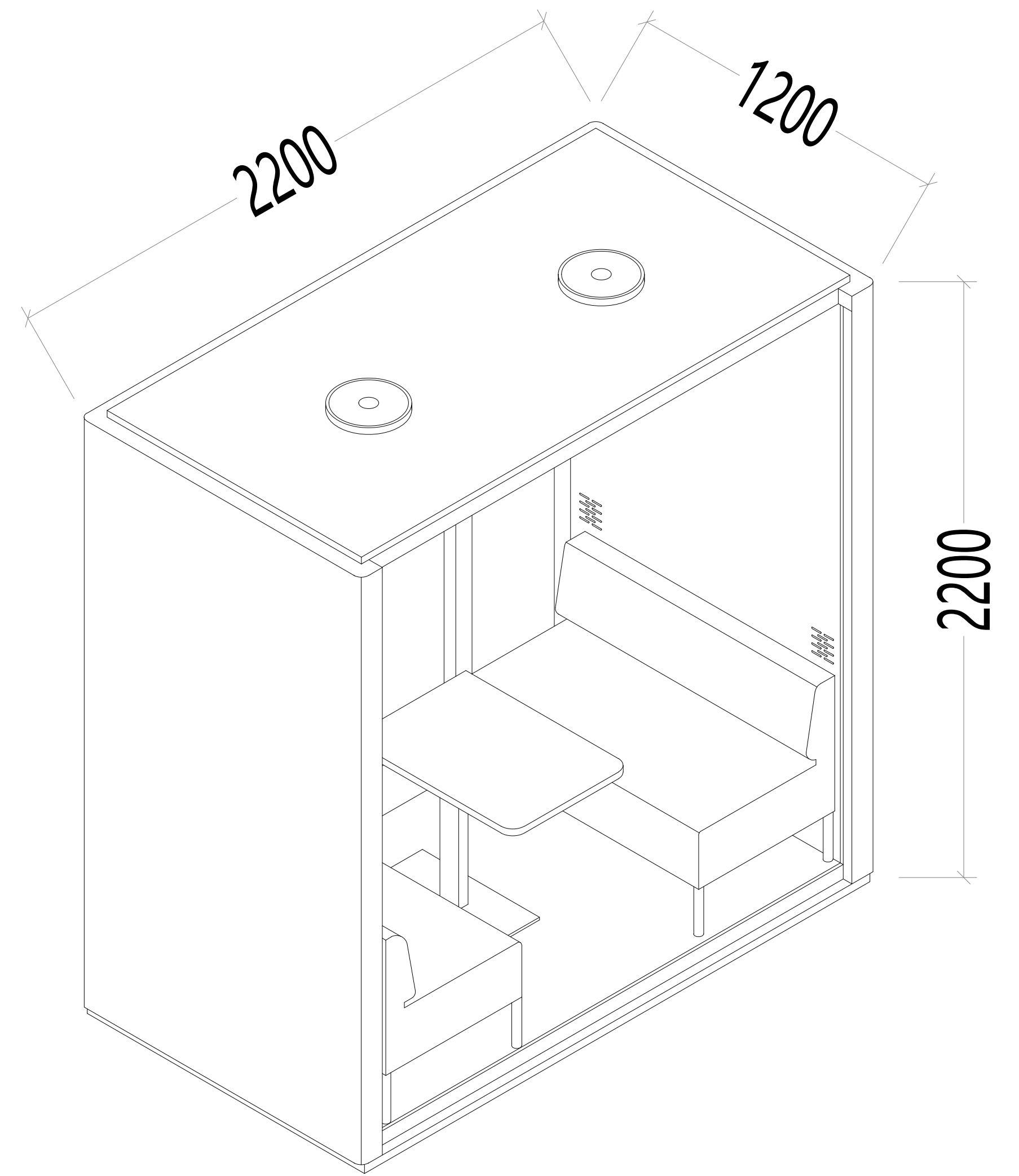
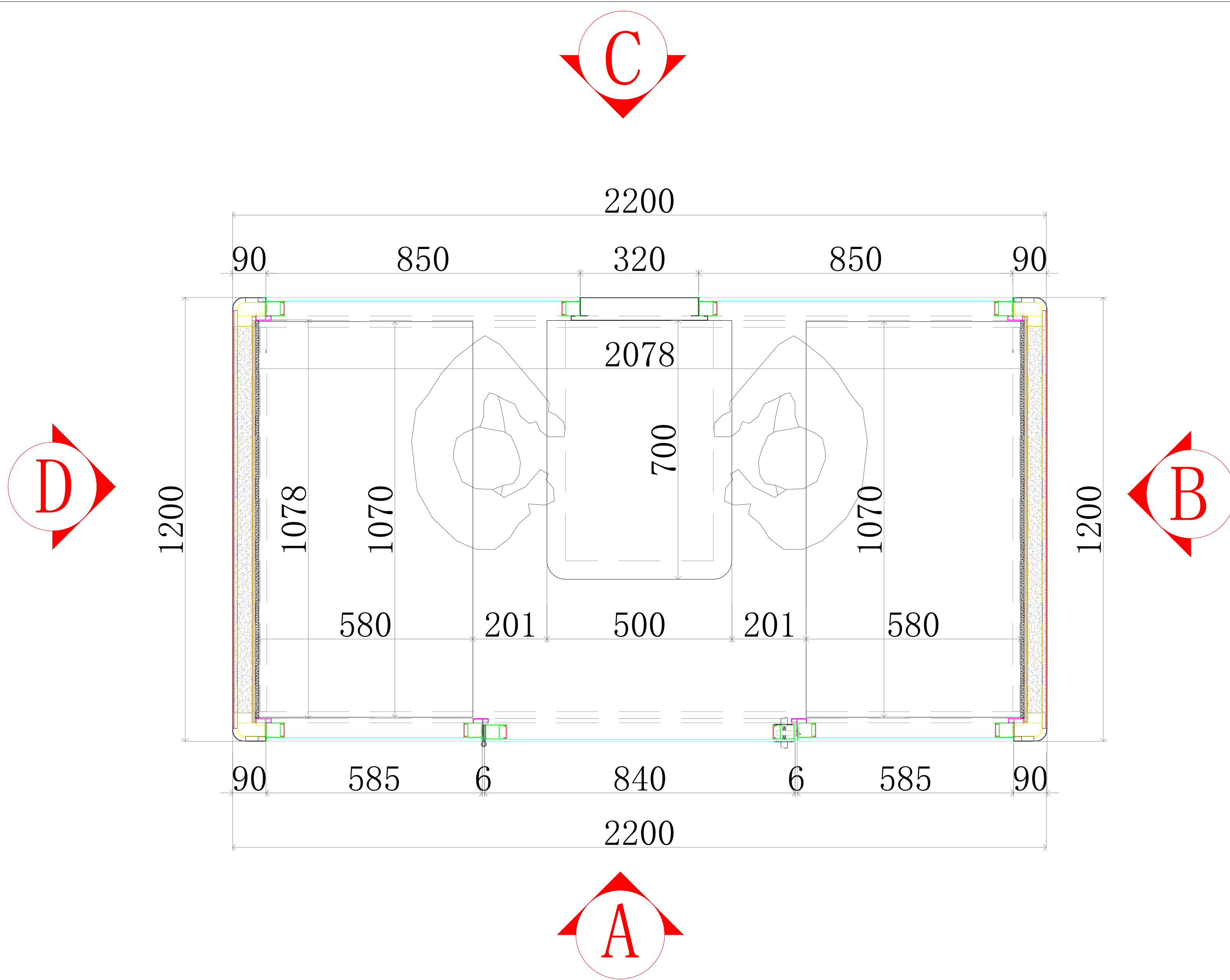


M pod
M pod 3D perspective drawing



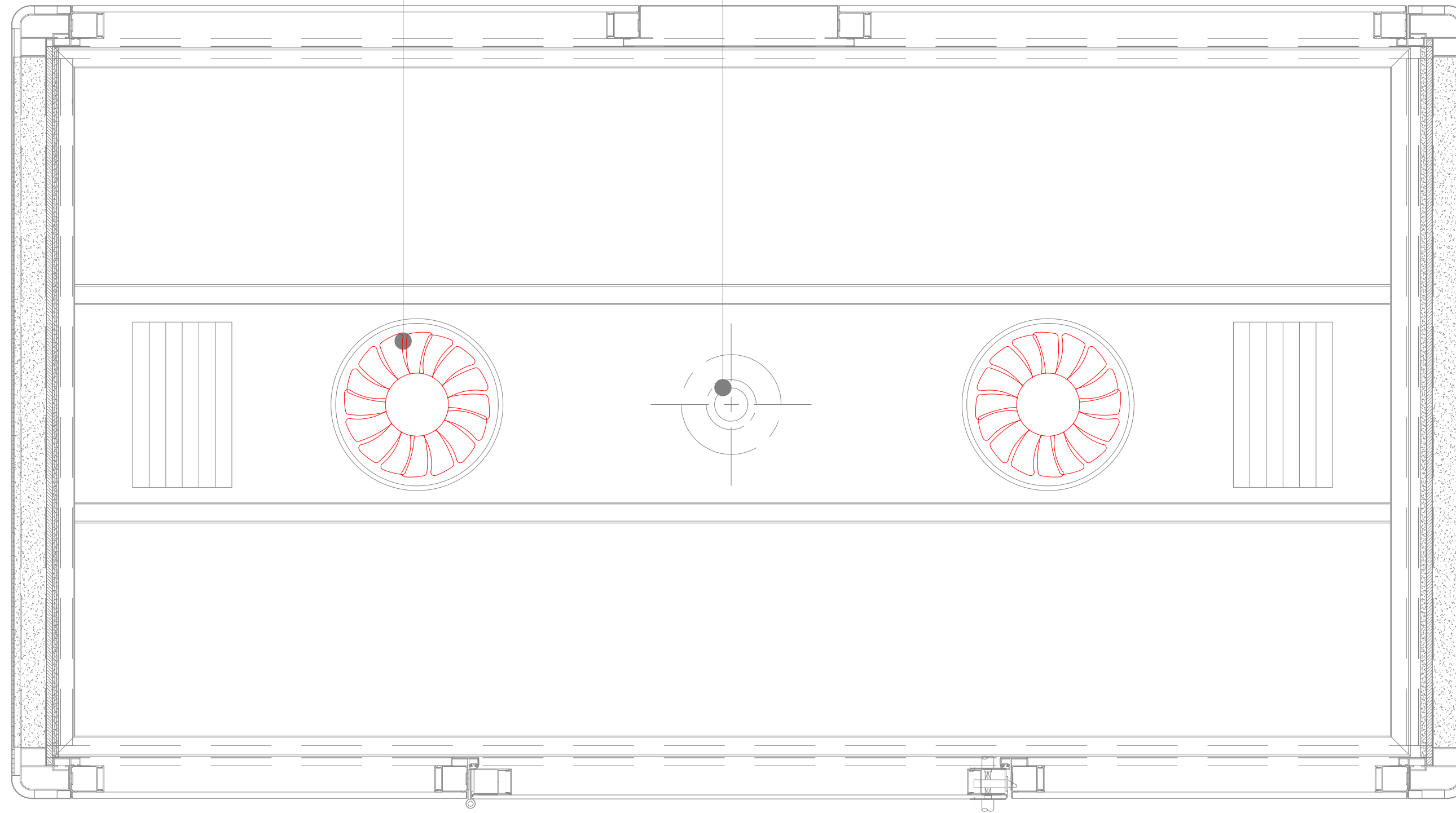
M pod
M pod 3D perspective drawing



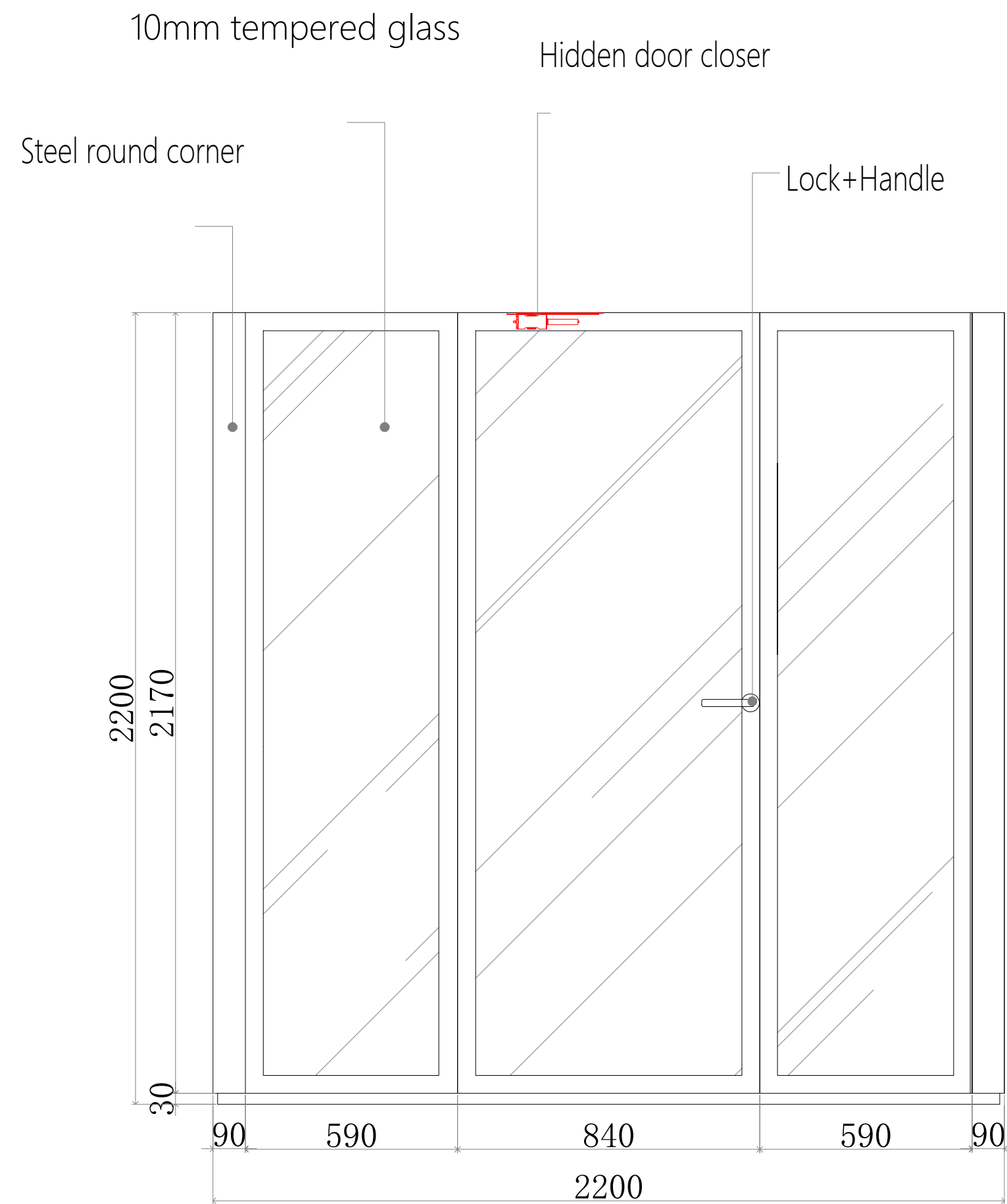
Layout Plan (Index)

Fan

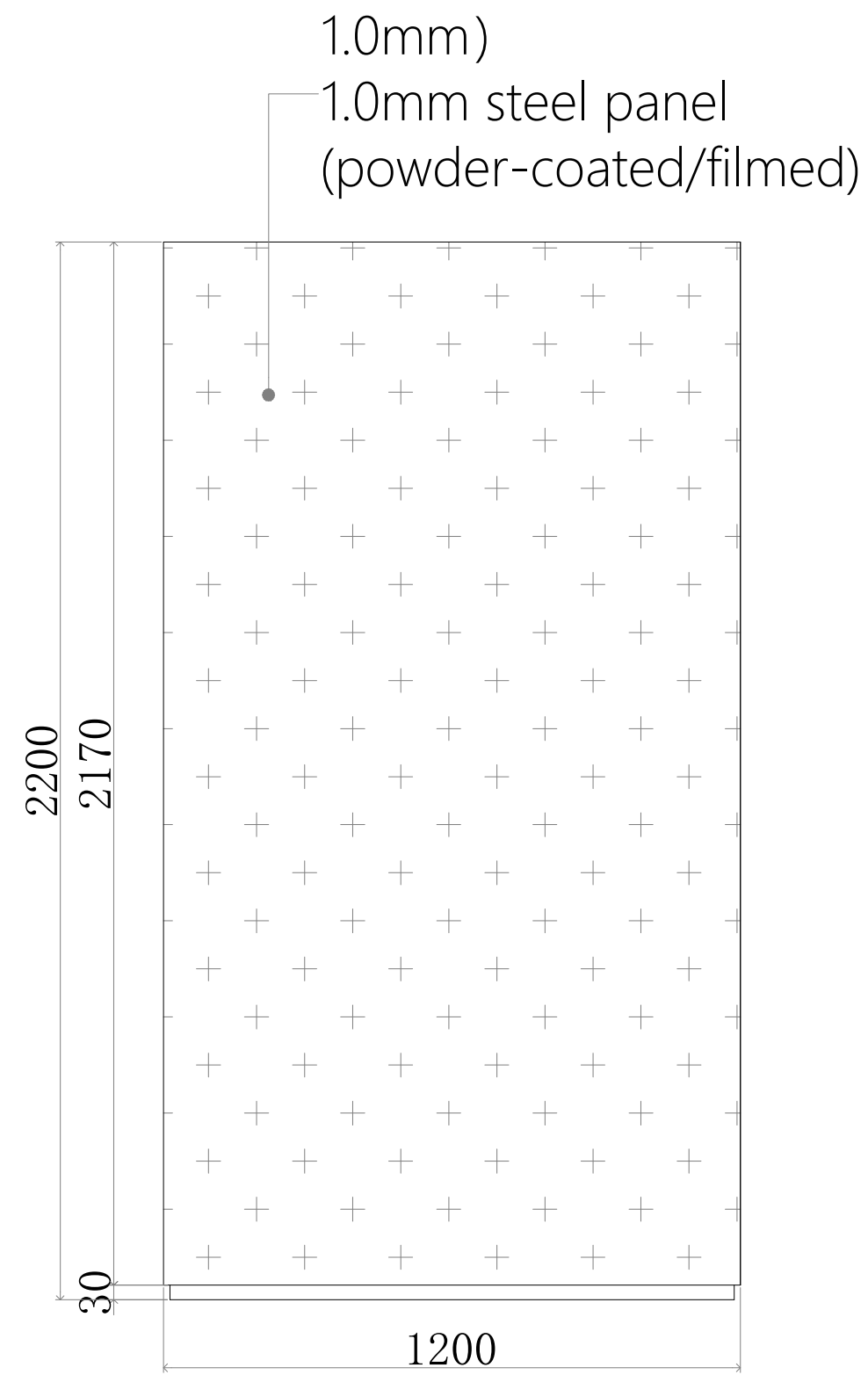
LED light



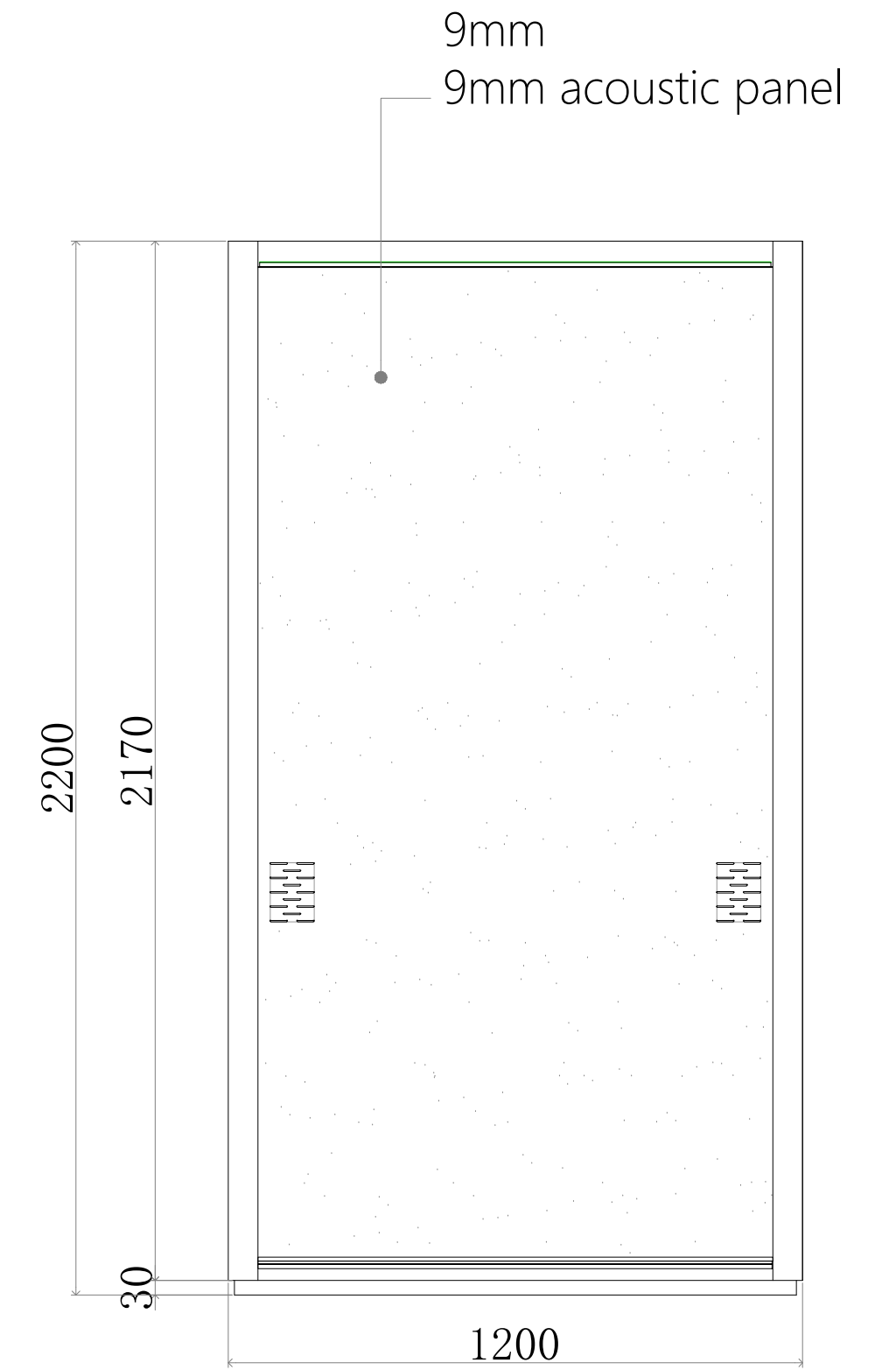
Ceiling drawing



Wall A-Exterior elevation



Wall B-Exterior elevation

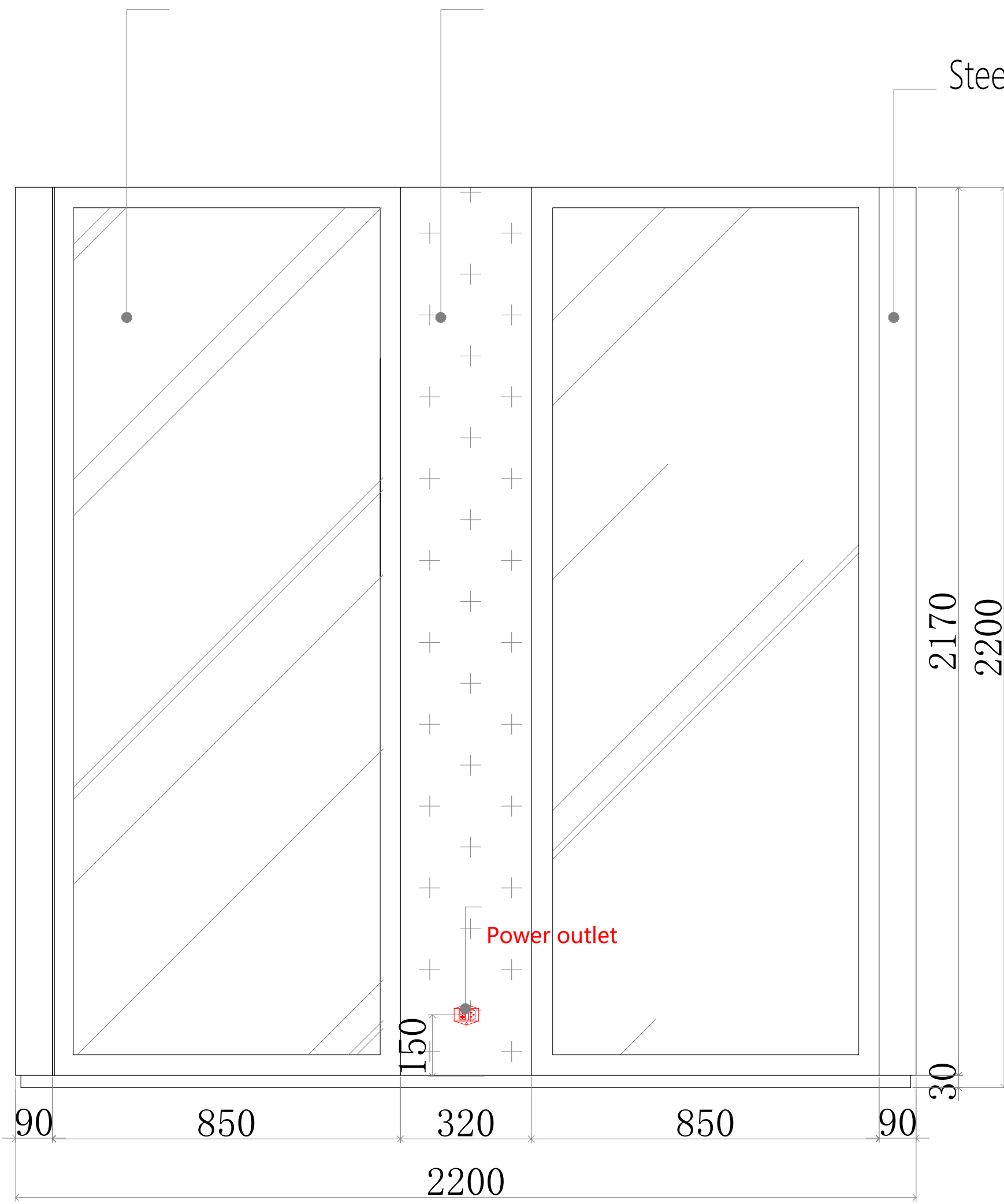


Wall B-Interior elevation

10mm tempered glass

Double 1.0mm steel panel

Steel round corner

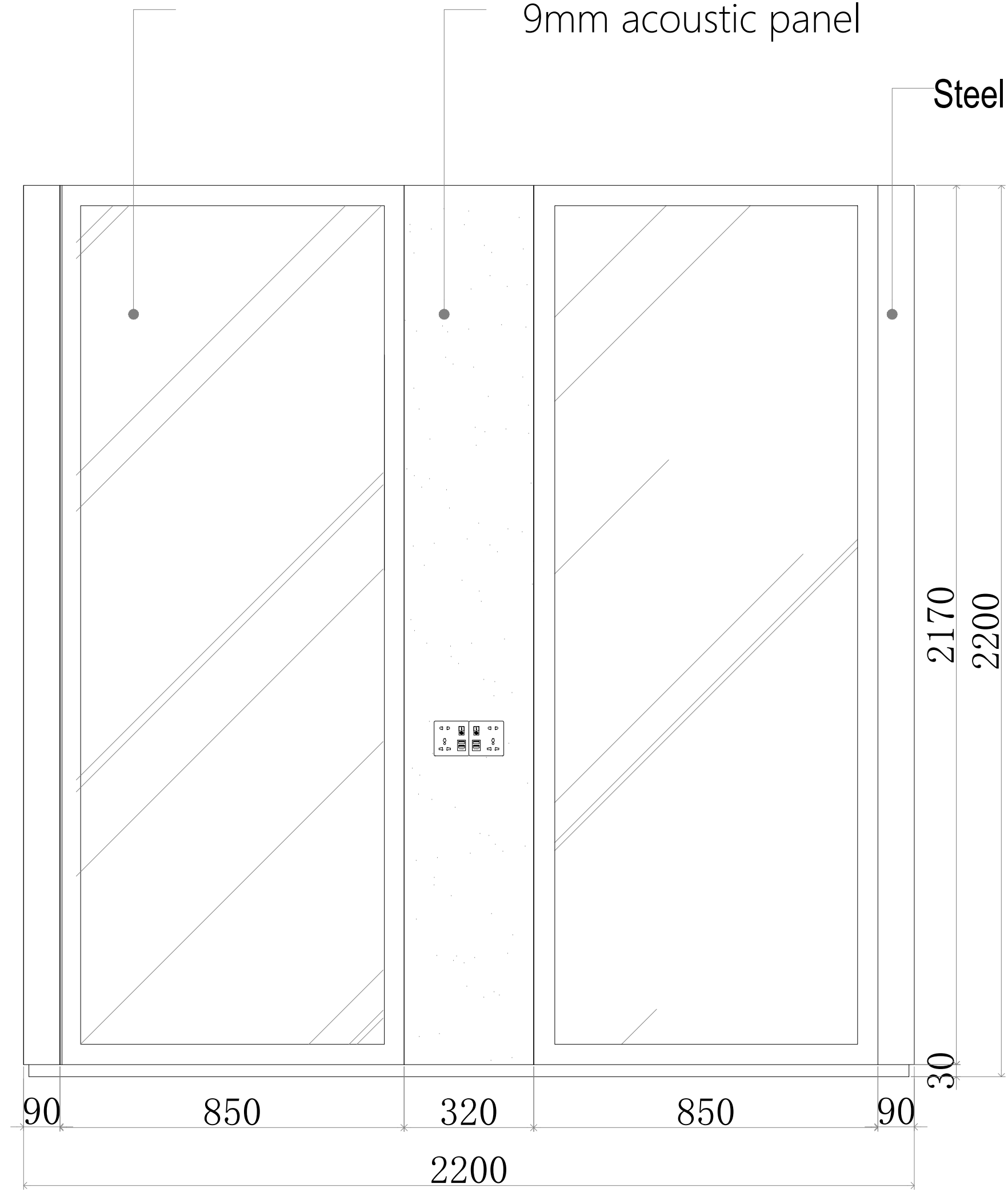


Wall C-Exterior elevation

10mm tempered glass

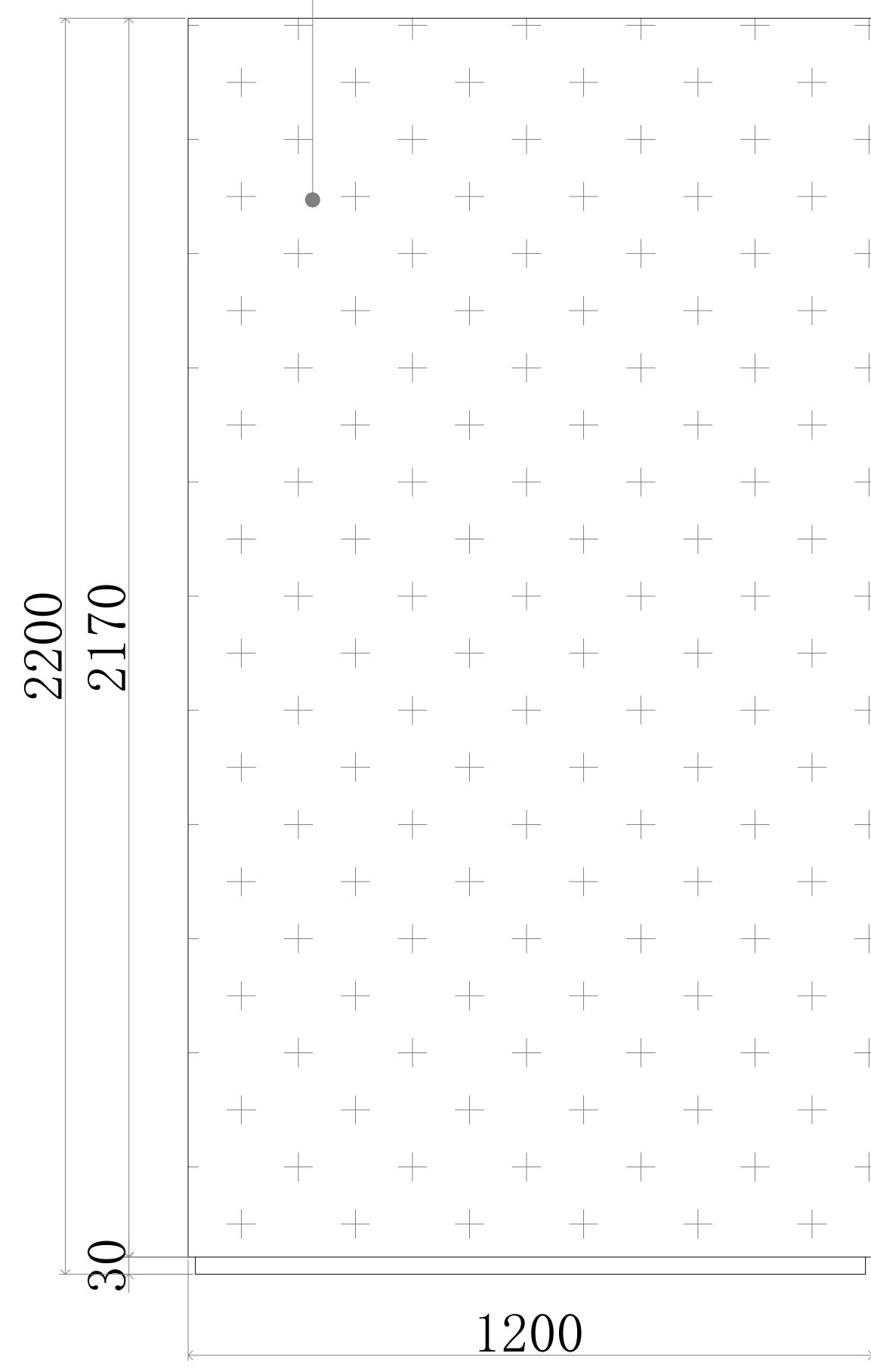
9mm acoustic panel

Steel round corner



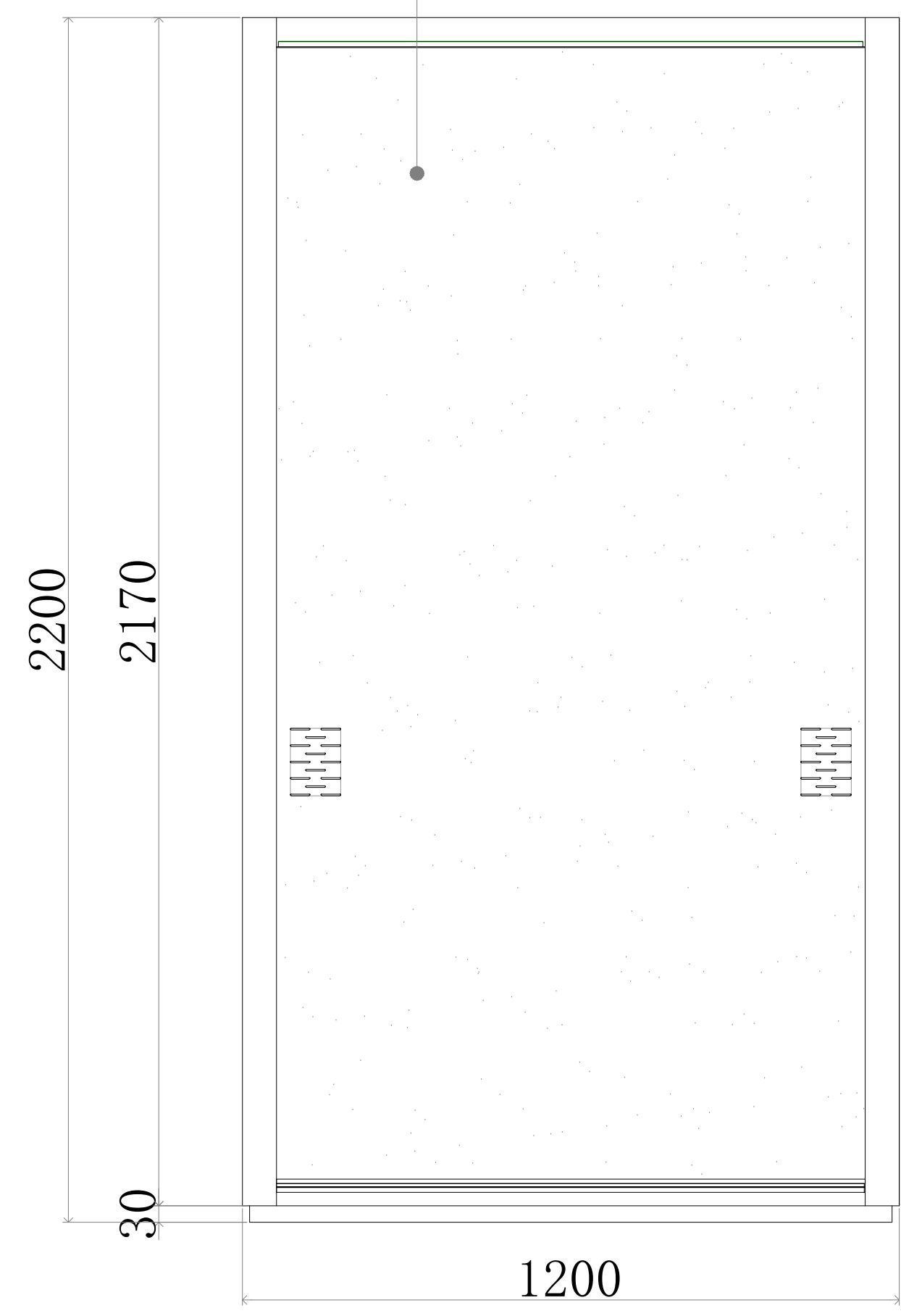
Wall C-Interior elevation

1.0mm steel panel
(powder-coated/filmed)



Wall D-Exterior elevation

9mm acoustic panel



Wall D-Interior elevation

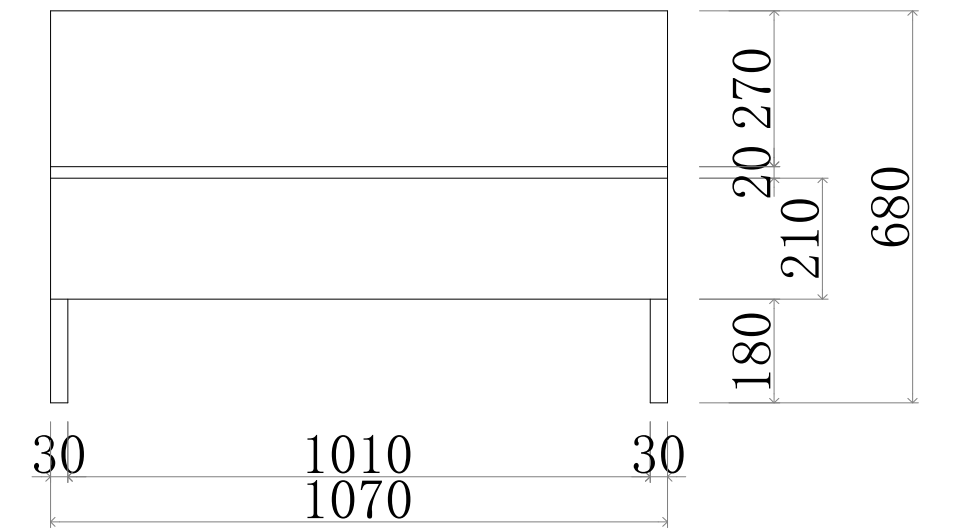
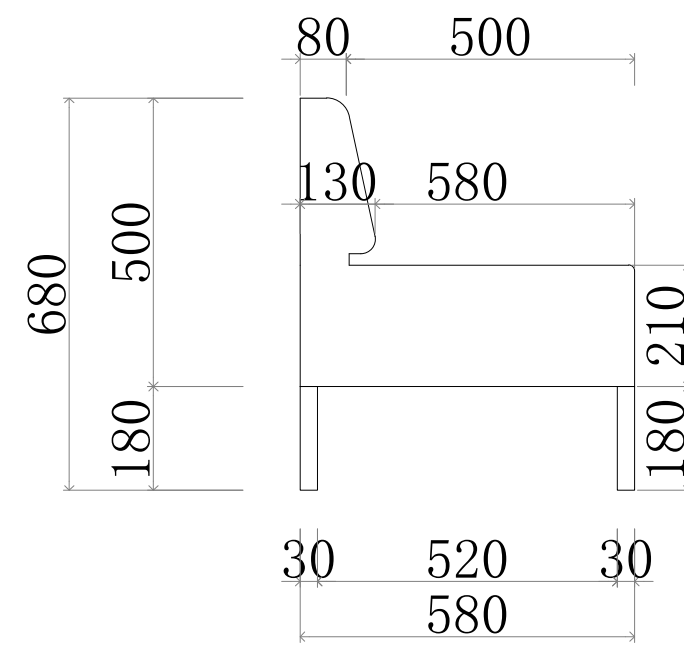
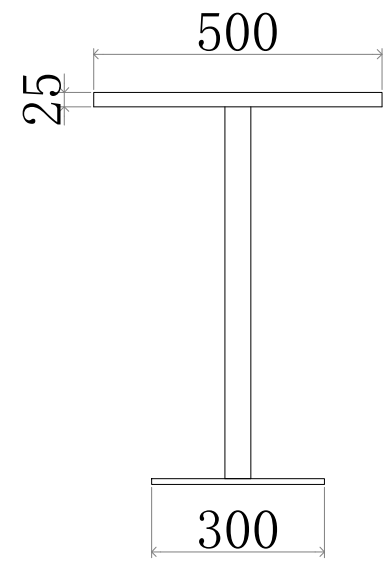
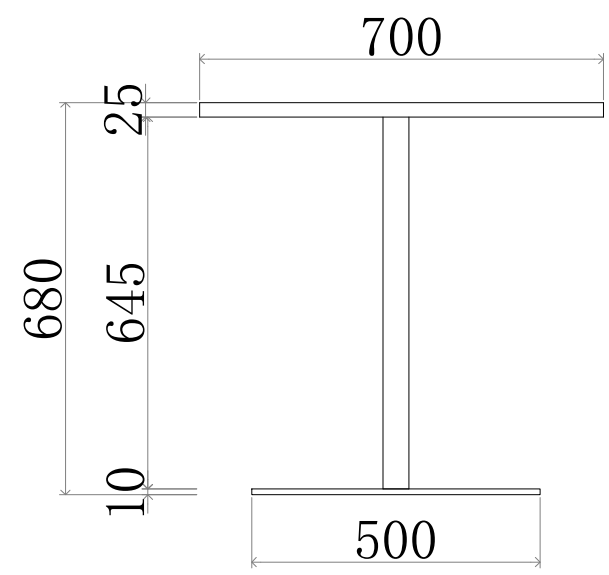
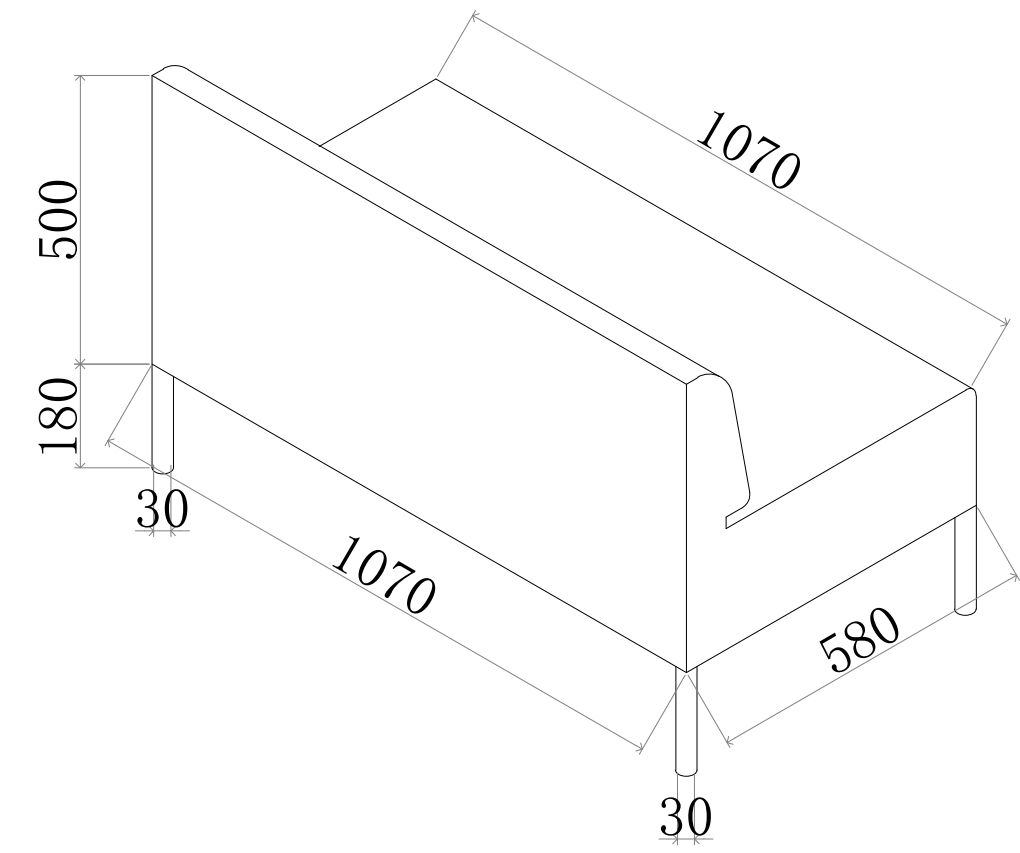
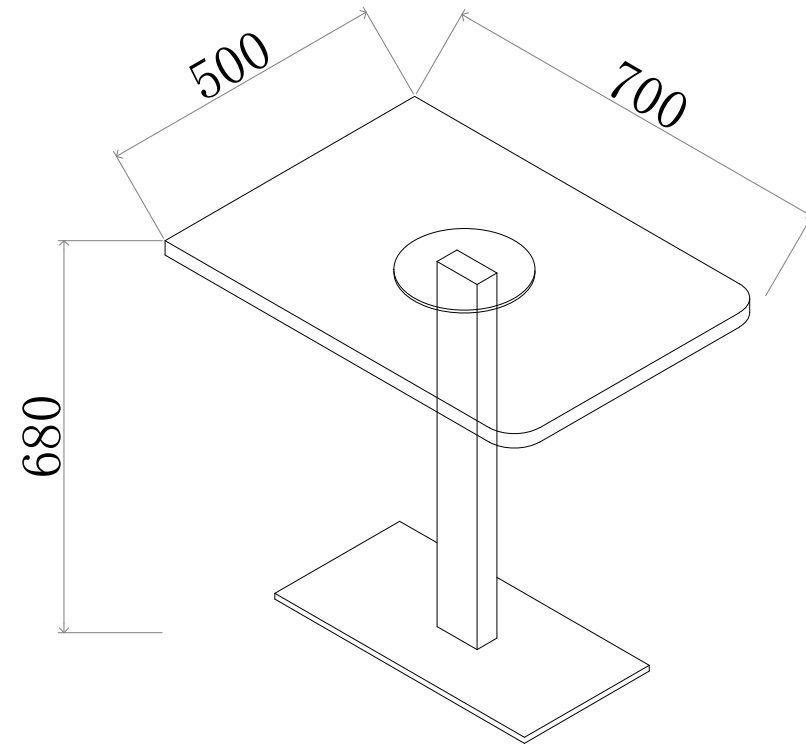
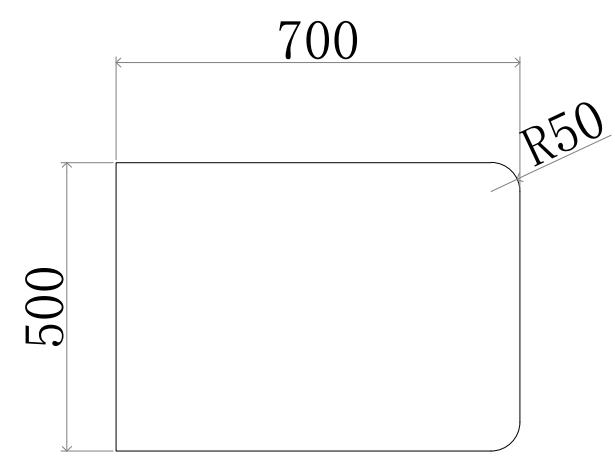


Table size drawing

Sofa size drawing