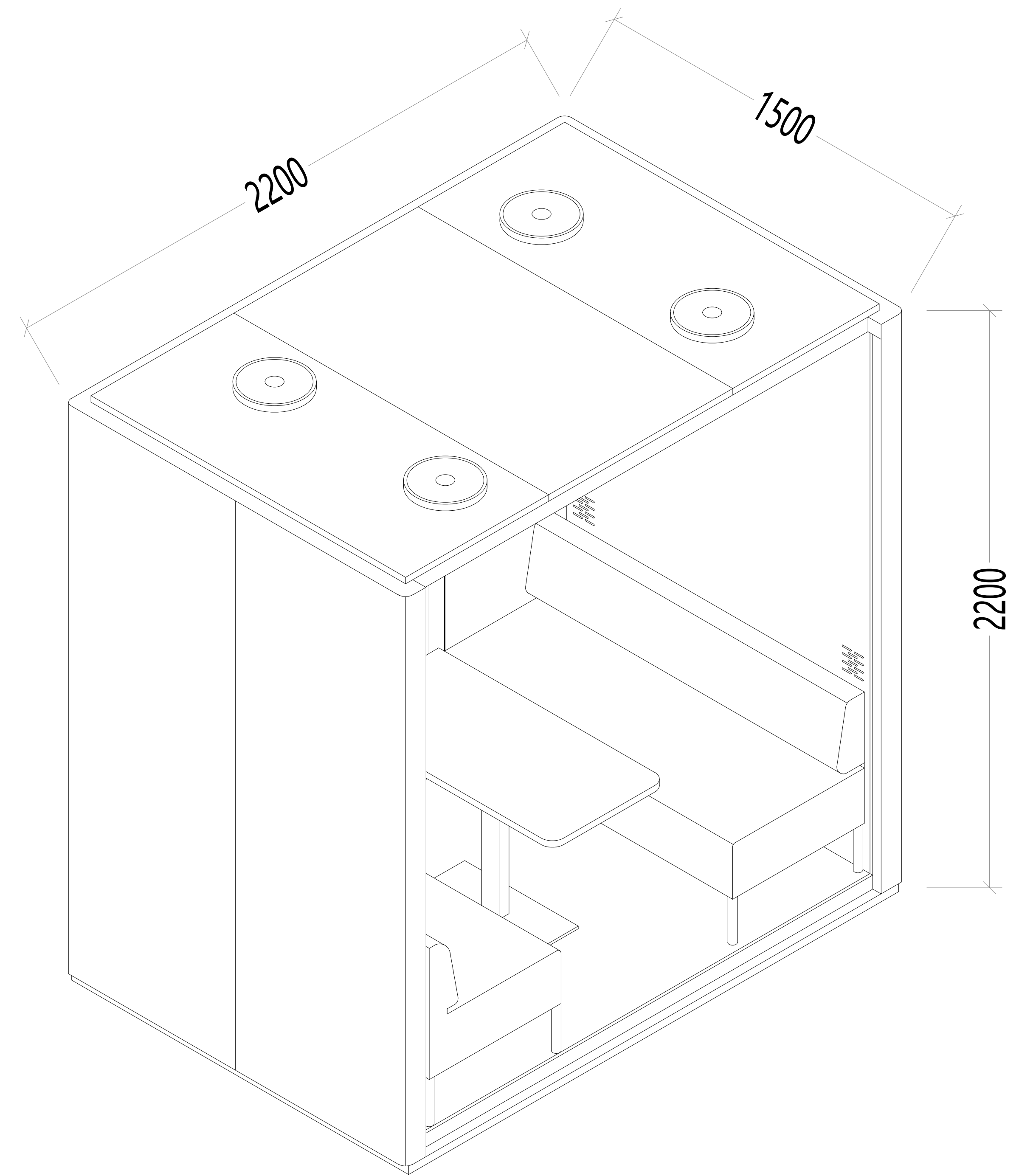
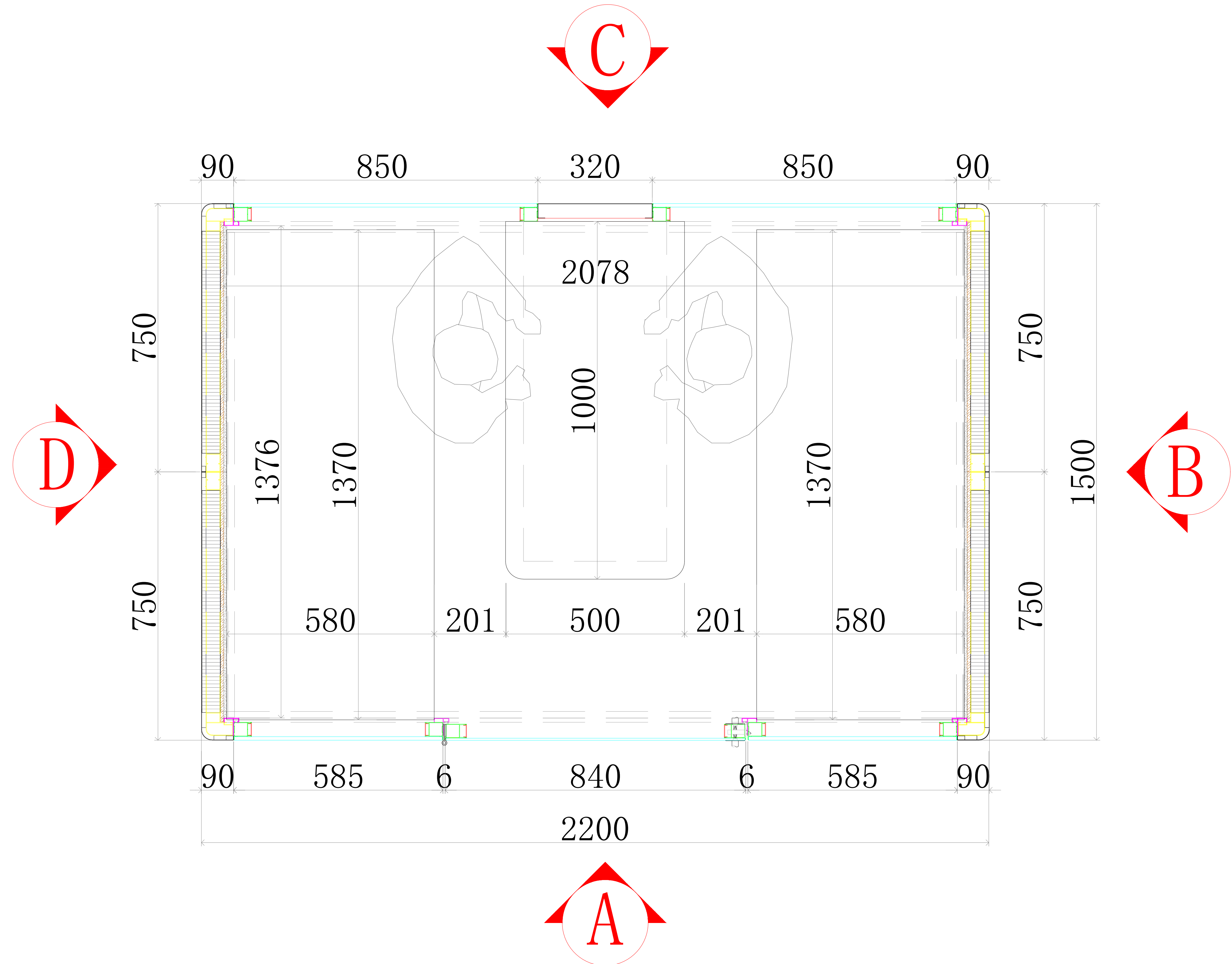


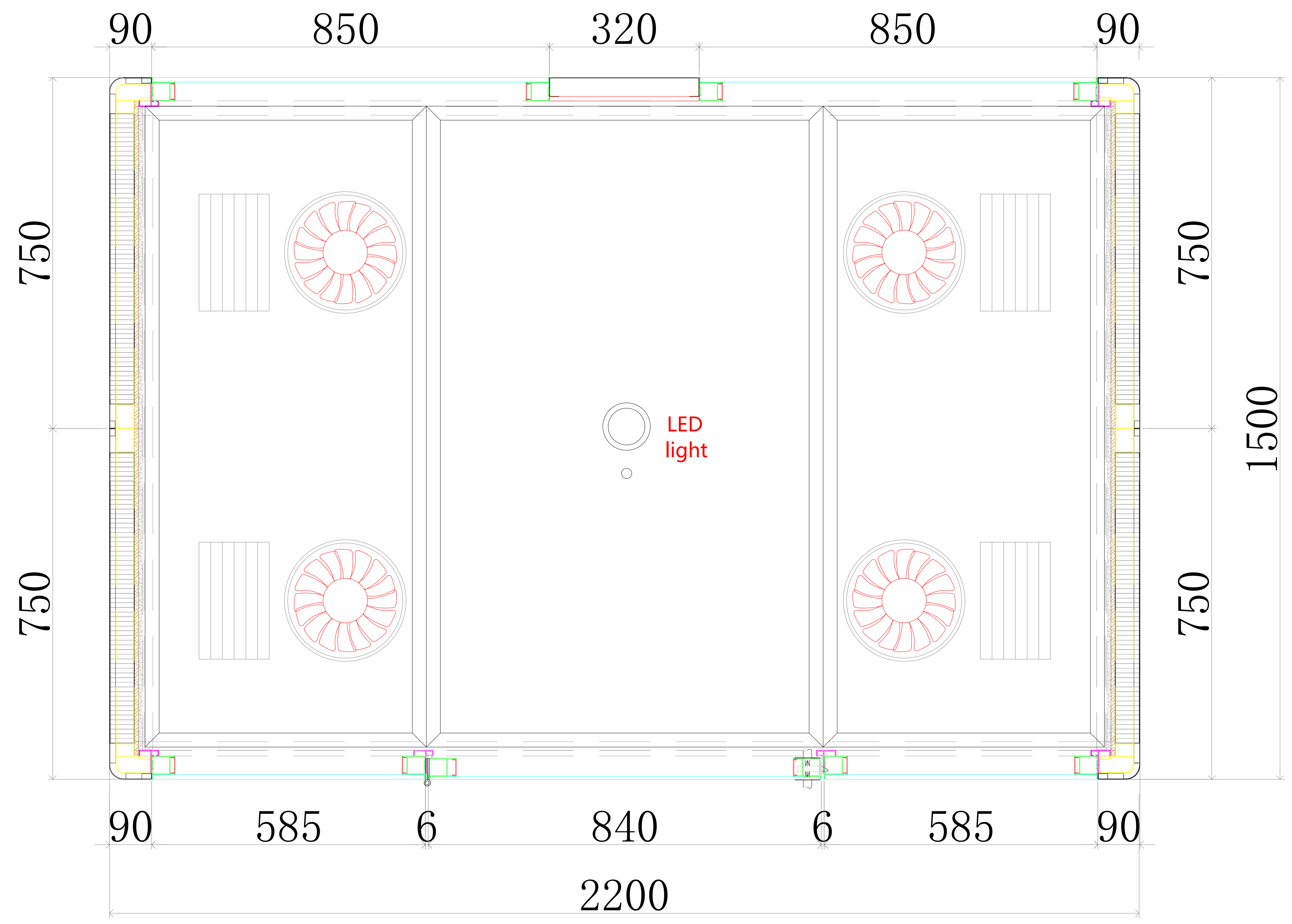
L pod 3D perspective drawing



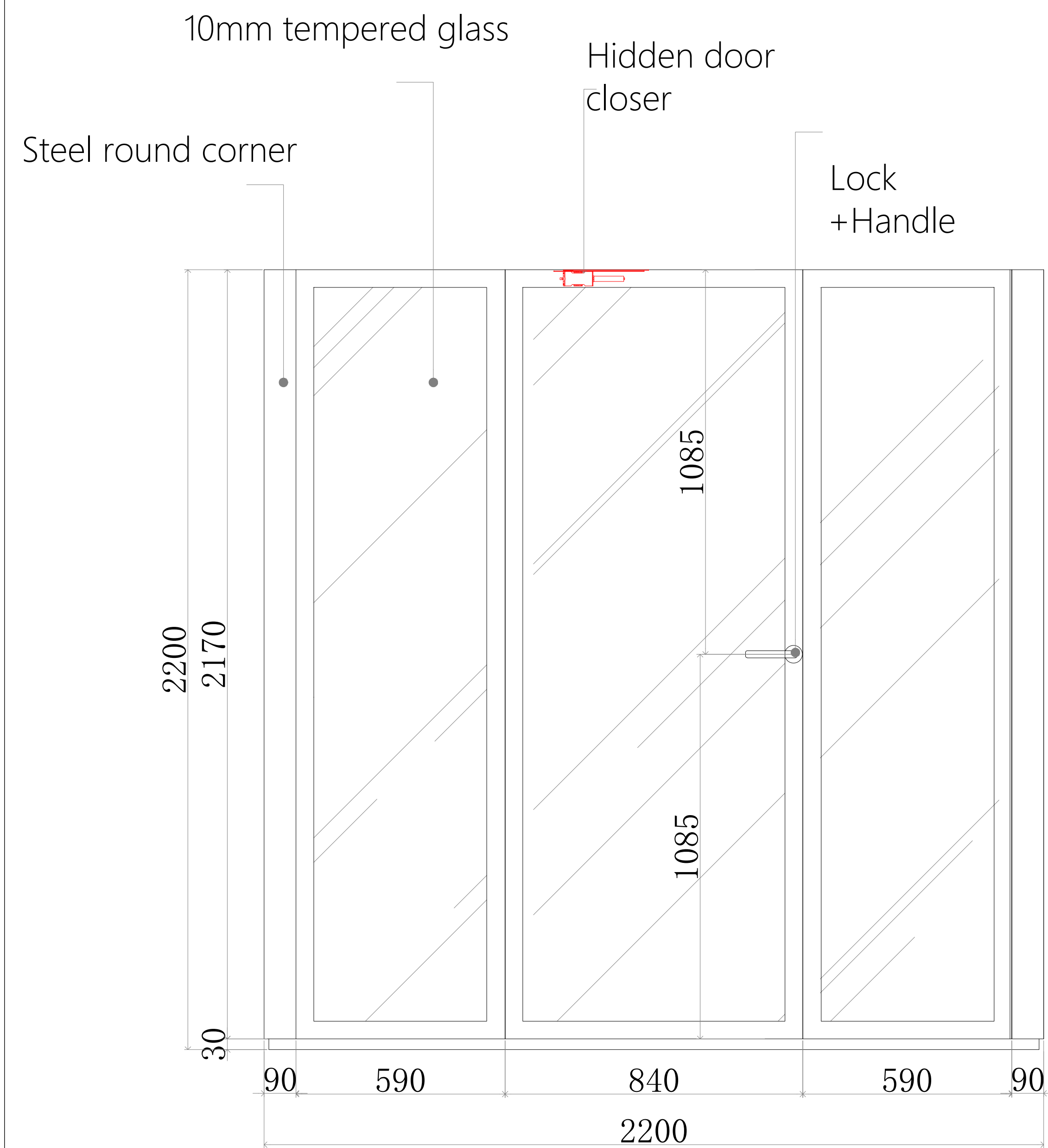
L pod 3D perspective drawing



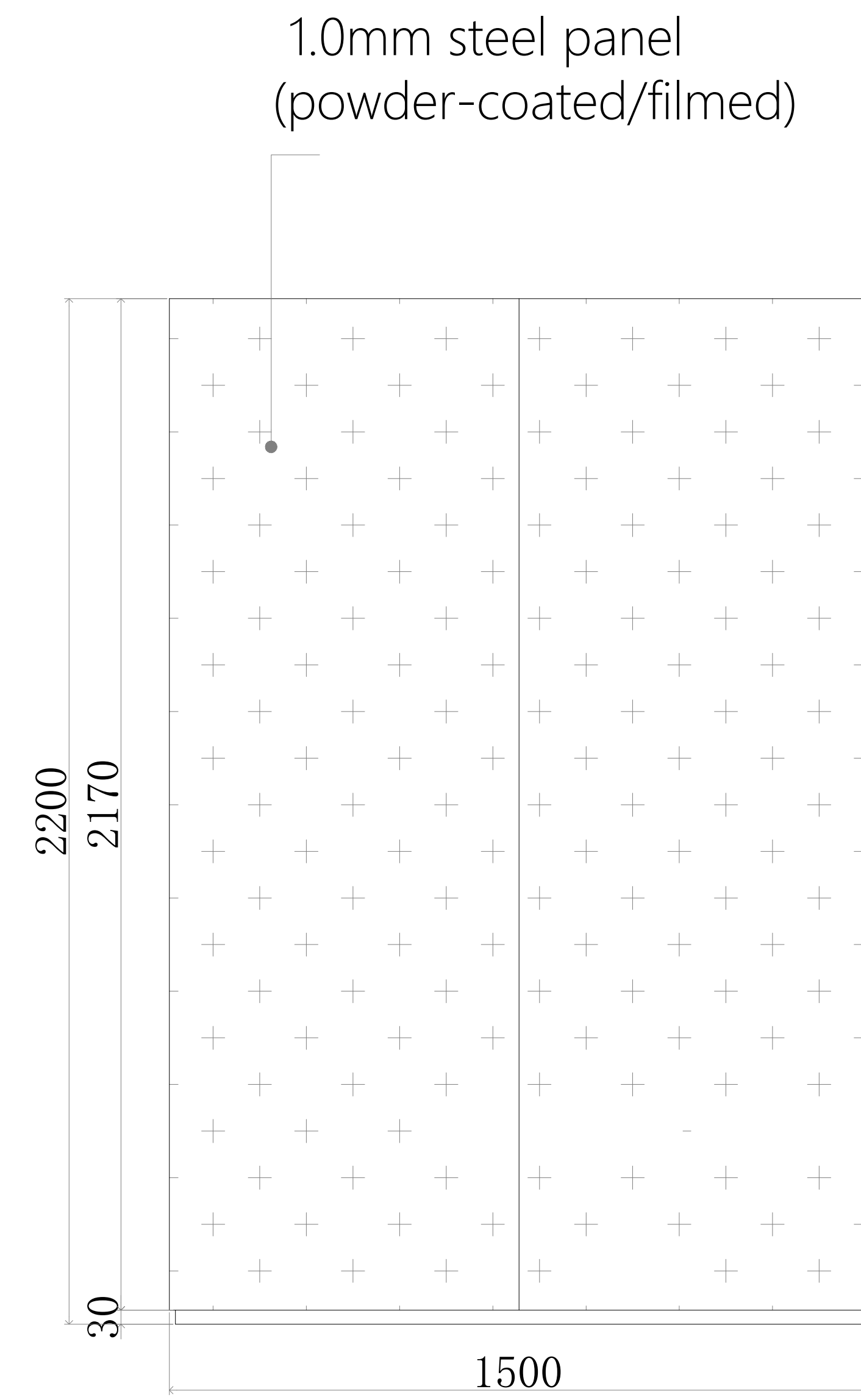
Layout Plan (Index)



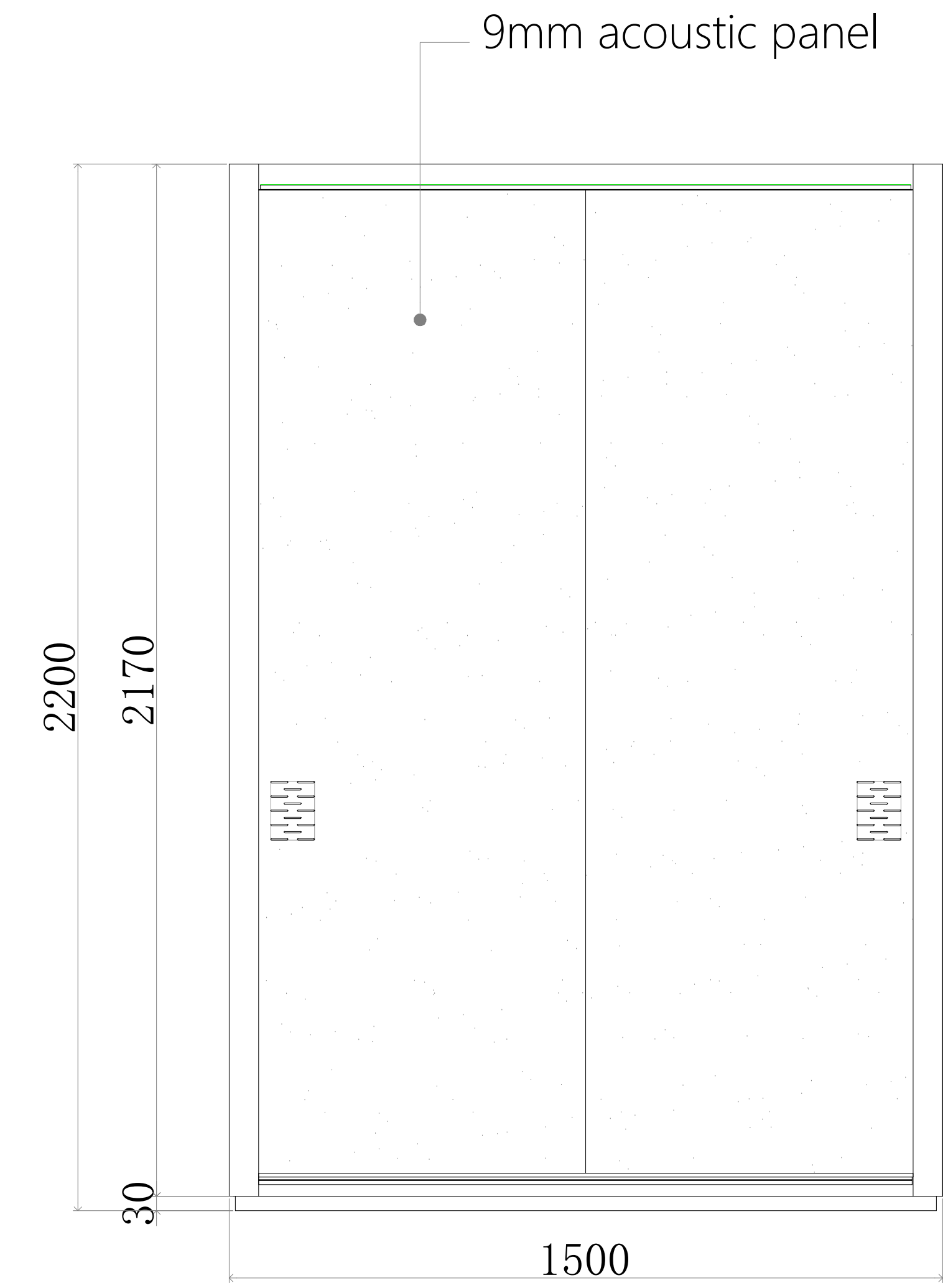
Ceiling drawing



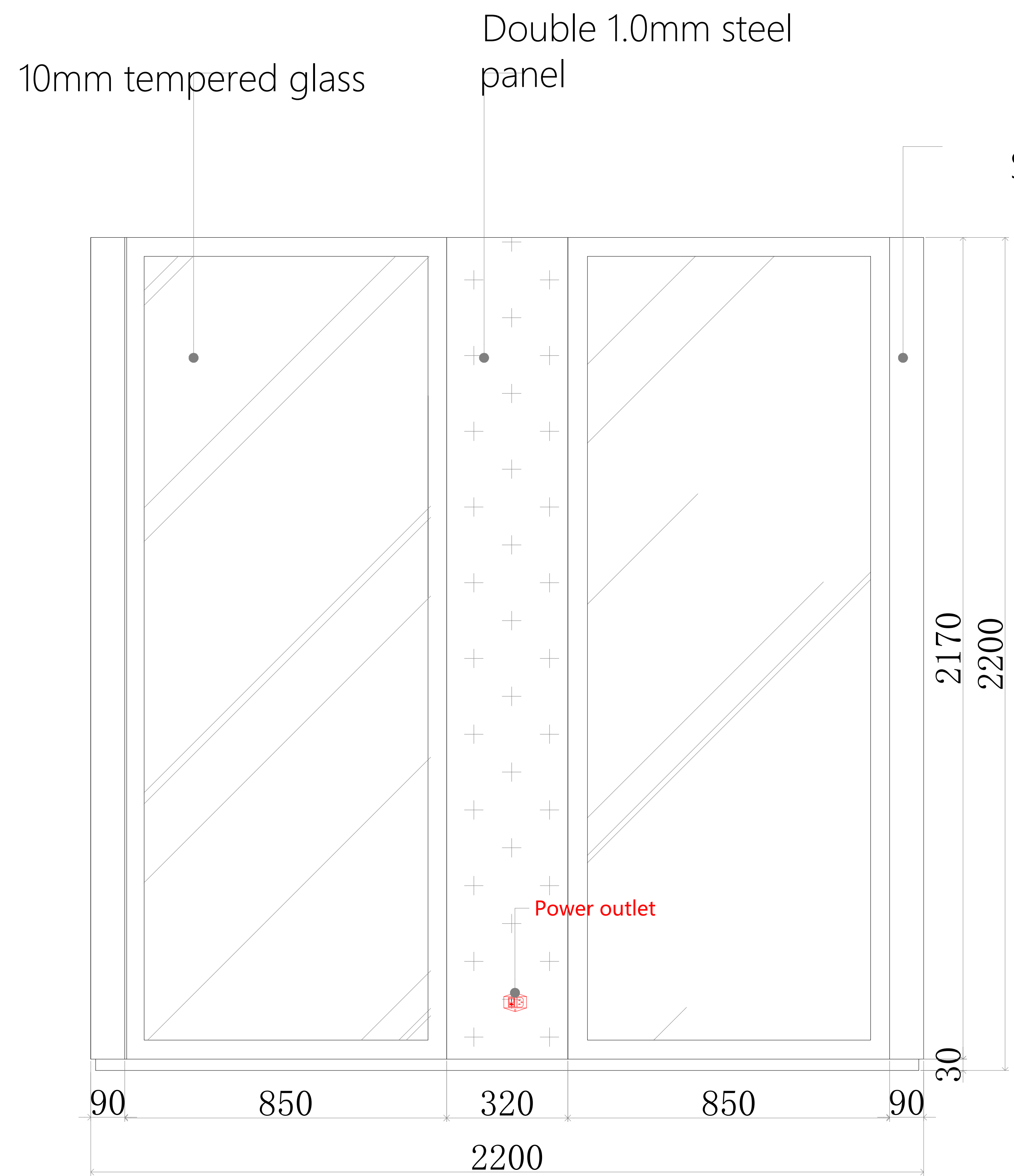
Wall A-Exterior elevation



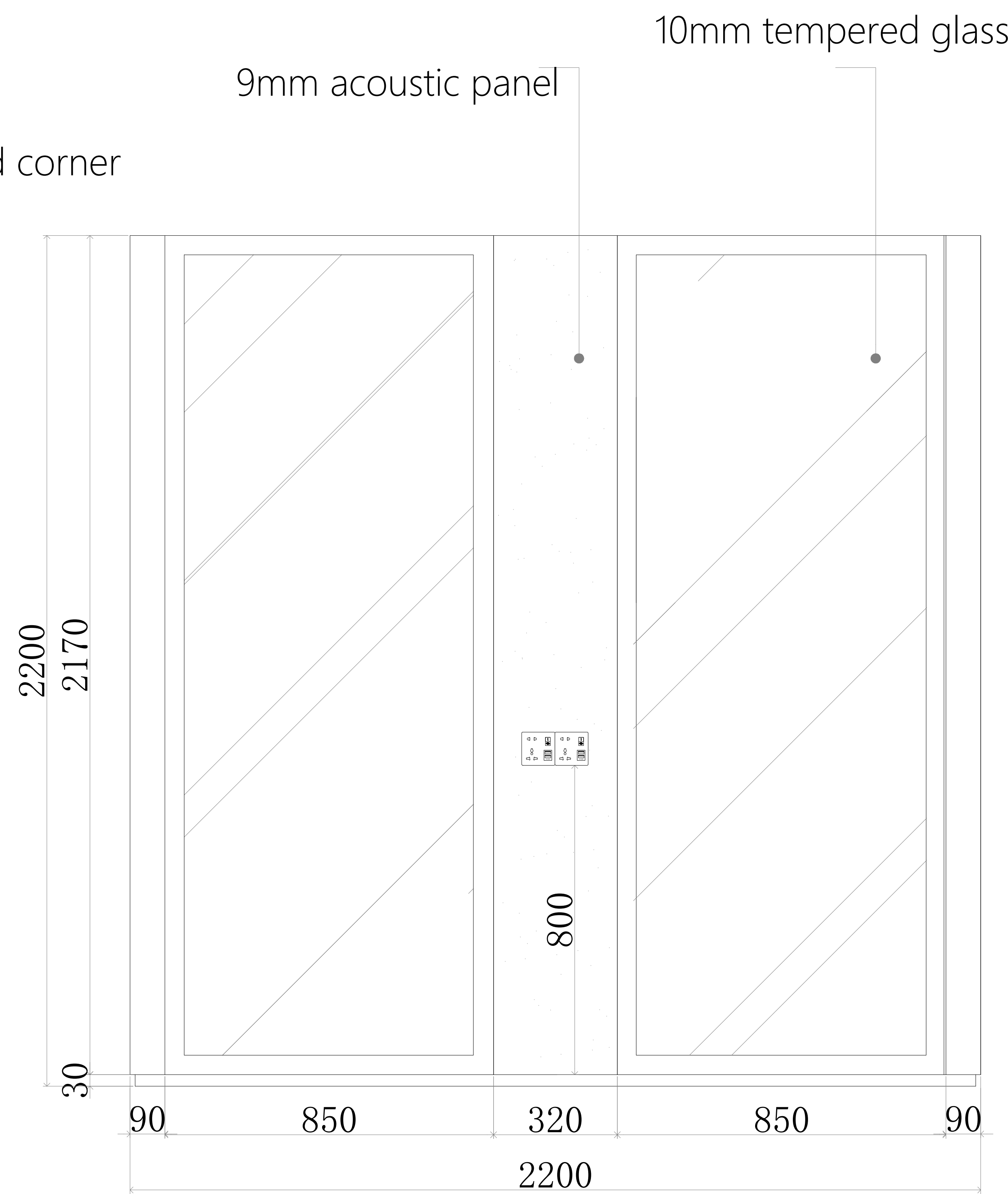
Wall B-Exterior elevation



Wall B-Interior elevation

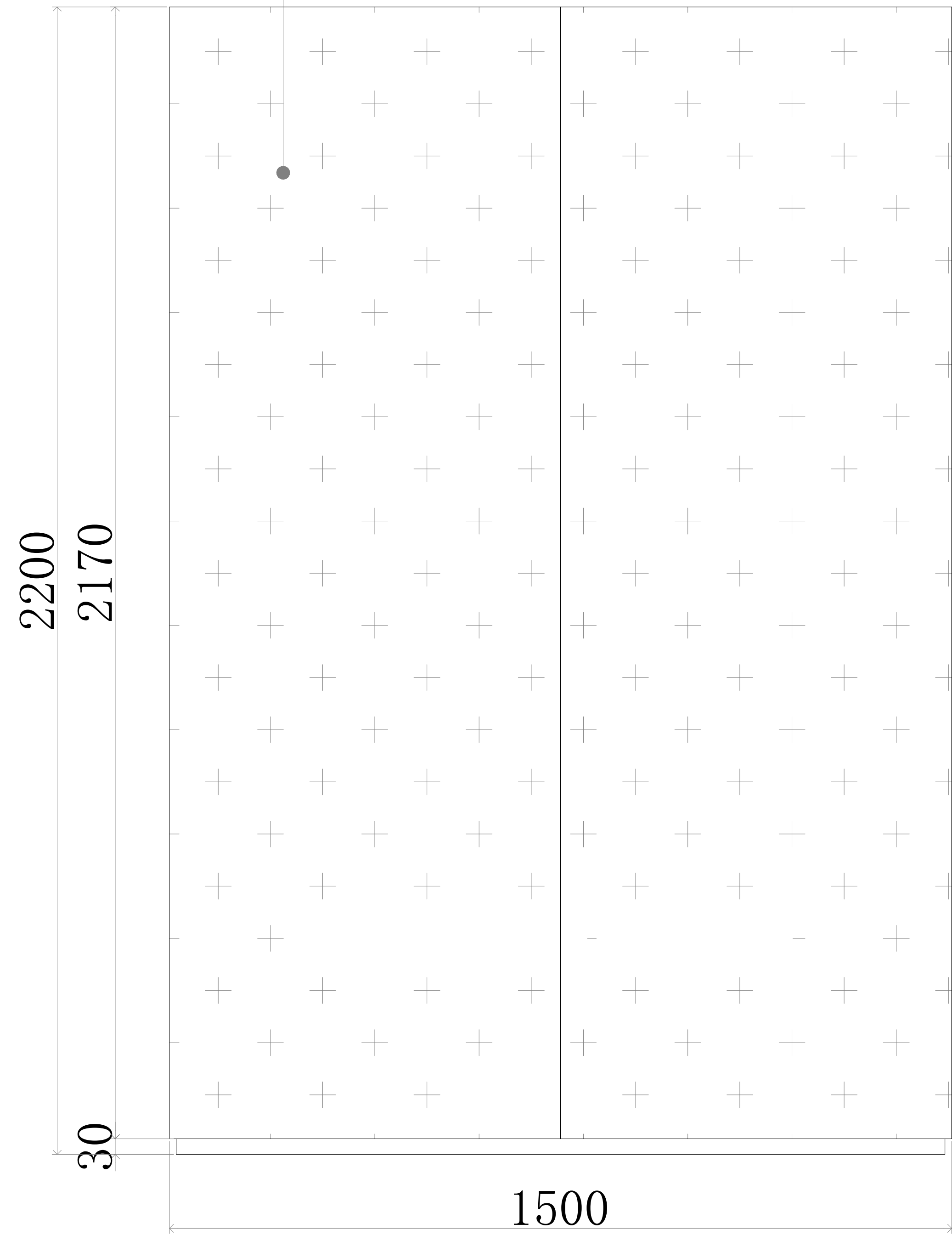


Wall C-Exterior elevation



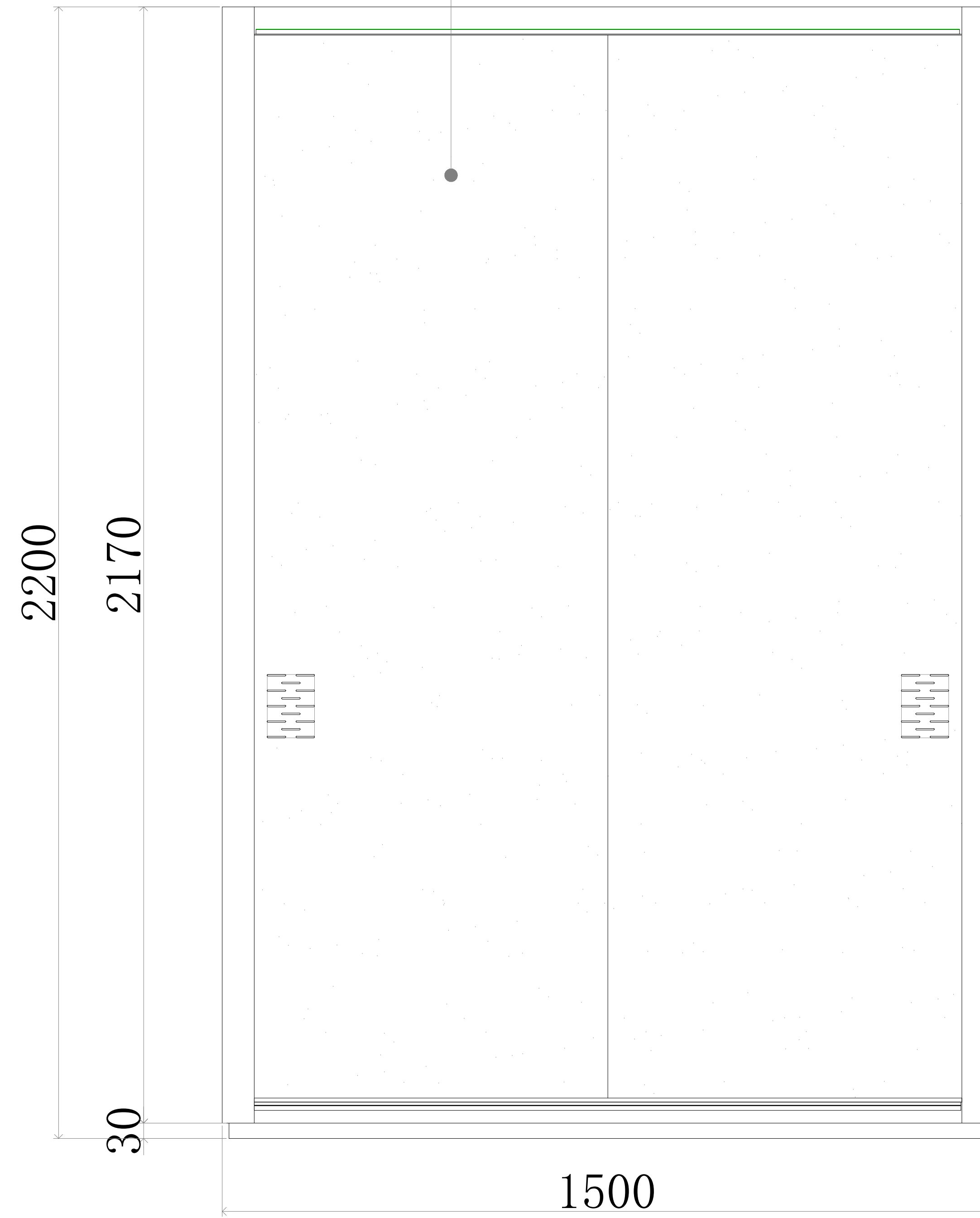
Wall C-Interior elevation

1.0mm steel panel
(powder-coated/filmed)



Wall D-Exterior elevation

9mm acoustic panel



Wall D-Interior elevation

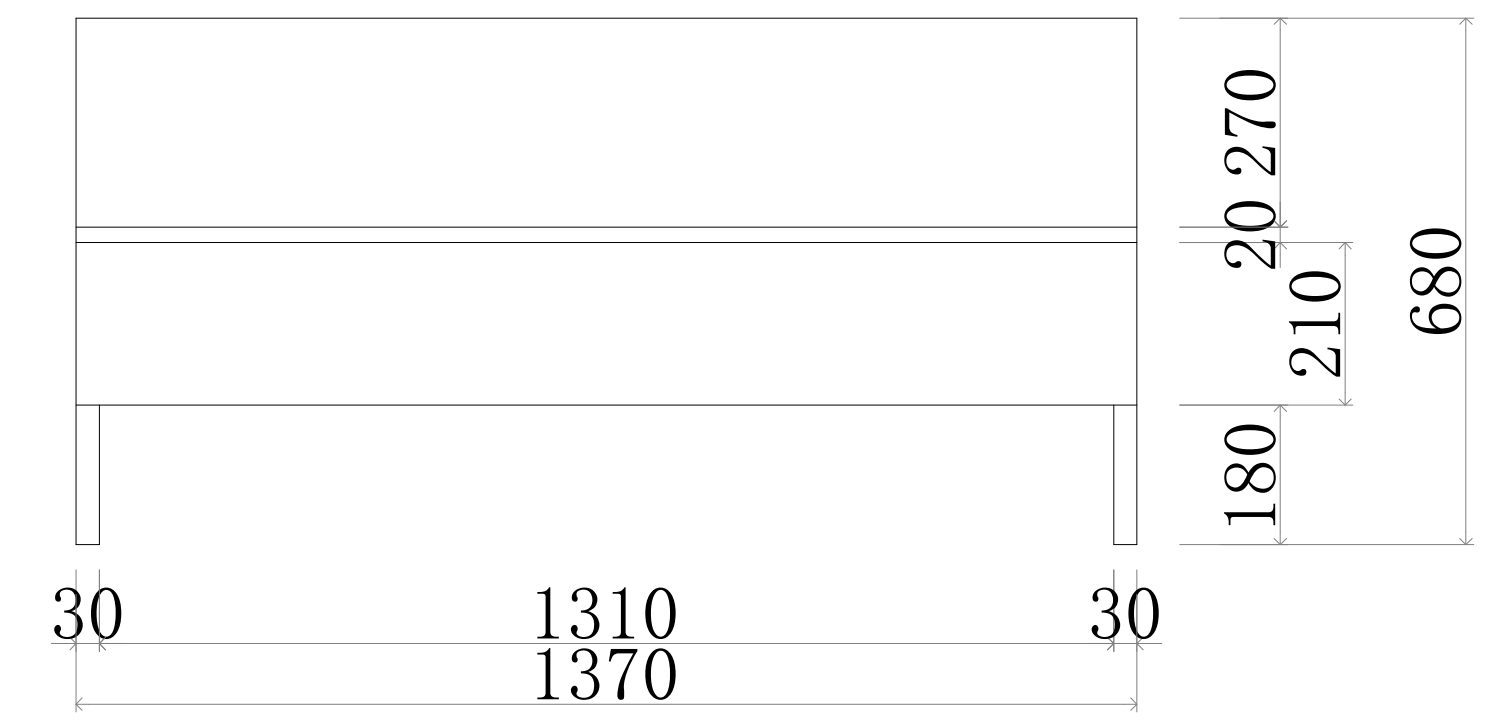
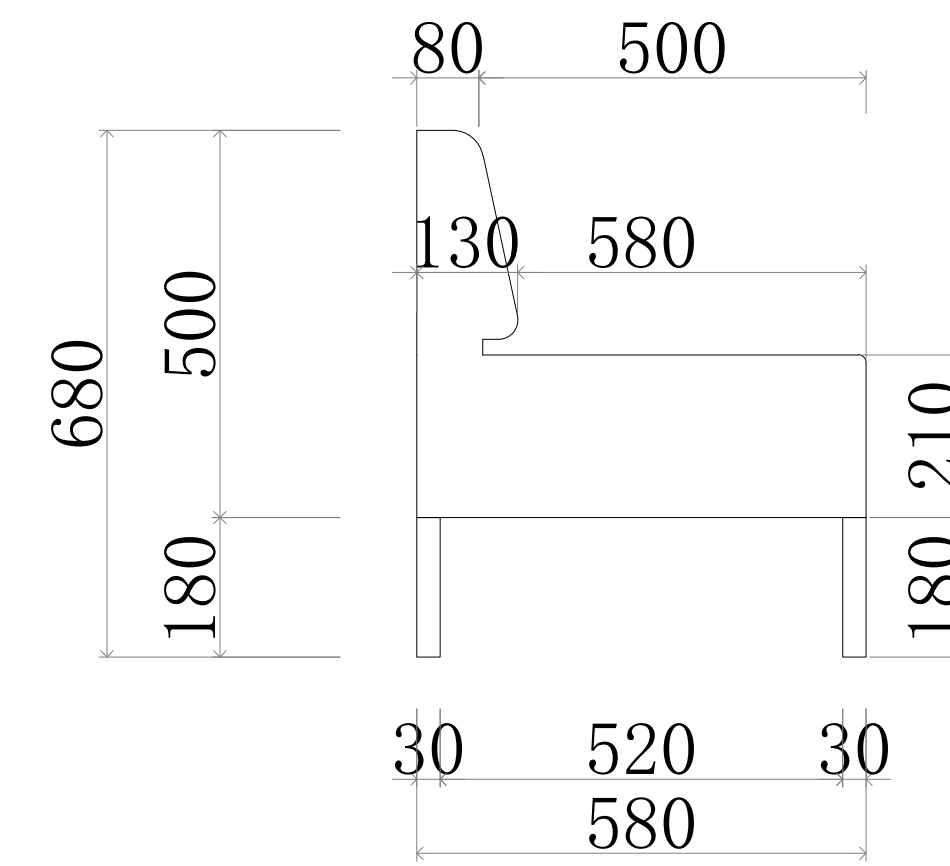
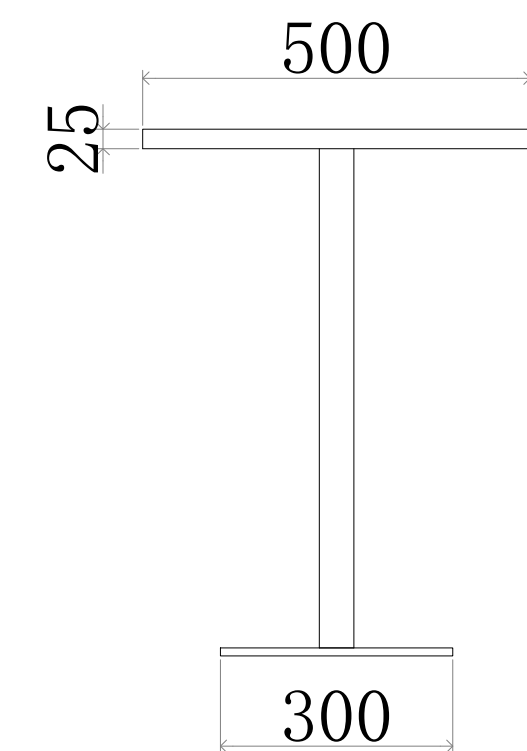
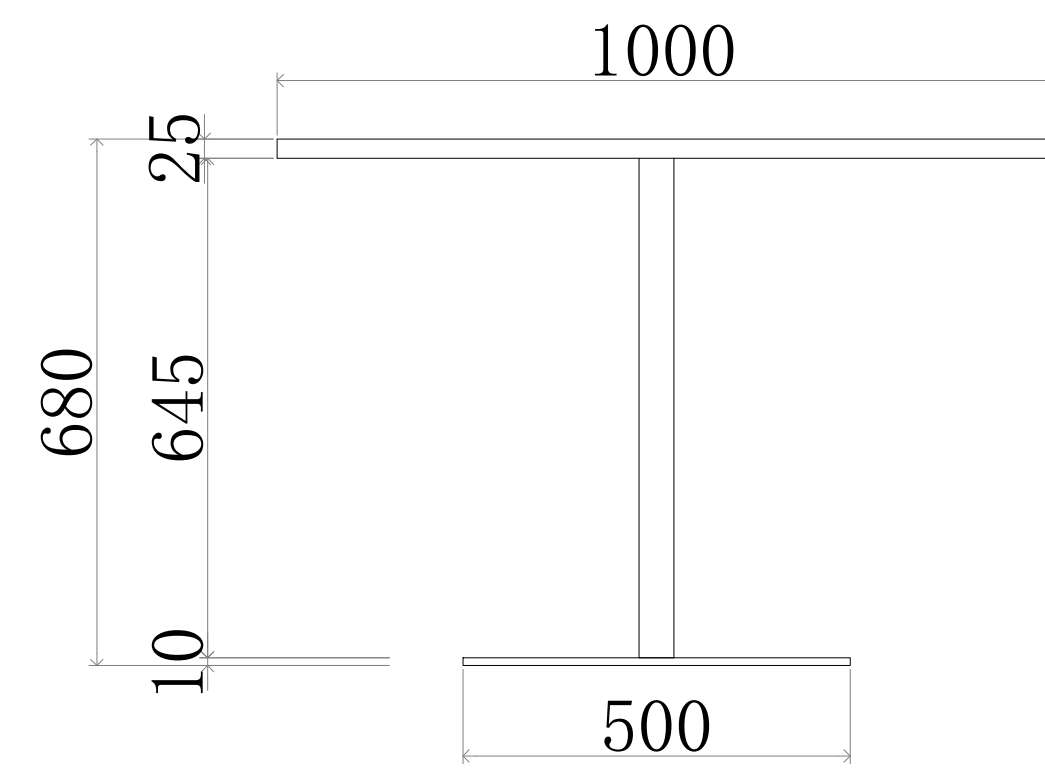
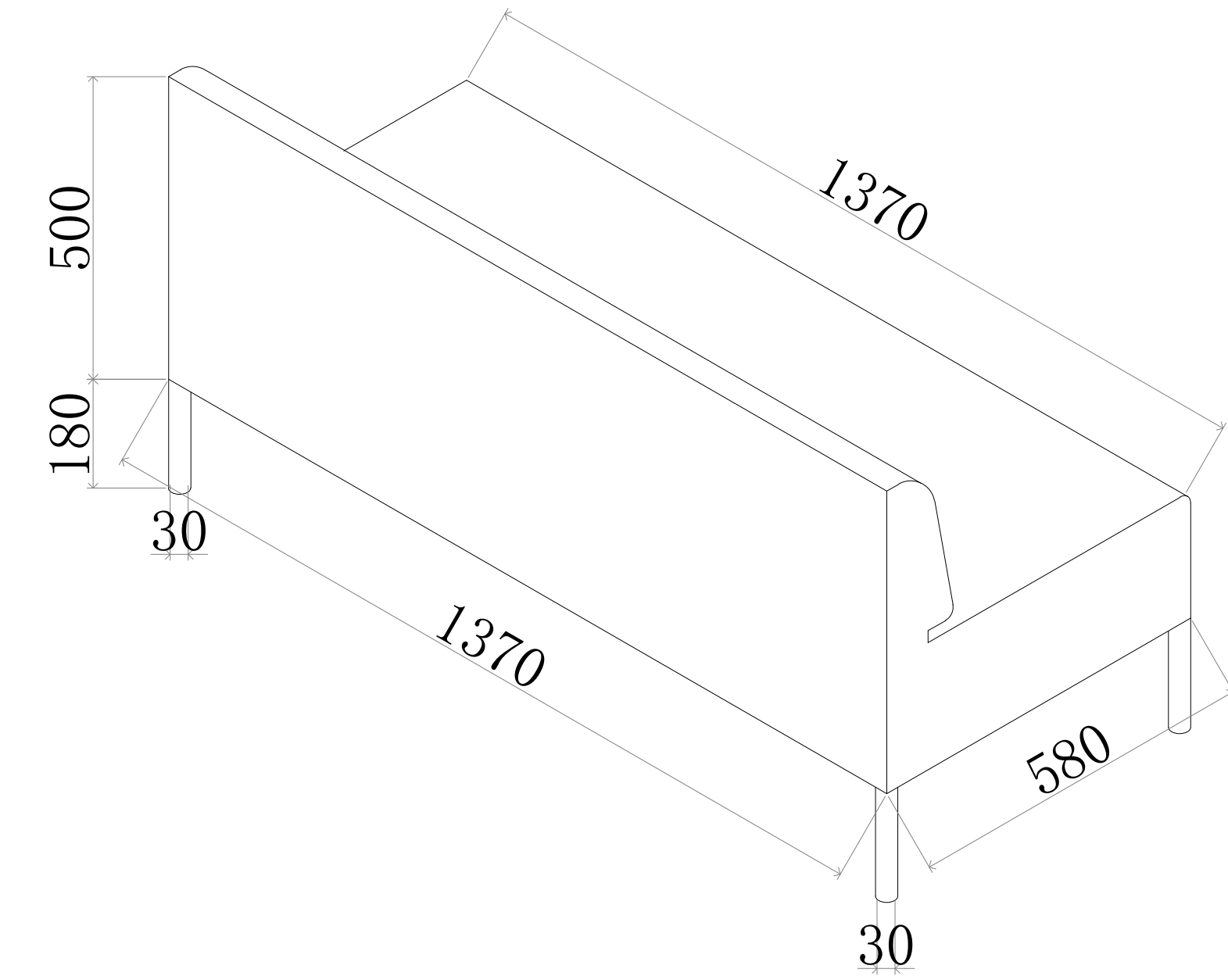
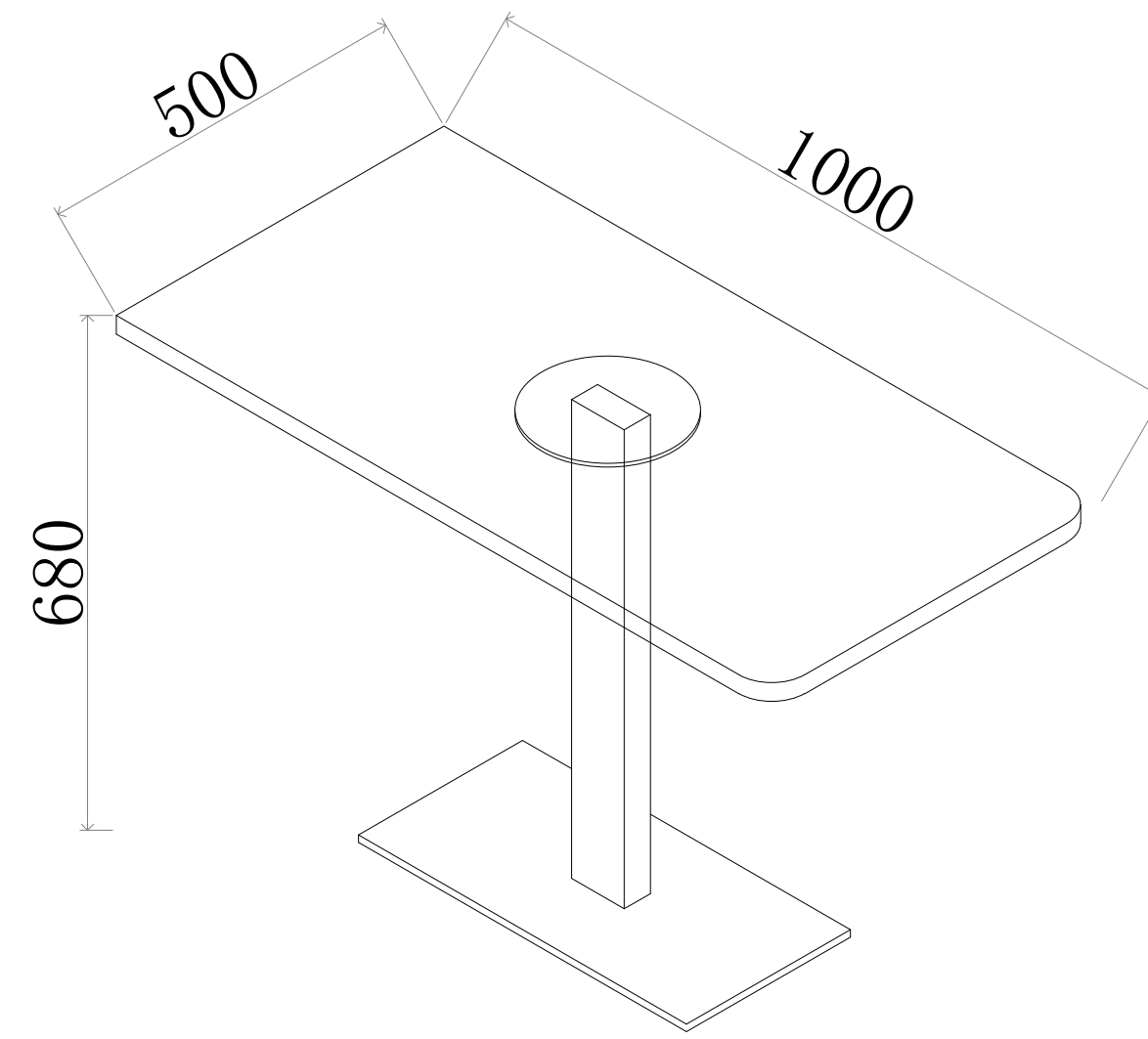
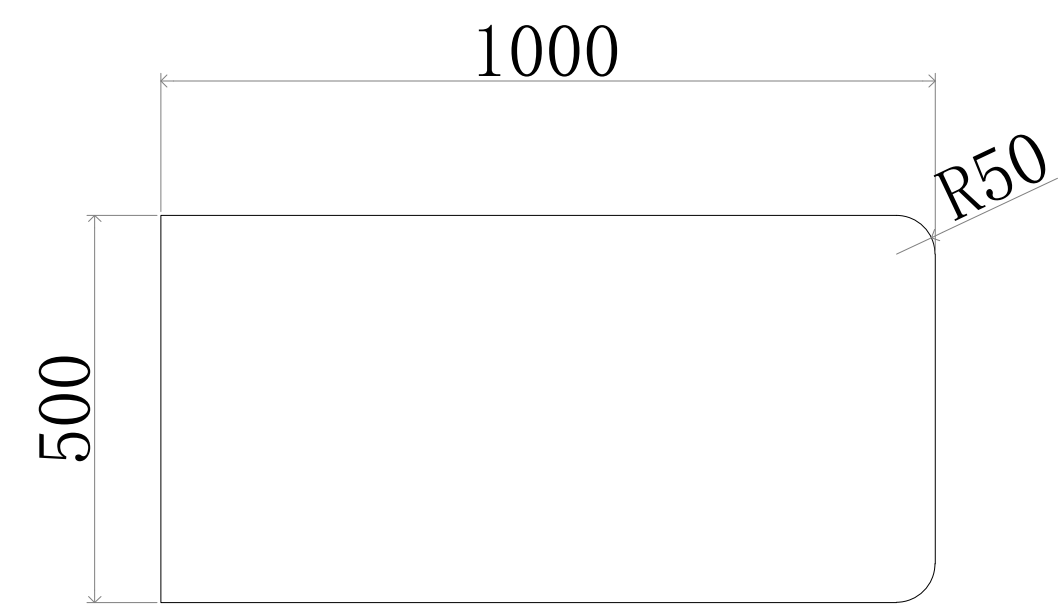


Table size drawing

Sofa size drawing