

# ASSEMBLY INSTRUCTIONS:

Product Code : WRML-305/1

Product Name: 1 Door Melamine Locker

## TIME REQUIRED:

45 minutes

## TOOLS REQUIRED:

Screwdriver, Electric Drill, Pencil, Measuring tape/Ruler

\*Tools are not included.

## SKILL REQUIRED:

Easy  Hard

The Assembly Skill Rating is a 5-point system that shows the degree of effort needed in assembling a specific product. With 1 being easy for the average person and 5 requiring an expert. For most products, two persons are recommended.

### NOTE

- As this is a commercial product, some intermediate skills may be required.
  - No pre-drill holes or markings are provided on our table or desk tops.
  - Please check you have all hardware before assembling.
- If you are missing any hardware, please contact your Rapidline reseller. Please ensure you have the name of the item, required hardware part and quantity.
  - Please retain your receipt as proof of purchase to validate your warranty.
- Assemble on a clean, flat, smooth surface such as a rug or carpet to avoid parts from being scratched.
  - Remove all wrapping materials, including staples and packing straps before you start to assemble
    - Keep all hardware parts out of reach of children.

### CAUTION

- Heavy product. Do not attempt to lift or move without help
- Do not tighten screws and bolts until completely assembled.
- Do not use this product unless all bolts and screws are firmly secured and tightened.

### WARNING

- If parts are missing, broken, damaged or worn stop using the product until all repairs are made.
  - Failure to follow these warnings could result in serious injury.



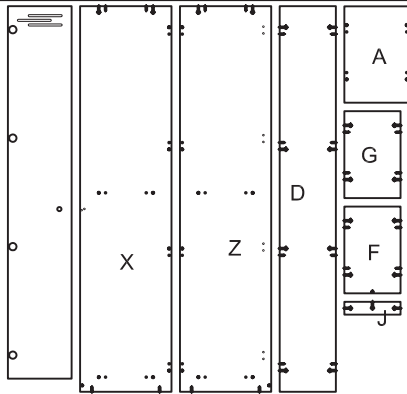
rapidline

# Assembly Instructions

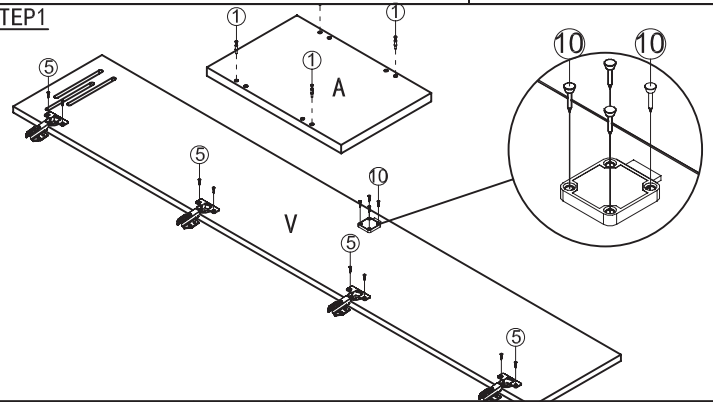
MODEL NO:WRML-305/1



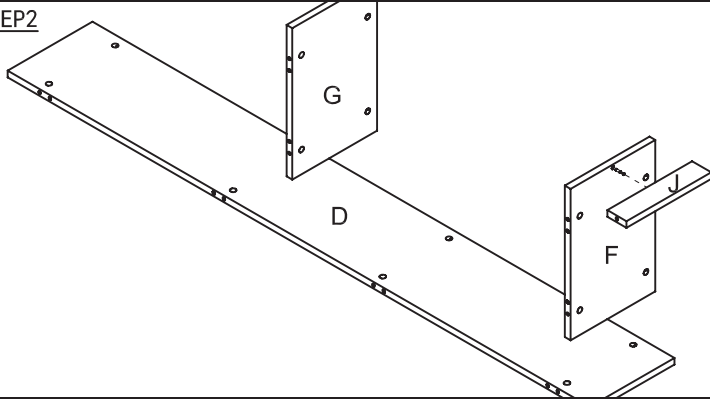
Pin #3 23PCS 1	ADJ. Feet #18x5H 4PCS 6
Cam 23PCS 2	Lock 1PCS 7
Cam Cover 23PCS 3	Lock Catcher 1PCS 8
Hinge (full-overlay) 4PCS 4	Wood Screw 3.5x13 2PCS 9
Wood Screw 4x16 24PCS 5	Wood Screw 4x20 4PCS 10



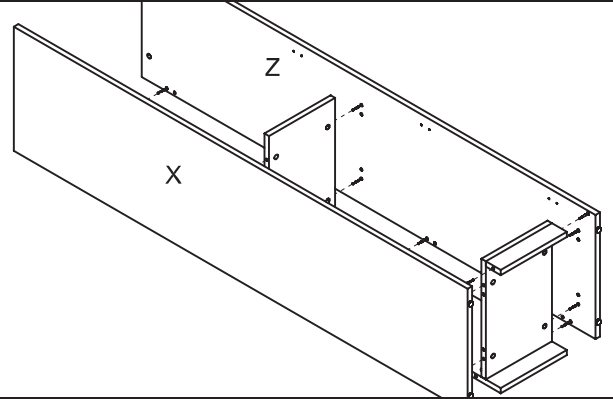
STEP1



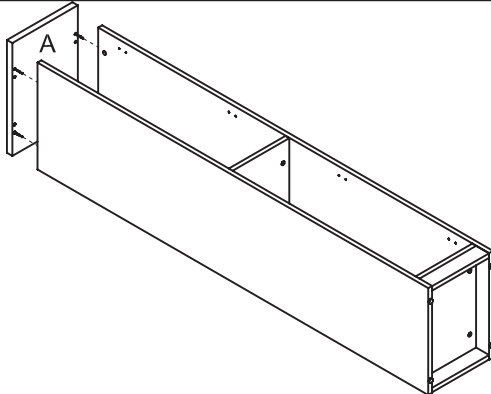
STEP2



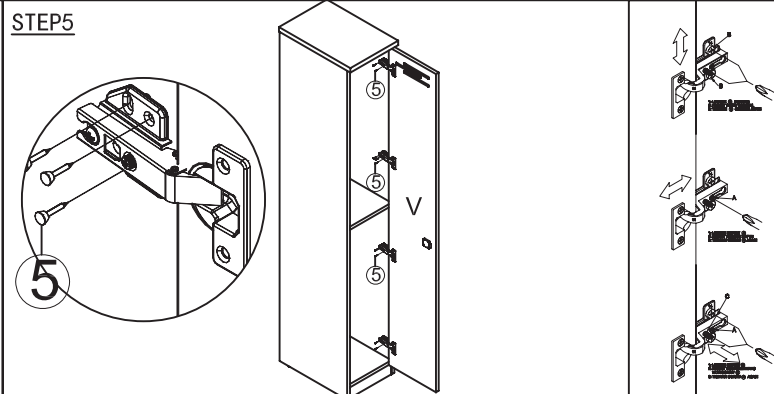
STEP3



STEP4



STEP5



## IMPORTANT NOTE:

- Place all laminated parts on a clean and smooth surface such as a rug or carpet to avoid the parts from being scratched.
- Check to be sure that you have all parts and hardware.
- Remove all wrapping materials, including staples & packing straps before you start to assemble.
- Don't tighten all screws/bolts until all completely assembled.
- Keep all hardware parts out of reach of children

