

ASSEMBLY INSTRUCTIONS:

Product Code : SP2FD18 / CSC2FD

Product Name: Rapid Span & Worker Cupboard

TIME REQUIRED:

40 minutes

TOOLS REQUIRED:

Screwdriver, Electric Drill, Pencil, Measuring tape/Ruler

*Tools are not included.

SKILL REQUIRED:

Easy ●●●●○ Hard

The Assembly Skill Rating is a 5-point system that shows the degree of effort needed in assembling a specific product. With 1 being easy for the average person and 5 requiring an expert. For most products, two persons are recommended.

NOTE

- As this is a commercial product, some intermediate skills may be required.
 - No pre-drill holes or markings are provided on our table or desk tops.
 - Please check you have all hardware before assembling.
- If you are missing any hardware, please contact your Rapidline reseller. Please ensure you have the name of the item, required hardware part and quantity.
 - Please retain your receipt as proof of purchase to validate your warranty.
- Assemble on a clean, flat, smooth surface such as a rug or carpet to avoid parts from being scratched.
 - Remove all wrapping materials, including staples and packing straps before you start to assemble
 - Keep all hardware parts out of reach of children.

CAUTION

- Heavy product. Do not attempt to lift or move without help
- Do not tighten screws and bolts until completely assembled.
- Do not use this product unless all bolts and screws are firmly secured and tightened.

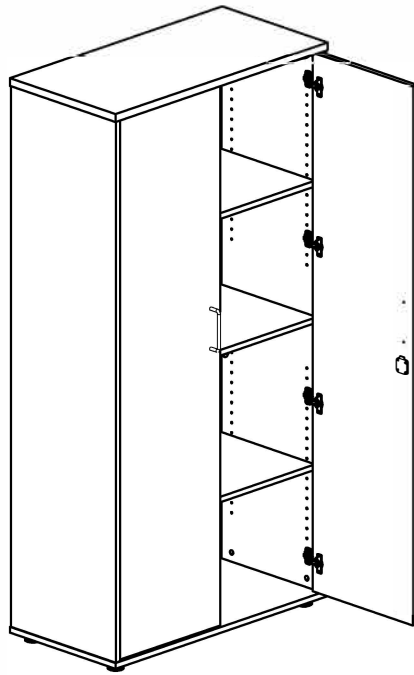
WARNING

- If parts are missing, broken, damaged or worn stop using the product until all repairs are made.
 - Failure to follow these warnings could result in serious injury.

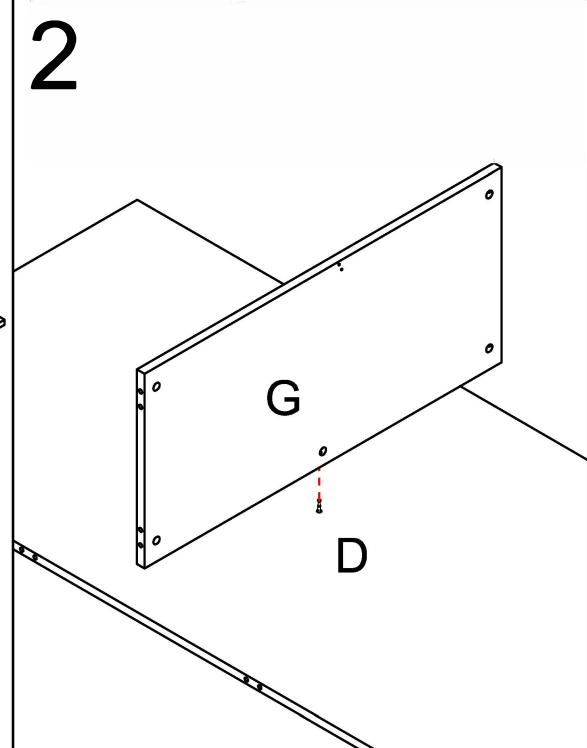
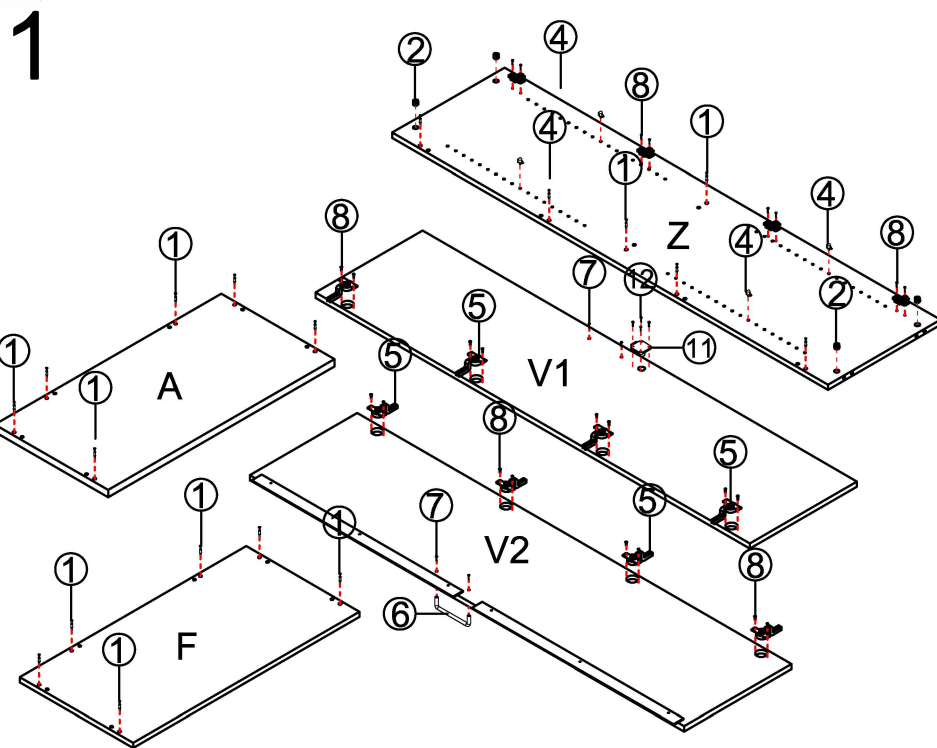
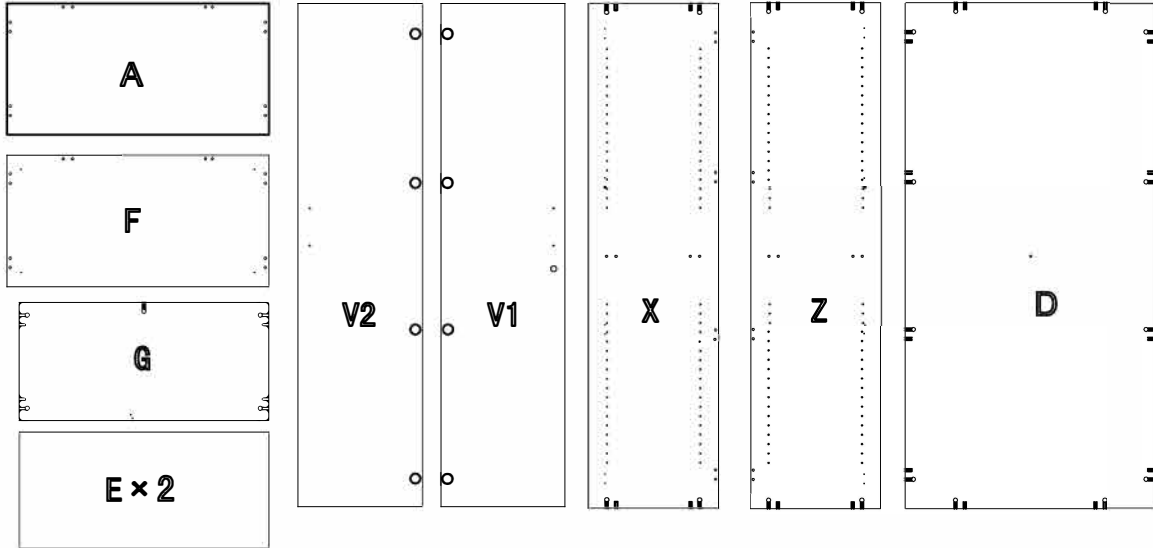
The logo for Rapidline, featuring the word "rapidline" in a lowercase, sans-serif font. The "i" in "rapid" has a small orange dot above it. The logo is set against a light blue rounded rectangular background.

ASSEMBLY INSTRUCTIONS

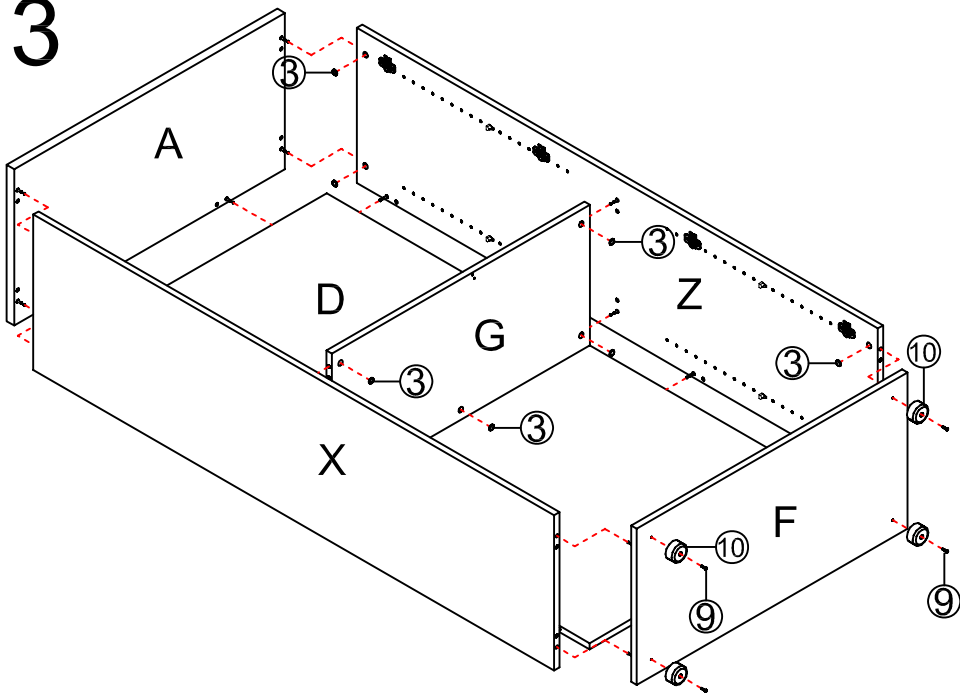
SP2FD18 / CSC2FD



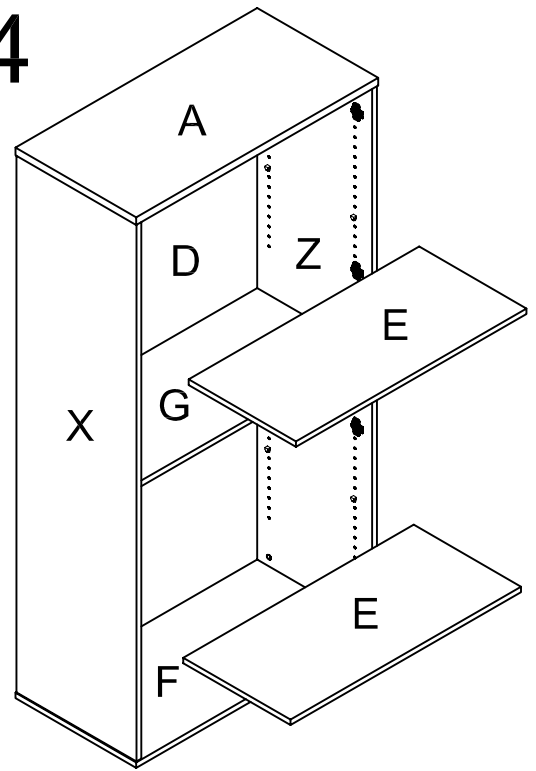
| | |
|-----------------------------------|------------------------------|
| pin 1 25PCS | 6×35 CAM 2 25PCS |
| Cam Cover 3 25PCS | Bolt Minifix 4 8PCS |
| Hinge&Mount Plate 5 8PCS | T-Handle 6 2PCS |
| Screw 7 4PCS | Screw 8 32PCS |
| Screw 9 4PCS | CUSHIOA 26H×62 10 4PCS |
| LOCK 11 1PCS | Screw 12 4PCS |
| Screw 13 2PCS | |



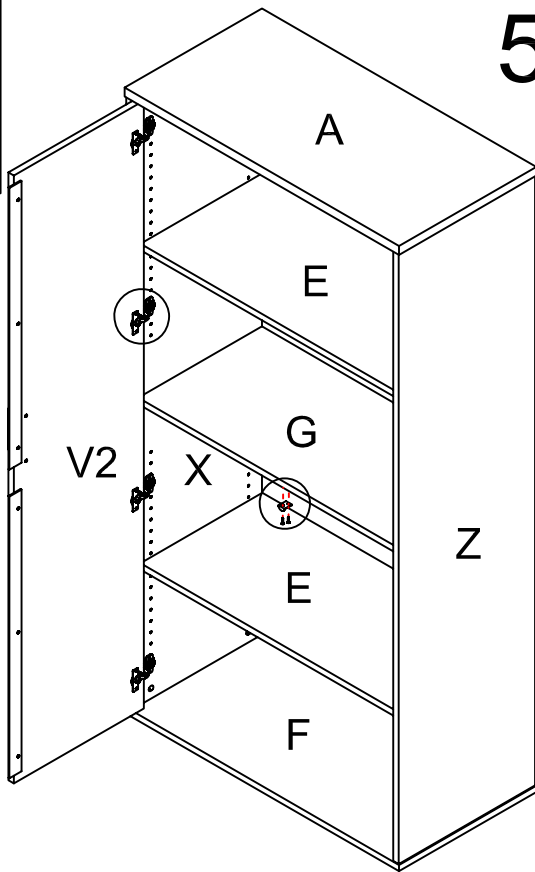
3



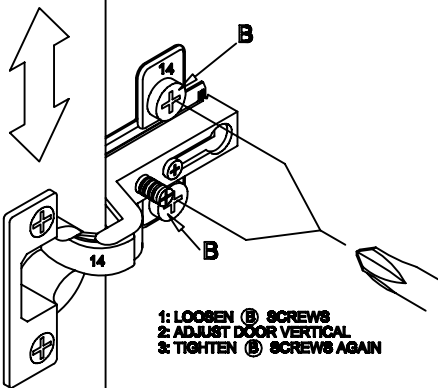
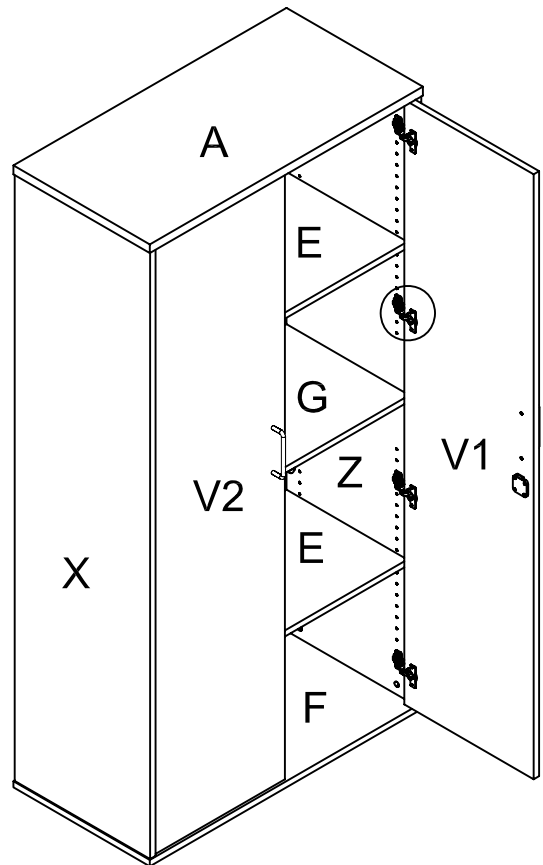
4



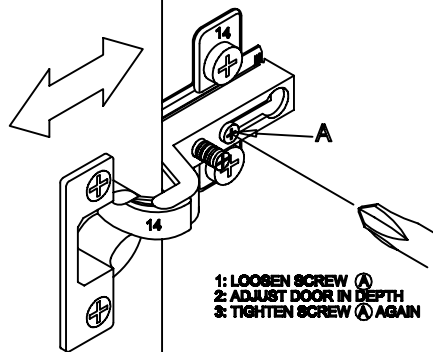
5



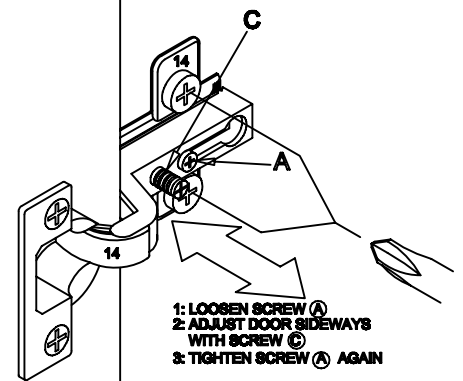
6



1: LOOSEN SCREW B
2: ADJUST DOOR VERTICAL
3: TIGHTEN SCREW B AGAIN



1: LOOSEN SCREW A
2: ADJUST DOOR IN DEPTH
3: TIGHTEN SCREW A AGAIN



1: LOOSEN SCREW A
2: ADJUST DOOR SIDWAYS
WITH SCREW C
3: TIGHTEN SCREW A AGAIN