

# ASSEMBLY INSTRUCTIONS:

Product Code : CBC9 / CBC12 / CBC18

Product Name: Rapid Worker Bookcase

## TIME REQUIRED:

30 minutes

## TOOLS REQUIRED:

Screwdriver, Electric Drill, Pencil, Measuring tape/Ruler

\*Tools are not included.

## SKILL REQUIRED:

Easy ●●●○○ Hard

The Assembly Skill Rating is a 5-point system that shows the degree of effort needed in assembling a specific product. With 1 being easy for the average person and 5 requiring an expert. For most products, two persons are recommended.

### NOTE

- As this is a commercial product, some intermediate skills may be required.
  - No pre-drill holes or markings are provided on our table or desk tops.
  - Please check you have all hardware before assembling.
- If you are missing any hardware, please contact your Rapidline reseller. Please ensure you have the name of the item, required hardware part and quantity.
  - Please retain your receipt as proof of purchase to validate your warranty.
- Assemble on a clean, flat, smooth surface such as a rug or carpet to avoid parts from being scratched.
  - Remove all wrapping materials, including staples and packing straps before you start to assemble
    - Keep all hardware parts out of reach of children.

### CAUTION

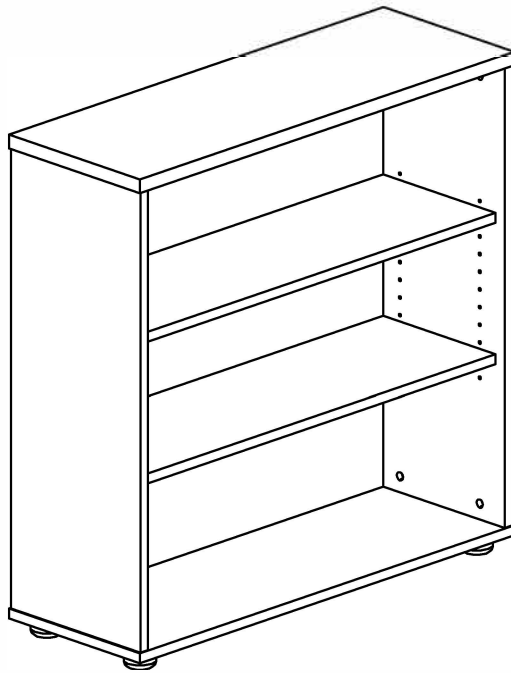
- Heavy product. Do not attempt to lift or move without help
- Do not tighten screws and bolts until completely assembled.
- Do not use this product unless all bolts and screws are firmly secured and tightened.

### WARNING

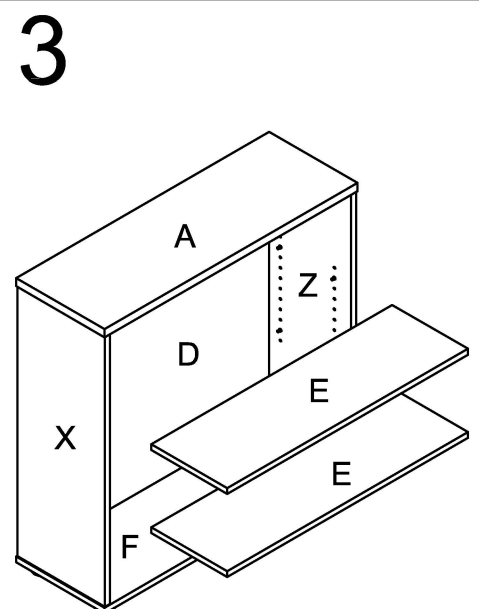
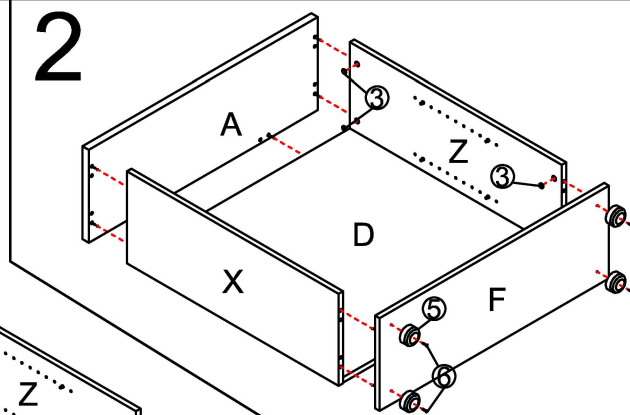
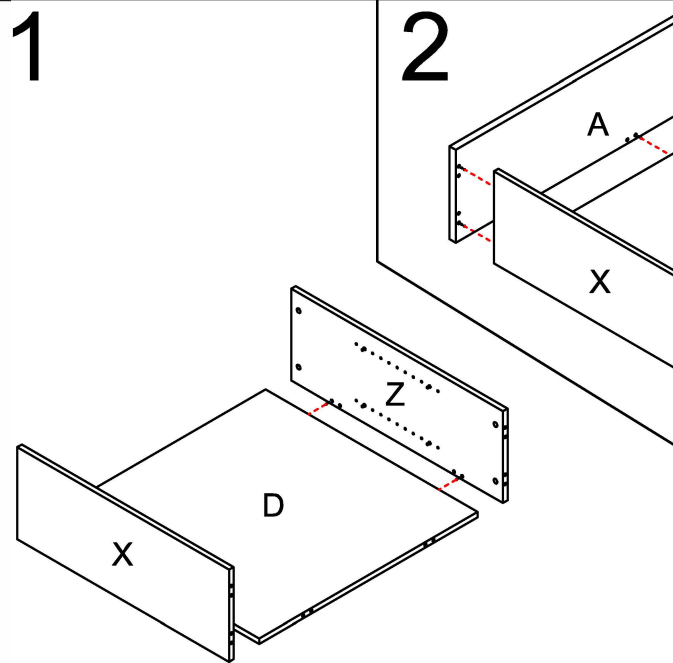
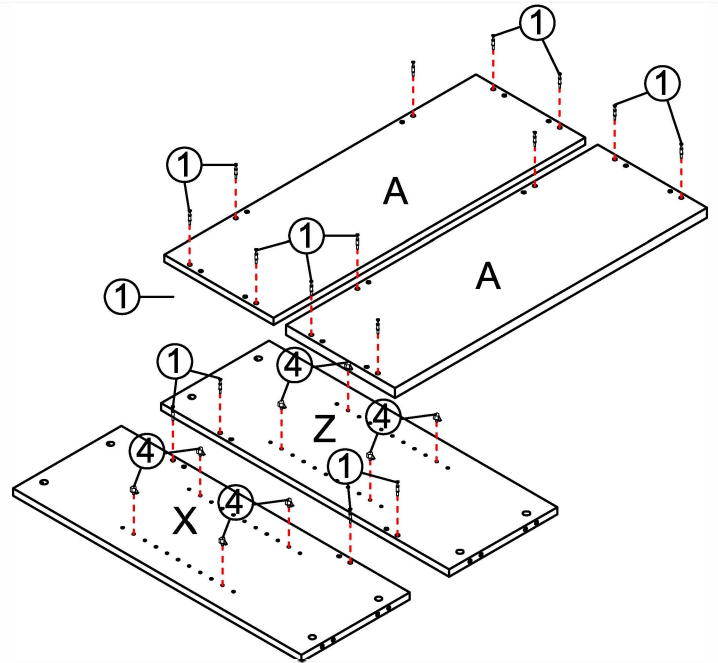
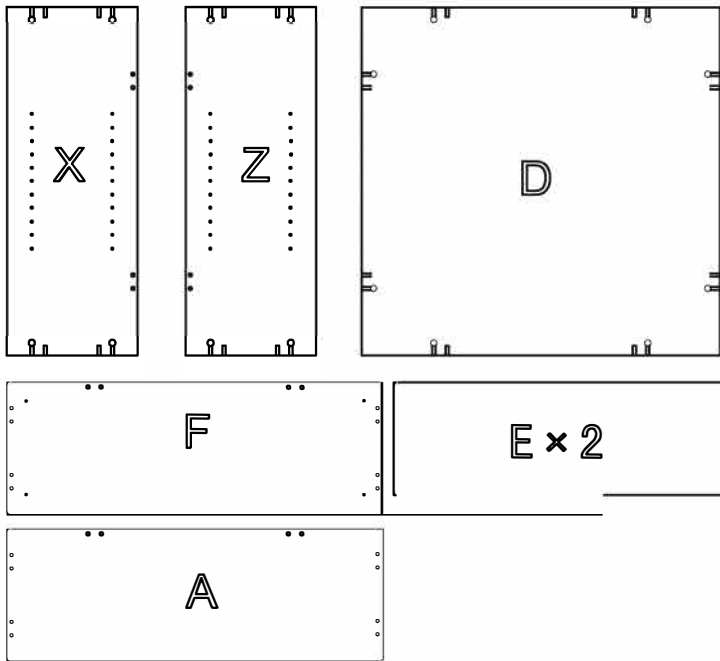
- If parts are missing, broken, damaged or worn stop using the product until all repairs are made.
  - Failure to follow these warnings could result in serious injury.

The logo for Rapidline, featuring the word "rapidline" in a lowercase, sans-serif font. The "i" in "rapid" has a small orange dot above it. The logo is set against a light blue rounded rectangular background.

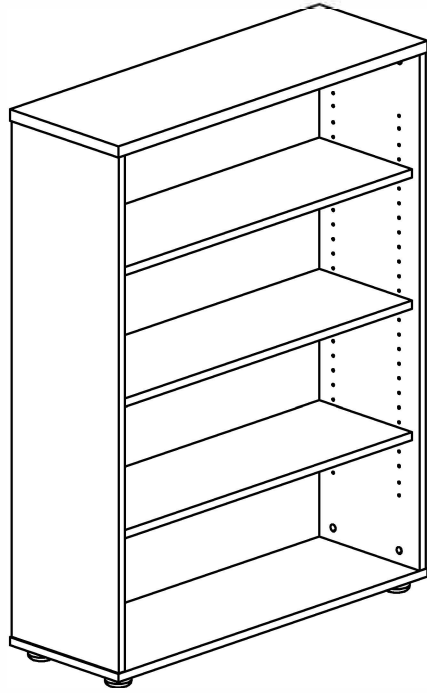
# CBC9



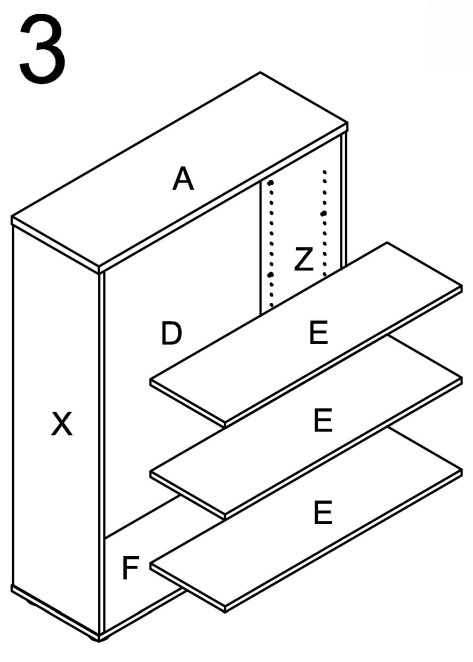
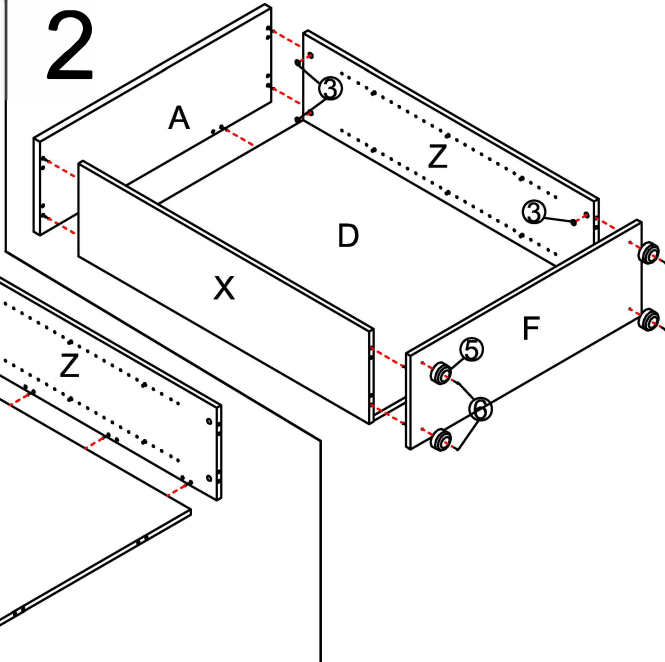
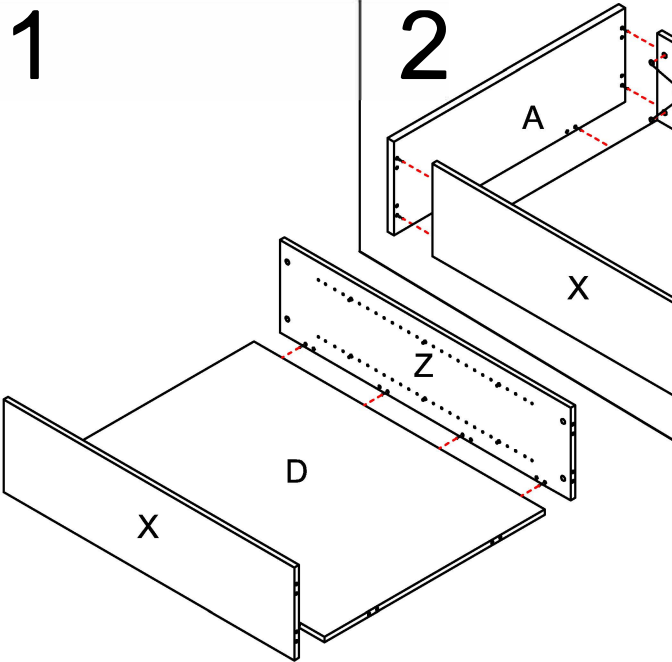
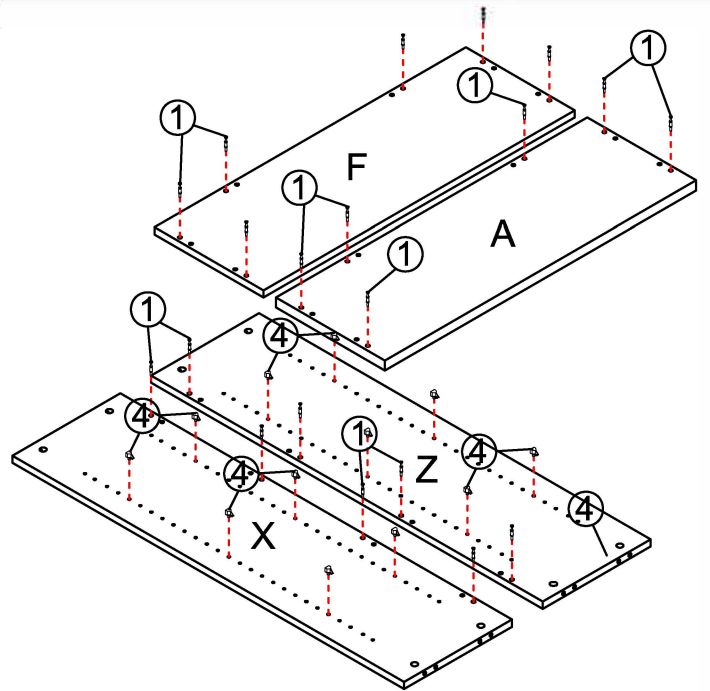
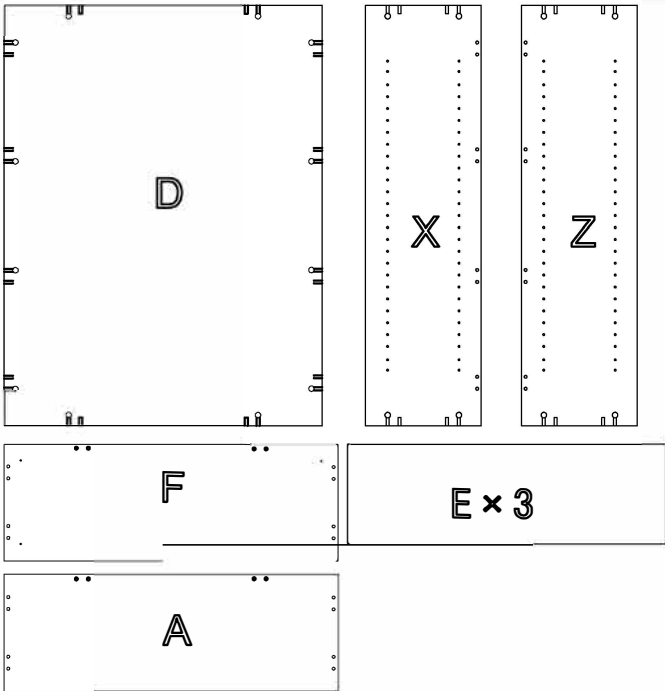
pin	6x35	
1		16PCS
CAM		
2		16PCS
Cam Cover		
3		16PCS
Cam Nut		
4		8PCS
CASTER 25R x $\phi$ 62		
5		4PCS
Screw	4x30	
6		4PCS



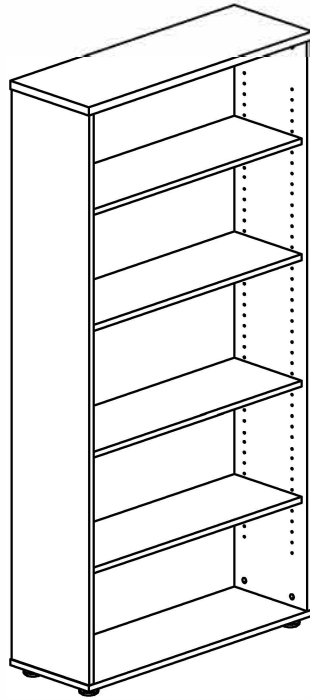
# CBC12



pin 6x35	1	20PCS
CAM	2	20PCS
Cam Cover	3	20PCS
Bolt Minifix	4	12PCS
CUSHIOA 25Hx φ52	5	4PCS
Screw 4x30	6	4PCS



# CBC18



pin 6x35	1	20PCS
CAM	2	20PCS
Cam Cover	3	20PCS
Bot Minib	4	16PCS
CUSHROA 25Hx φ 62	5	4PCS
Screw 4x30	6	4PCS

