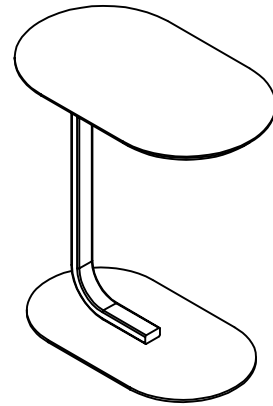




# Assembly Instructions

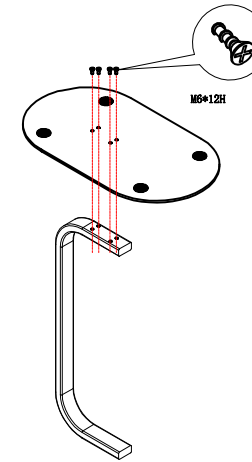
MODEL NO: SSTF500

rapidline

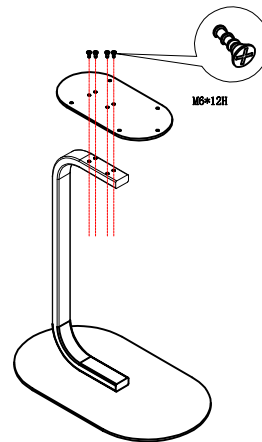


	M6*12H 8pcs
	M5*20H 5pcs

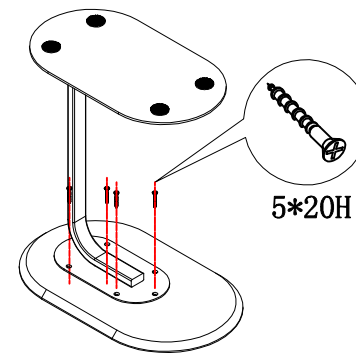
## STEP 1



## STEP 2



## STEP 3



### IMPORTANT NOTE:

- Place all laminated parts on a clean and smooth surface such as a rug or carpet to avoid the parts from being scratched.
- Check to be sure that you have all parts and hardware.
- Remove all wrapping materials, including staples & packing straps before you start to assemble.
- Don't tighten all screws/bolts until all completely assembled.
- Keep all hardware parts out of reach of children

