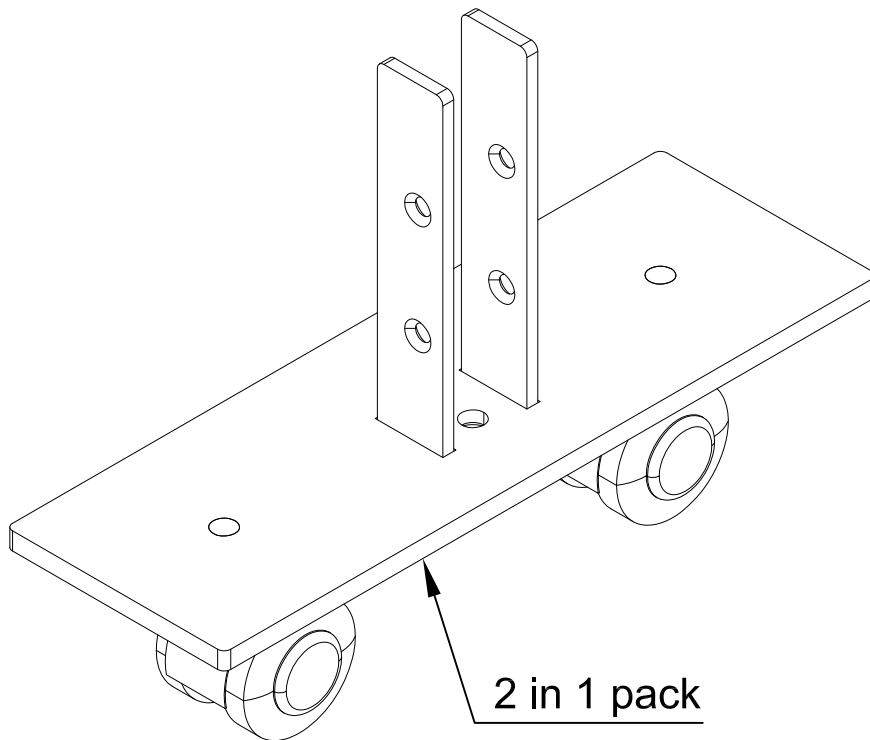
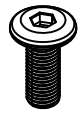


Assembly Instructions

MODEL NO: RSFOOT



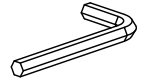
Bolt Screw 8×20



1

2PCS

Allen Wrench M5



2

1PCS

Wood Screw 5×25



3

8PCS

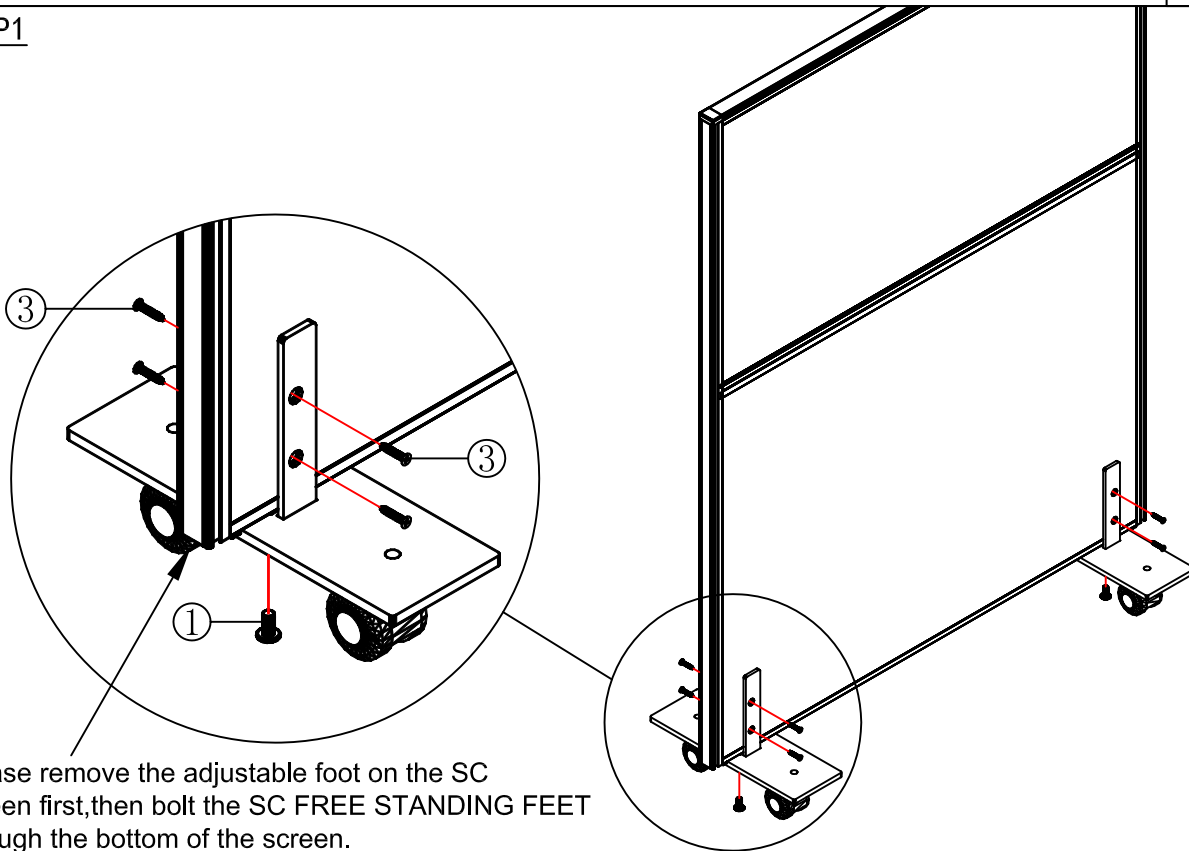
Wood Screw 4×16



4

8PCS

STEP1



Please remove the adjustable foot on the SC screen first, then bolt the SC FREE STANDING FEET through the bottom of the screen.

IMPORTANT NOTE:

- Place all laminated parts on a clean and smooth surface such as a rug or carpet to avoid the parts from being scratched.
- Check to be sure that you have all parts and hardware.
- Remove all wrapping materials, including staples & packing straps before you start to assemble.
- Don't tighten all screws/bolts until all completely assembled.
- Keep all hardware parts out of reach of children

