

ASSEMBLY INSTRUCTIONS:

Product Code : RTB1050 - Base Only / CDBT6 - Dry Bar Table

Product Name: Disc Base Dry Bar Table

TIME REQUIRED:

20 minutes

TOOLS REQUIRED:

Screwdriver, Electric Drill, Pencil, Measuring tape/Ruler

*Tools are not included.

SKILL REQUIRED:

Easy  Hard

The Assembly Skill Rating is a 5-point system that shows the degree of effort needed in assembling a specific product. With 1 being easy for the average person and 5 requiring an expert. For most products, two persons are recommended.

NOTE

- As this is a commercial product, some intermediate skills may be required.
 - No pre-drill holes or markings are provided on our table or desk tops.
 - Please check you have all hardware before assembling.
- If you are missing any hardware, please contact your Rapidline reseller. Please ensure you have the name of the item, required hardware part and quantity.
 - Please retain your receipt as proof of purchase to validate your warranty.
- Assemble on a clean, flat, smooth surface such as a rug or carpet to avoid parts from being scratched.
 - Remove all wrapping materials, including staples and packing straps before you start to assemble
 - Keep all hardware parts out of reach of children.


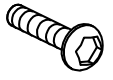
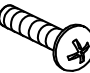
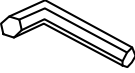
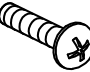
CAUTION

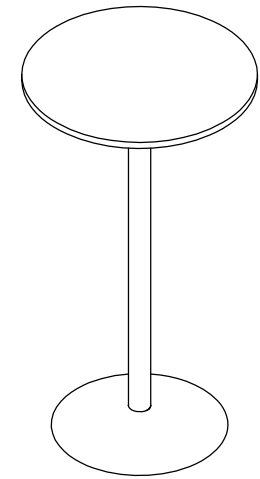
- Heavy product. Do not attempt to lift or move without help
- Do not tighten screws and bolts until completely assembled.
- Do not use this product unless all bolts and screws are firmly secured and tightened.

WARNING

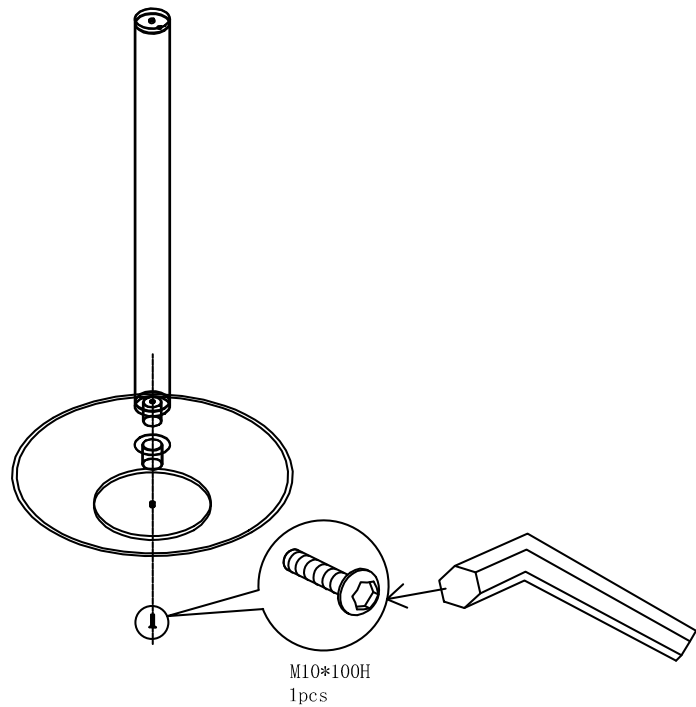
- If parts are missing, broken, damaged or worn stop using the product until all repairs are made.
 - Failure to follow these warnings could result in serious injury.

ASSEMBLY INSTRUCTIONS

	M5*20H 4pcs		M10*100H 1pcs
	M10*30H 1pcs		1pcs
	M6*30H 1pcs		

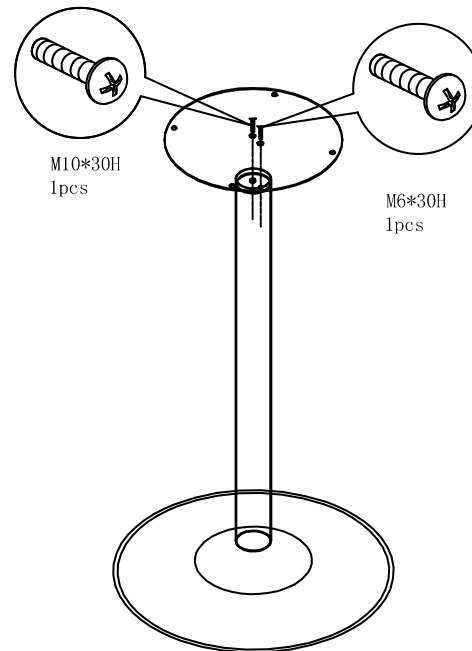


Step 1.
Attach Bottom Disc to the base of the centre pole



1

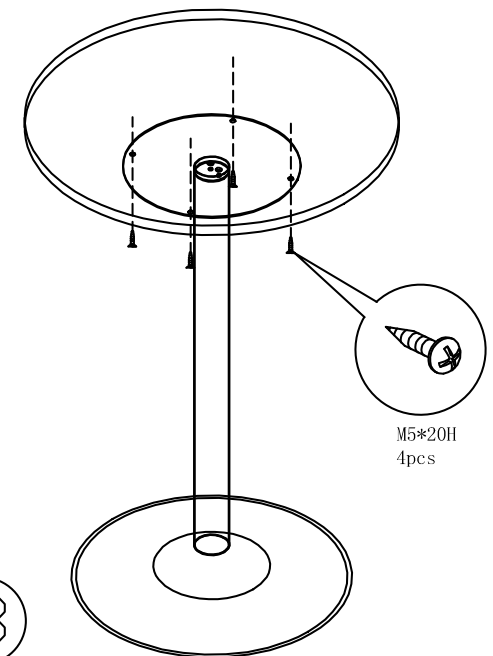
Step 2.
Attach top disc to top of the pole



2

Step 3.
Centre the top on base then attach top using screws indicated.

Note: it may be easier to do this upside down with the top on a soft surface, and the frame centred upside down on the top.
Use a pencil to mark the screw locations and pre-drill holes first if necessary



3