

ASSEMBLY INSTRUCTIONS:

Product Code : GSC9422

Product Name: Rapidline Shelving Unit

rapidline

TIME REQUIRED:

30 minutes

TOOLS REQUIRED:

Screwdriver, Electric Drill, Pencil, Measuring tape/Ruler

*Tools are not included.

SKILL REQUIRED:

Easy ●●●●○ Hard

The Assembly Skill Rating is a 5-point system that shows the degree of effort needed in assembling a specific product. With 1 being easy for the average person and 5 requiring an expert. For most products, two persons are recommended.

NOTE

- As this is a commercial product, some intermediate skills may be required.
 - No pre-drill holes or markings are provided on our table or desk tops.
 - Please check you have all hardware before assembling.
- If you are missing any hardware, please contact your Rapidline reseller. Please ensure you have the name of the item, required hardware part and quantity.
 - Please retain your receipt as proof of purchase to validate your warranty.
- Assemble on a clean, flat, smooth surface such as a rug or carpet to avoid parts from being scratched.
 - Remove all wrapping materials, including staples and packing straps before you start to assemble
 - Keep all hardware parts out of reach of children.

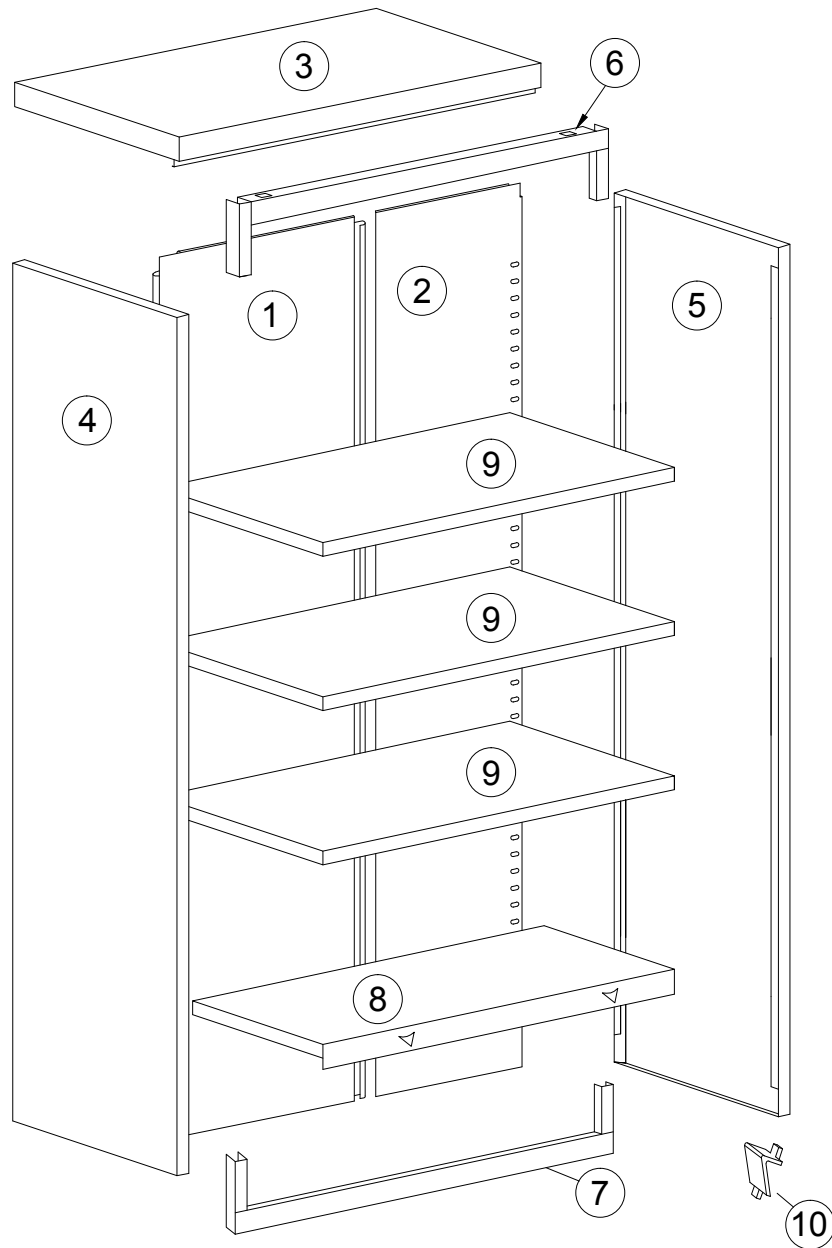
CAUTION

- Heavy product. Do not attempt to lift or move without help
- Do not tighten screws and bolts until completely assembled.
- Do not use this product unless all bolts and screws are firmly secured and tightened.

WARNING

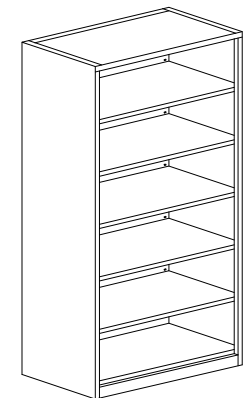
- If parts are missing, broken, damaged or worn stop using the product until all repairs are made.
 - Failure to follow these warnings could result in serious injury.

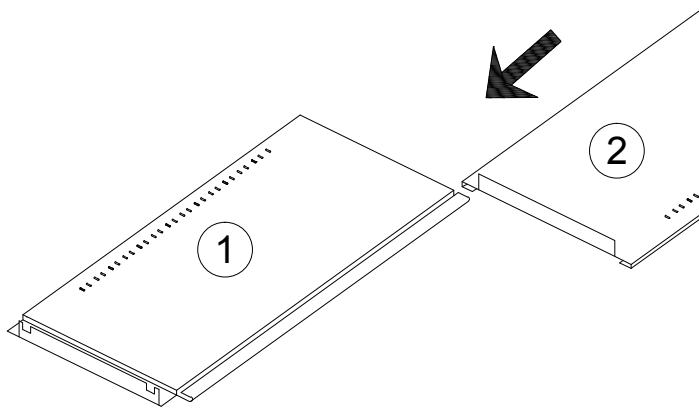
Assembly Instructions : GSC9422



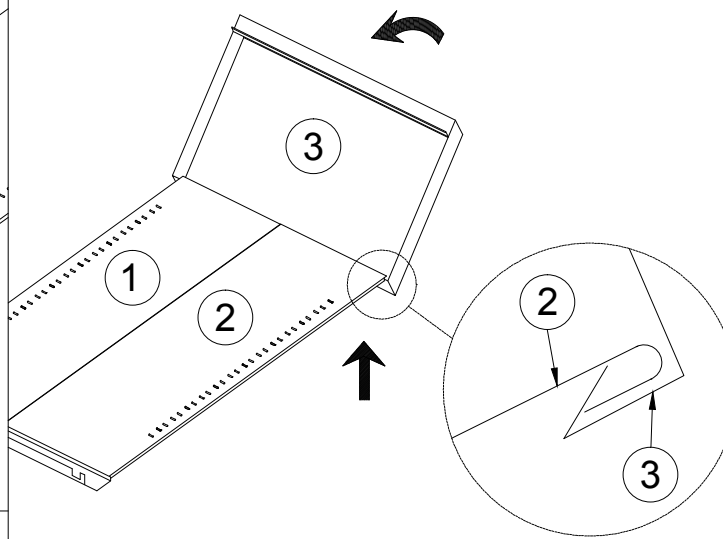
PART LIST

No.	COMPONENT	QUANTITY
01	LH BACK	01
02	RH BACK	01
03	TOP	01
04	LH SIDE	01
05	RH SIDE	01
06	'U' FRAME	01
07	KICK PLATE	01
08	BOTTOM	01
09	SHELF	05
10	SHELF SUPPORTS	20

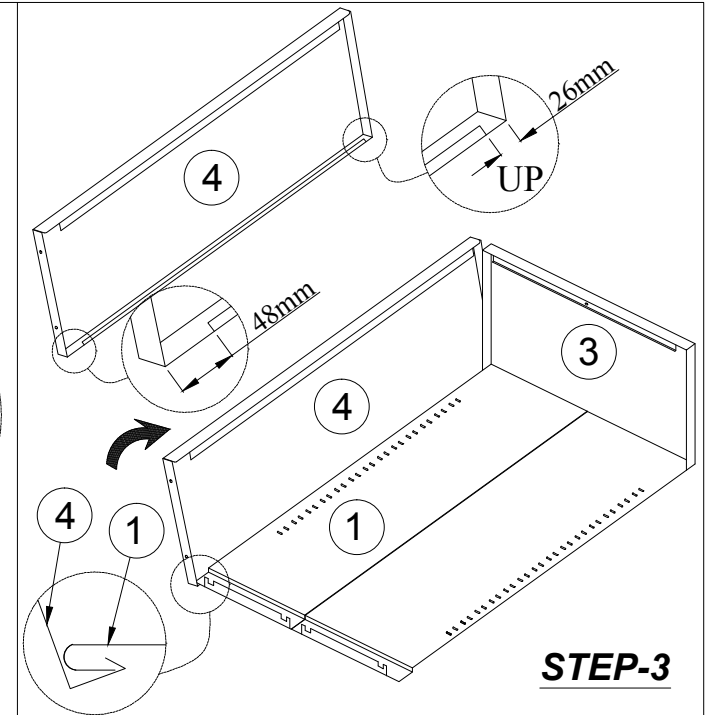




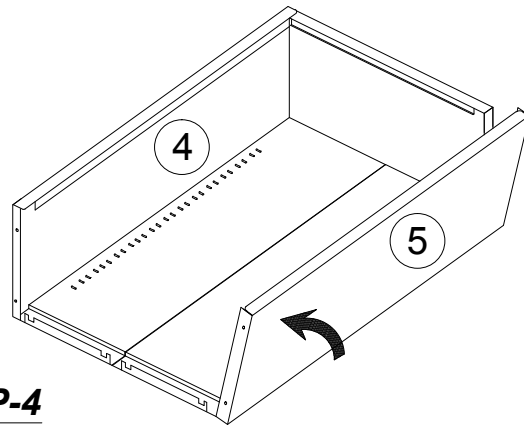
STEP-1



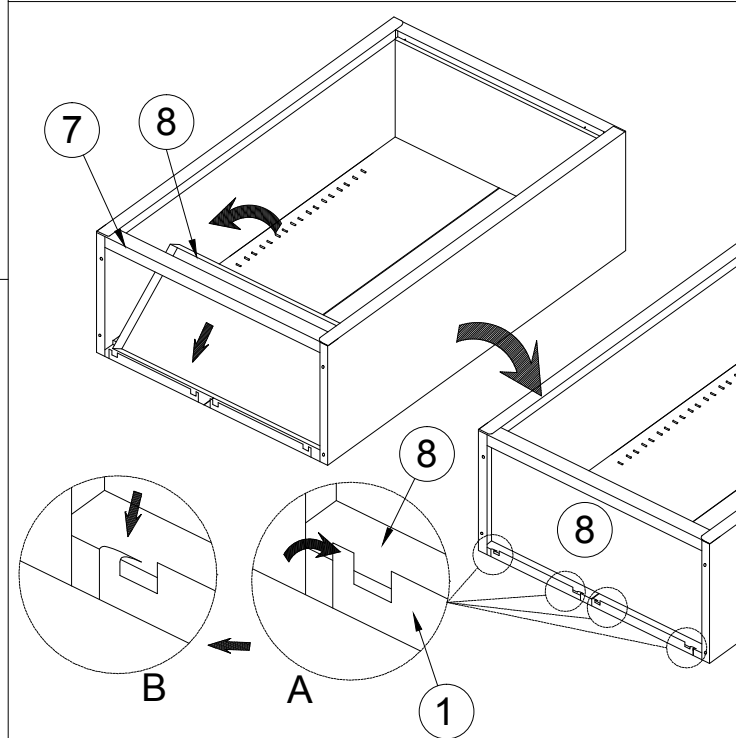
STEP-2



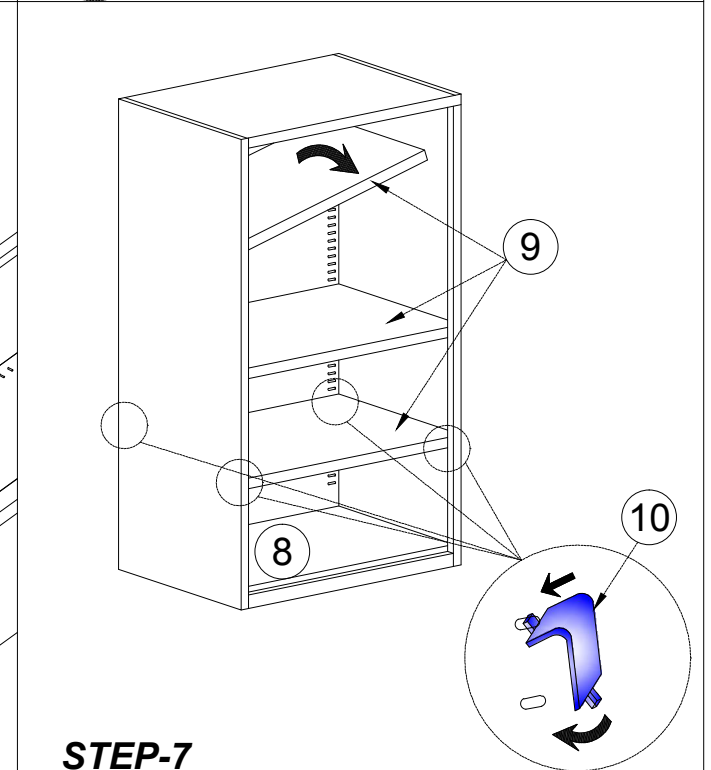
STEP-3



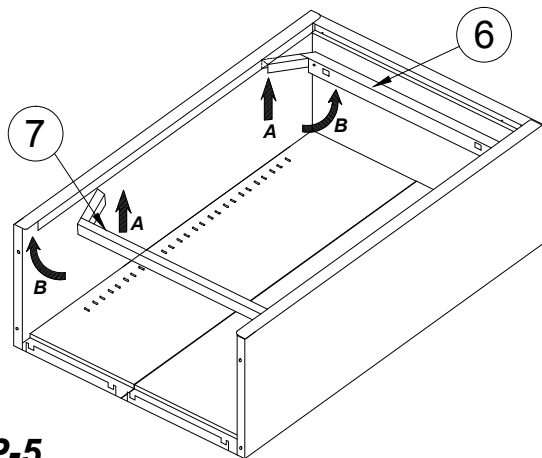
STEP-4



STEP-6



STEP-7



STEP-5