

# ASSEMBLY INSTRUCTIONS:

Product Code : FBT2410 & BFF2410 (frame only)

Product Name: Rapid Edge Folding Table

## TIME REQUIRED:

20 minutes

## TOOLS REQUIRED:

Screwdriver, Electric Drill, Pencil, Measuring tape/Ruler \*Tools are not included.

## SKILL REQUIRED:

Easy ●●●○○ Hard

The Assembly Skill Rating is a 5-point system that shows the degree of effort needed in assembling a specific product. With 1 being easy for the average person and 5 requiring an expert. For most products, two persons are recommended.

Please note, as this is a commercial product, some intermediate skills are required.

\*No pre-drill holes or markings are provided on tops.

### NOTE

- As this is a commercial product, some intermediate skills may be required.
  - No pre-drill holes or markings are provided on our table or desk tops.
  - Please check you have all hardware before assembling.
- If you are missing any hardware, please contact your Rapidline reseller. Please ensure you have the name of the item, required hardware part and quantity.
  - Please retain your receipt as proof of purchase to validate your warranty.
- Assemble on a clean, flat, smooth surface such as a rug or carpet to avoid parts from being scratched.
  - Remove all wrapping materials, including staples and packing straps before you start to assemble
    - Keep all hardware parts out of reach of children.

### CAUTION

- Heavy product. Do not attempt to lift or move without help
- Do not tighten screws and bolts until completely assembled.
- Do not use this product unless all bolts and screws are firmly secured and tightened.

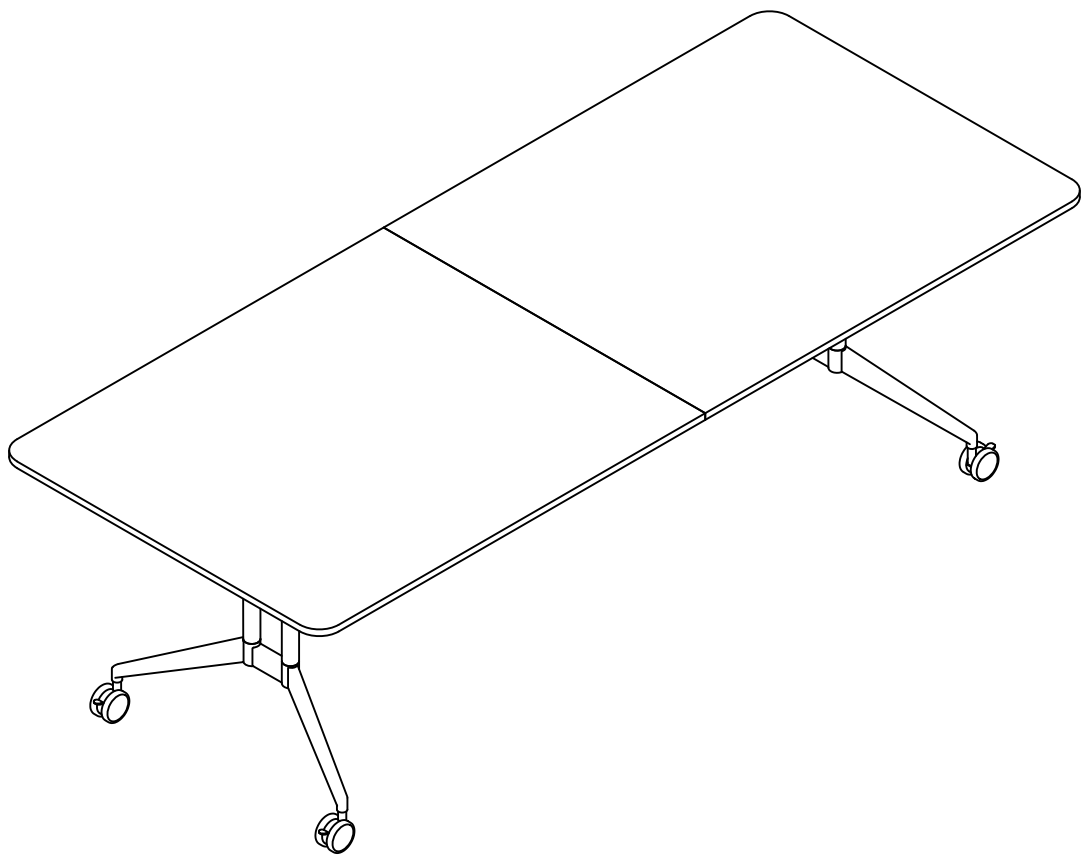
### WARNING

- If parts are missing, broken, damaged or worn stop using the product until all repairs are made.
  - Failure to follow these warnings could result in serious injury.

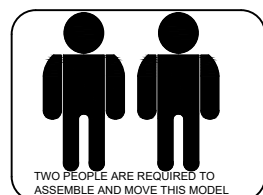
The logo for Rapidline, featuring the word "rapidline" in a lowercase, sans-serif font. The "i" in "rapid" has a small orange dot above it. The logo is set against a light blue rounded rectangular background.

# RAPID EDGE FOLDING TABLE






## Assembly Instruction



FBT2410

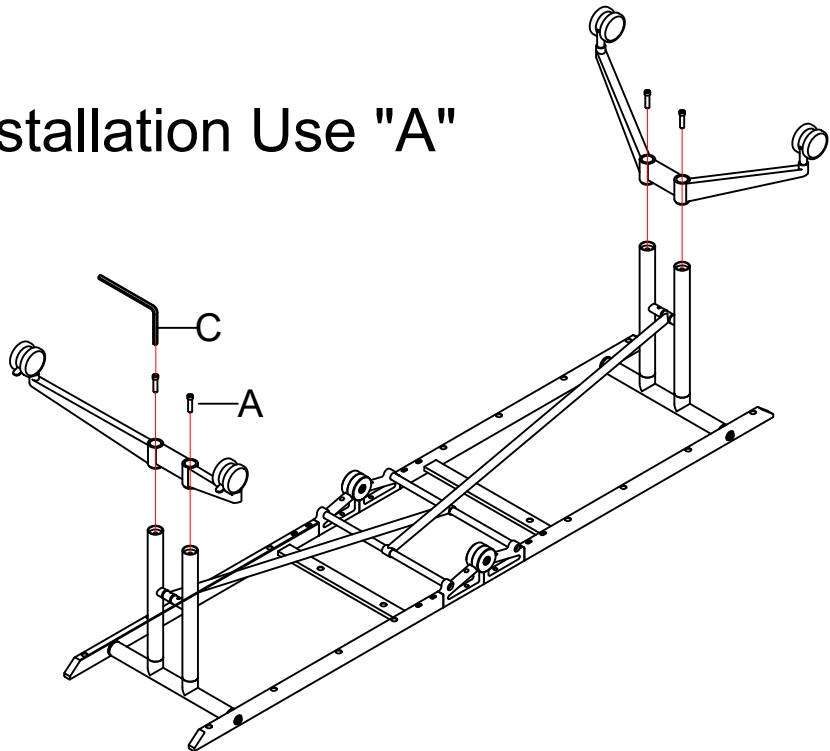


# Assembly Hardware

S/N	PICTURE	NAME	QTY	UNIT	REMARK
A		Screw φ8*40	4	PCS	
B		Screw φ4*16	20	PCS	
C		6MM	1	PCS	
D		Connector	1	PCS	
		Screw φ4*25	8		
E		Screw φ4*30	4	PCS	

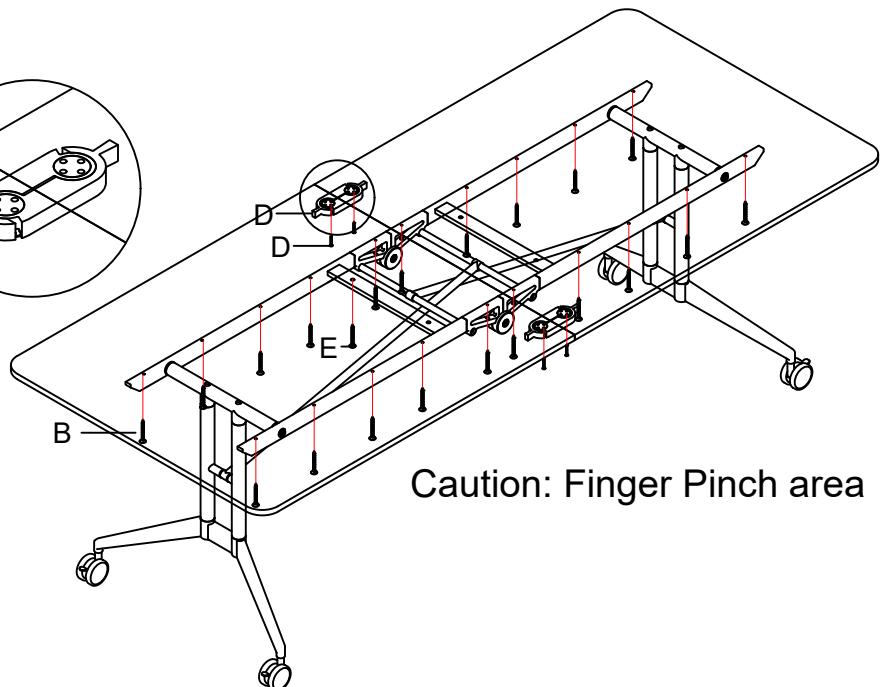
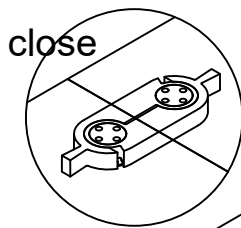
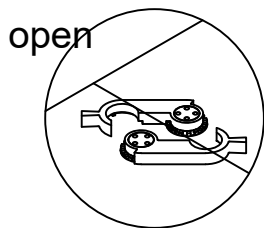
## 1. Complete leg installation Use "A"

A(4X)  
C(1X)



## 2. Complete table-board installation Use "B" and "D"

B(20X)



Caution: Finger Pinch area