

ASSEMBLY INSTRUCTIONS:

Product Code : ELEVATE ARM

Product Name: Elevate Monitor Arm

TIME REQUIRED:

10 minutes

TOOLS REQUIRED:

Screwdriver, Electric Drill, Pencil, Measuring tape/Ruler

*Tools are not included.

SKILL REQUIRED:

Easy ●●●○○ Hard

The Assembly Skill Rating is a 5-point system that shows the degree of effort needed in assembling a specific product. With 1 being easy for the average person and 5 requiring an expert. For most products, two persons are recommended.

Please note, as this is a commercial product, some intermediate skills are required.

*No pre-drill holes or markings are provided on tops.

NOTE

- As this is a commercial product, some intermediate skills may be required.
 - No pre-drill holes or markings are provided on our table or desk tops.
 - Please check you have all hardware before assembling.
- If you are missing any hardware, please contact your Rapidline reseller. Please ensure you have the name of the item, required hardware part and quantity.
 - Please retain your receipt as proof of purchase to validate your warranty.
- Assemble on a clean, flat, smooth surface such as a rug or carpet to avoid parts from being scratched.
 - Remove all wrapping materials, including staples and packing straps before you start to assemble
 - Keep all hardware parts out of reach of children.

CAUTION

- Heavy product. Do not attempt to lift or move without help
- Do not tighten screws and bolts until completely assembled.
- Do not use this product unless all bolts and screws are firmly secured and tightened.

WARNING

- If parts are missing, broken, damaged or worn stop using the product until all repairs are made.
 - Failure to follow these warnings could result in serious injury.

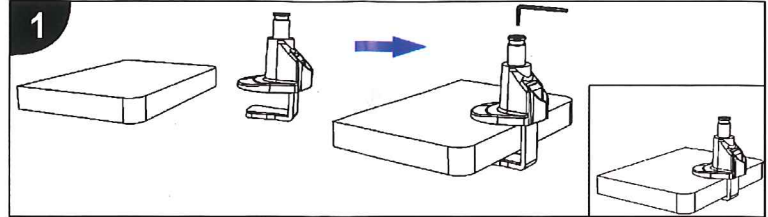
The logo for Rapidline, featuring the word "rapidline" in a lowercase, sans-serif font. The "i" in "rapid" has a small orange dot above it. The logo is set against a light blue rounded rectangular background.

Quick Installation Guide

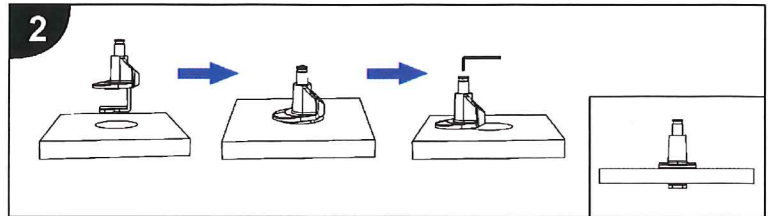
Executive Series Single Monitor Arm Installation

Base Installation - Clamp Style

Step 1 - Fit clamp over the edge of the desk in desired location and tighten using provided allen wrench as shown in Figure #1.

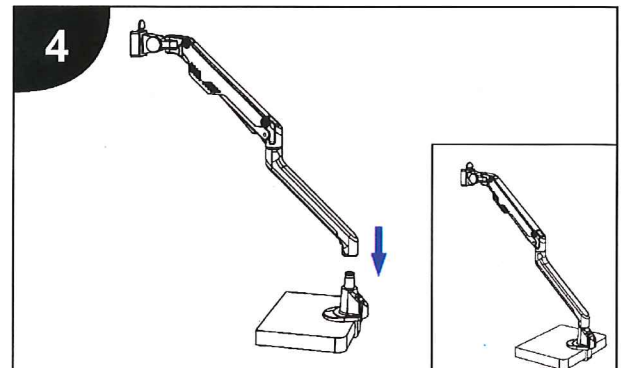


Step 2 - Clamp may also be fitted into the cable guide hole featured on some desks. Insert the bottom half of clamp into opening and tighten into place as shown in Figure #2.



Arm Installation

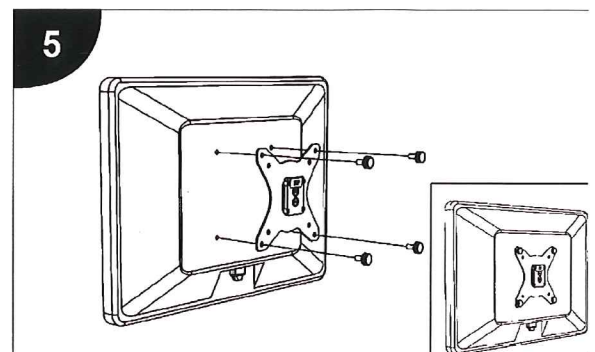
Step 1 - Install arm onto base. Note upper and lower arm sections should be secured together using provided screw as shown in Figure #4.



VESA Bracket/Monitor Installation

Step 1 - Lay monitor on a flat surface. Using the provided monitor screws (M4) secure VESA bracket to the back of monitor as shown in Figure #5.

Step 2 - Install monitor onto arm. Align VESA bracket to opening and slid into place as shown in Figure #6.



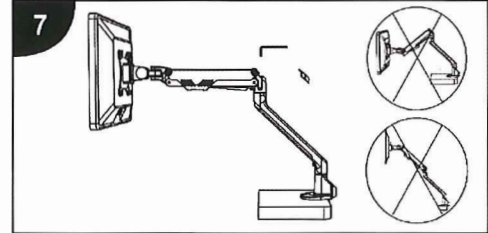
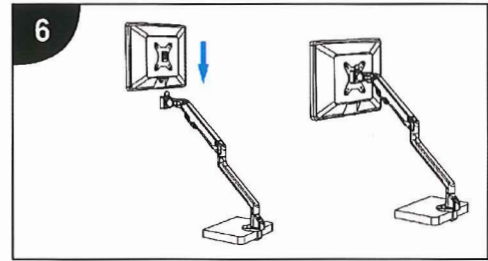
Quick Installation Guide (continue)

Executive Series Single Monitor Arm Installation

Adjust Arm Tension

Step 1 - In order to adjust the tension of the monitor arm according to the weight of the monitor the arm must be lowered to a horizontal position as shown in Figure #7.

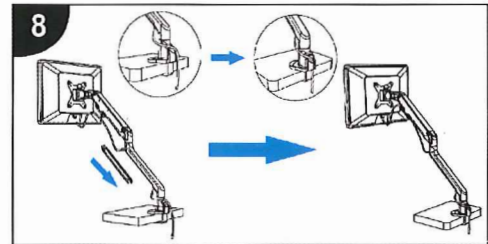
Step 2 - Using the provided allen wrench adjust the arm's tension to hold your arm in the proper position. Turn the wrench to the right (+) for heavier monitors and to the left (-) for lighter monitors.








Cable Management

Monitor cables may be threaded through the upper and lower arm sections in order to complete the installation.

Note: An allowance of extra cable should be left to accommodate arm movement.



Parts list - Executive Series Single Monitor Arm

Item	Description	Quantity	Item	Description	Quantity
	Desk Clamp	1		Monitor Screw	4
	ARM	1		Allen Wrench	4
	Vesa Bracket	1			