

## ASSEMBLY INSTRUCTIONS:

Product Code : SFT126 / SFT1575 / SFT1875 / SFT189 / 9SFT1575 / 9SFT189  
 F126 BL / F1575 BL / F1875 BL / F189 BL / 9F1575 / 9F189

Product Name: Steel Framed Table / Steel Framed Drafting Table

### TIME REQUIRED:

25 minutes

### TOOLS REQUIRED:

Screwdriver, Electric Drill, Pencil, Measuring tape/Ruler

\*Tools are not included.

### SKILL REQUIRED:

Easy  Hard

The Assembly Skill Rating is a 5-point system that shows the degree of effort needed in assembling a specific product. With 1 being easy for the average person and 5 requiring an expert. For most products, two persons are recommended.

Please note, as this is a commercial product, some intermediate skills are required.

\*No pre-drill holes or markings are provided on tops.

#### NOTE

- As this is a commercial product, some intermediate skills may be required.
  - No pre-drill holes or markings are provided on our table or desk tops.
    - Please check you have all hardware before assembling.
- If you are missing any hardware, please contact your Rapidline reseller. Please ensure you have the name of the item, required hardware part and quantity.
  - Please retain your receipt as proof of purchase to validate your warranty.
- Assemble on a clean, flat, smooth surface such as a rug or carpet to avoid parts from being scratched.
  - Remove all wrapping materials, including staples and packing straps before you start to assemble
    - Keep all hardware parts out of reach of children.

#### CAUTION


- Heavy product. Do not attempt to lift or move without help
- Do not tighten screws and bolts until completely assembled.
- Do not use this product unless all bolts and screws are firmly secured and tightened.

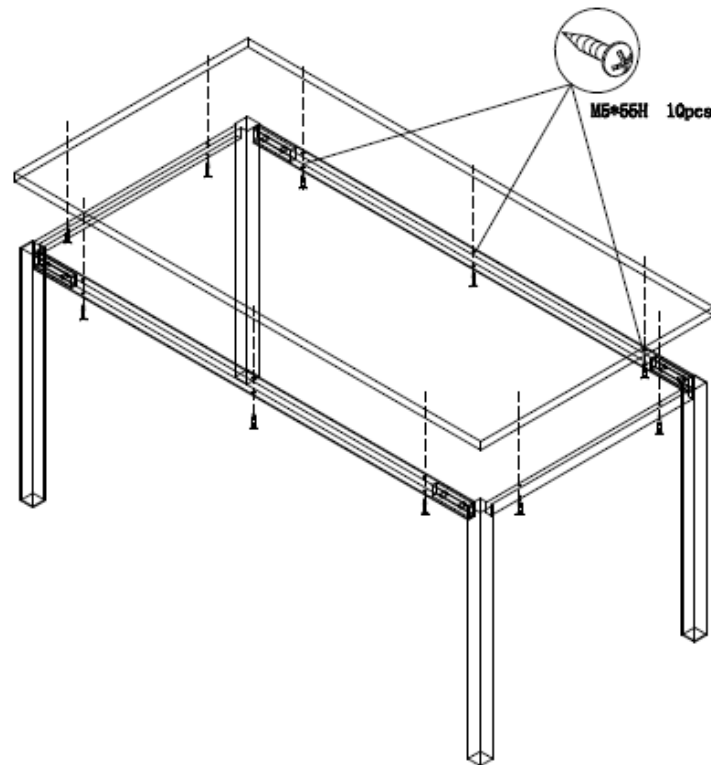
#### WARNING

- If parts are missing, broken, damaged or worn stop using the product until all repairs are made.
  - Failure to follow these warnings could result in serious injury.

## ASSEMBLY INSTRUCTIONS

SFT126 / SFT1575 / SFT1875 / SFT189 / 9SFT1575 / 9SFT189  
F126 BL / F1575 BL / F1875 BL / F189 BL / 9F1575 / 9F189

	M5*55H 10pcs	



Attach frame to the table top using the provided screws as shown