

ASSEMBLY INSTRUCTIONS:

Product Code : CL820

Product Name: CL820 Chair

rapidline

TIME REQUIRED:

20 minutes

TOOLS REQUIRED:

Screwdriver, Electric Drill, Pencil, Measuring tape/Ruler

*Tools are not included.

SKILL REQUIRED:

Easy  Hard

The Assembly Skill Rating is a 5-point system that shows the degree of effort needed in assembling a specific product. With 1 being easy for the average person and 5 requiring an expert. For most products, two persons are recommended.

NOTE

- As this is a commercial product, some intermediate skills may be required.
 - No pre-drill holes or markings are provided on our table or desk tops.
 - Please check you have all hardware before assembling.
- If you are missing any hardware, please contact your Rapidline reseller. Please ensure you have the name of the item, required hardware part and quantity.
 - Please retain your receipt as proof of purchase to validate your warranty.
- Assemble on a clean, flat, smooth surface such as a rug or carpet to avoid parts from being scratched.
 - Remove all wrapping materials, including staples and packing straps before you start to assemble
 - Keep all hardware parts out of reach of children.



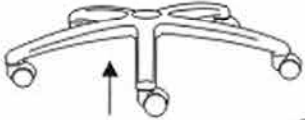








CAUTION

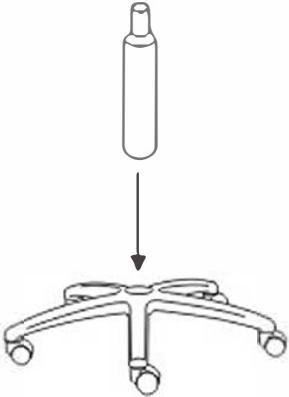

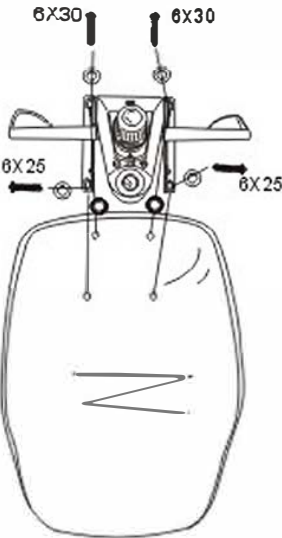
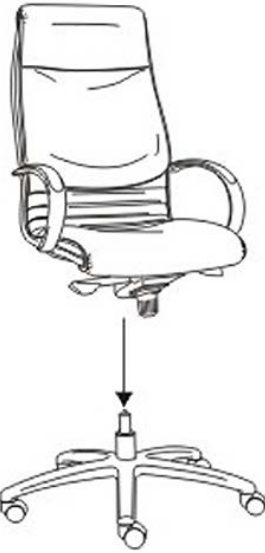
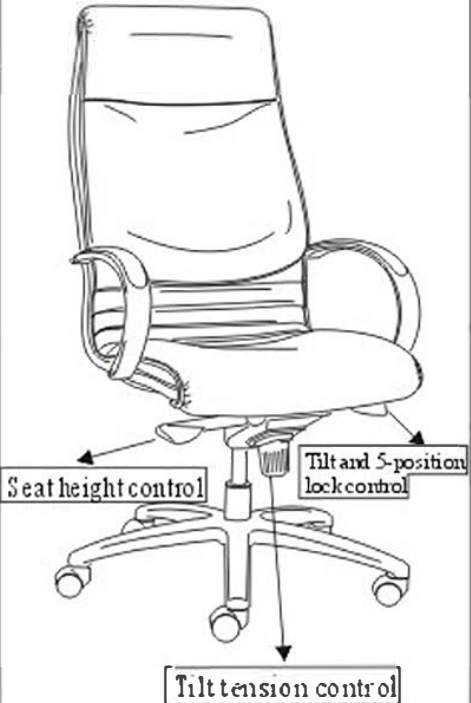
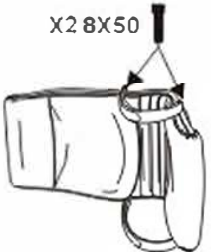
- Heavy product. Do not attempt to lift or move without help
- Do not tighten screws and bolts until completely assembled.
- Do not use this product unless all bolts and screws are firmly secured and tightened.

WARNING

- If parts are missing, broken, damaged or worn stop using the product until all repairs are made.
 - Failure to follow these warnings could result in serious injury.

CL820

(1)	(2)	(3)	(4)	(5)	(6)
	 X2	 X5			 5M  X2 6X25  X2 6X30  X4 8X50  X2  X4

A	B	C	D	
	<p style="text-align: center;">STEP 1</p>  X2 8X50	 6X30, 6X30, 6X25, 6X25		 Seat height control Tilt and 5-position lock control Tilt tension control
	<p style="text-align: center;">STEP 2</p>  X2 8X50			