

# ASSEMBLY INSTRUCTIONS:

Product Code : ACCORD HB GBL

Product Name: ACCORD HB GBL

## TIME REQUIRED:

15 minutes

## TOOLS REQUIRED:

Allen keys ( provided )

## SKILL REQUIRED:

Easy  Hard

The Assembly Skill Rating is a 5-point system that shows the degree of effort needed in assembling a specific product. With 1 being easy for the average person and 5 requiring an expert. For most products, two persons are recommended.

Please note, as this is a commercial product, some intermediate skills are required.

\*No pre-drill holes or markings are provided on tops.

### NOTE

- As this is a commercial product, some intermediate skills may be required.
  - No pre-drill holes or markings are provided on our table or desk tops.
    - Please check you have all hardware before assembling.
- If you are missing any hardware, please contact your Rapidline reseller. Please ensure you have the name of the item, required hardware part and quantity.
  - Please retain your receipt as proof of purchase to validate your warranty.
- Assemble on a clean, flat, smooth surface such as a rug or carpet to avoid parts from being scratched.
  - Remove all wrapping materials, including staples and packing straps before you start to assemble
    - Keep all hardware parts out of reach of children.

### CAUTION

- Heavy product. Do not attempt to lift or move without help
- Do not tighten screws and bolts until completely assembled.
- Do not use this product unless all bolts and screws are firmly secured and tightened.

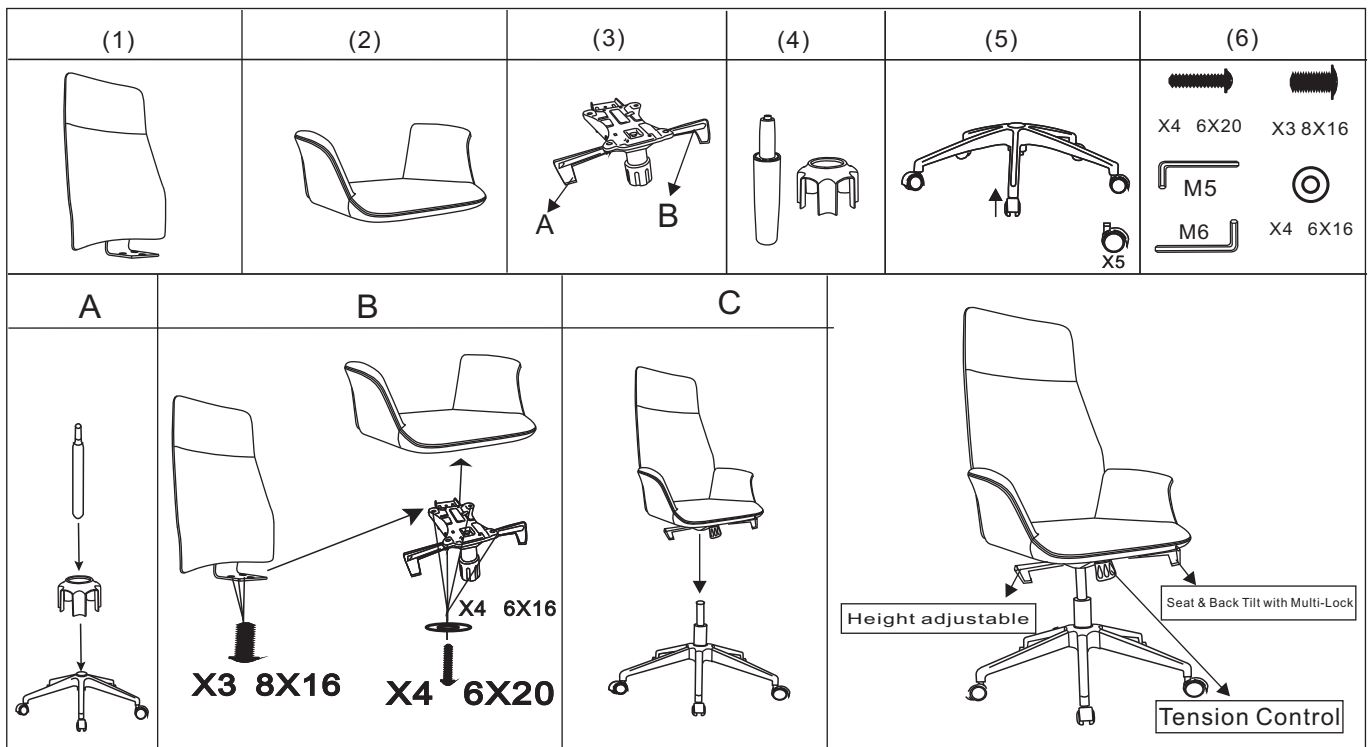
### WARNING

- If parts are missing, broken, damaged or worn stop using the product until all repairs are made.
  - Failure to follow these warnings could result in serious injury.



rapidline

# ACCORD HB GBL



## ADJUSTING MECHANISM

**Seat height adjustment:** Lift lever A

**Seat & Back tilt with multi-lock:** Lift up B to make back tilt.

Lean back and press down lever B to lock back in multi-position.

**Tension control:** Turn knob to make chair suit your weight.

## ERGONOMIC INSTRUCTION

\*For good blood circulation, adjust the seat height to make your feet rest flat on the floor.

\*Your forearms should be close to horizontal.

## MAINTENANCE

\*Protect the chair from direct sunlight.

\*Check and tighten all the bolts periodically.

## FABRIC CARE

\*Vacuum regularly and gently.

\*Wipe clean with damp cloth.

\*Use leather cleaner where leather is applicable.

\*Test on concealed before proceeding.

## WARNING

\*Do not use this chair unless all bolts/knob are tightened and this chair is assembled firmly and properly.

\*This chair is for one person to sit on. Do not stand on the chair.

\*Do not touch mechanism except lever handle/knob when people is sitting in.

\*Only trained personel replace or repair cylinder.

\*Failure to follow these warnings could result in serious injury.