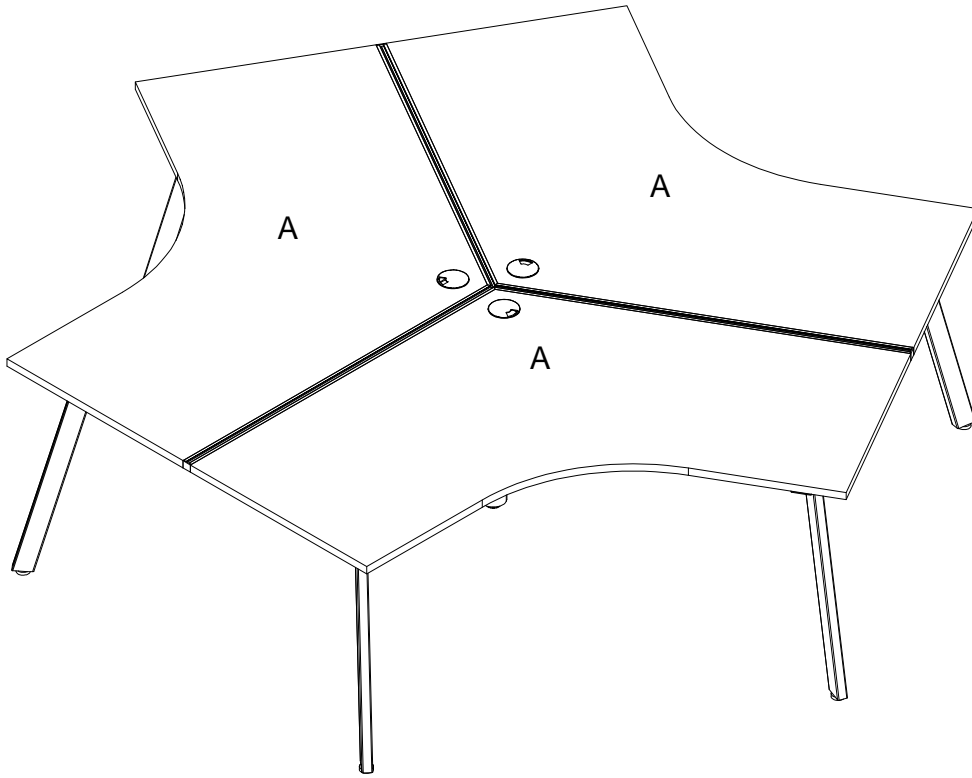


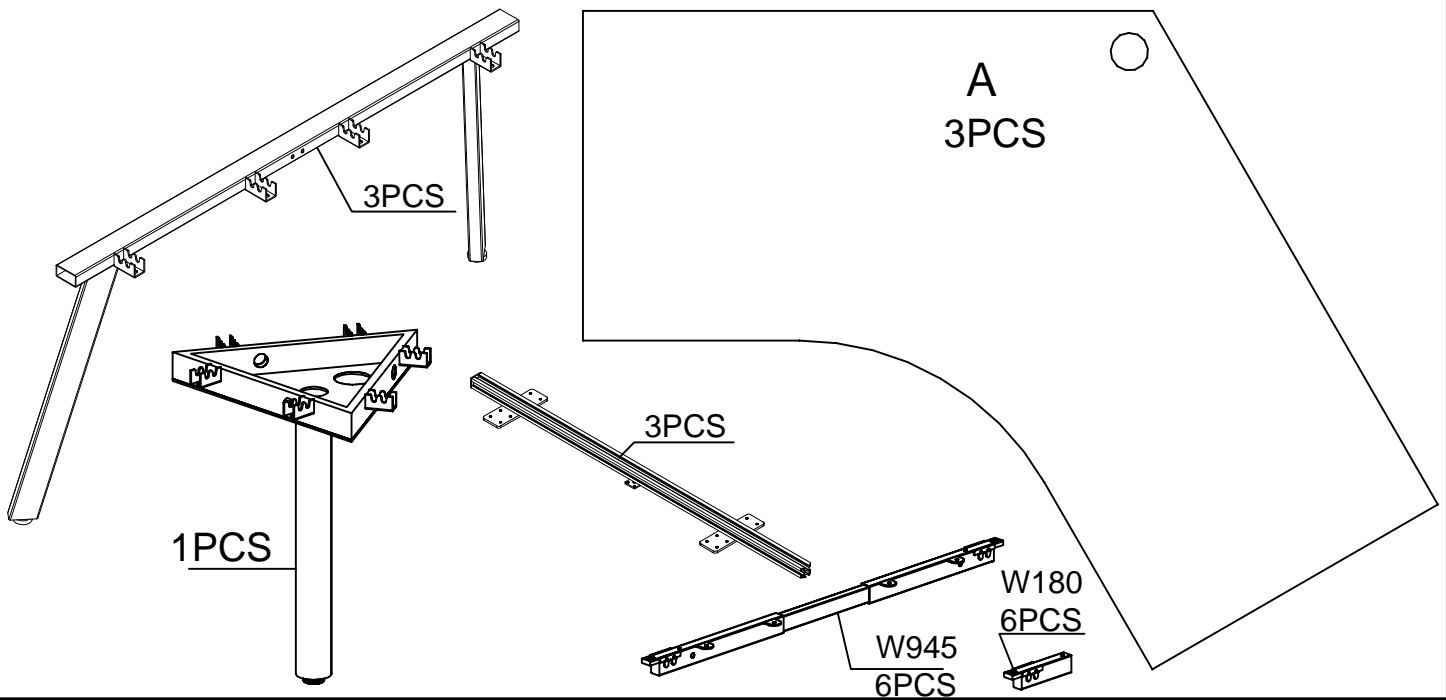
# Assembly Instructions

MODEL NO: 120 degree 3 person pod with Eternity leg



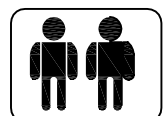
Screw 8×16 1 66PCS	M5 5 1PCS
Screw 5×20 3 102PCS	M4 6 1PCS

## STEP1



### IMPORTANT NOTE:

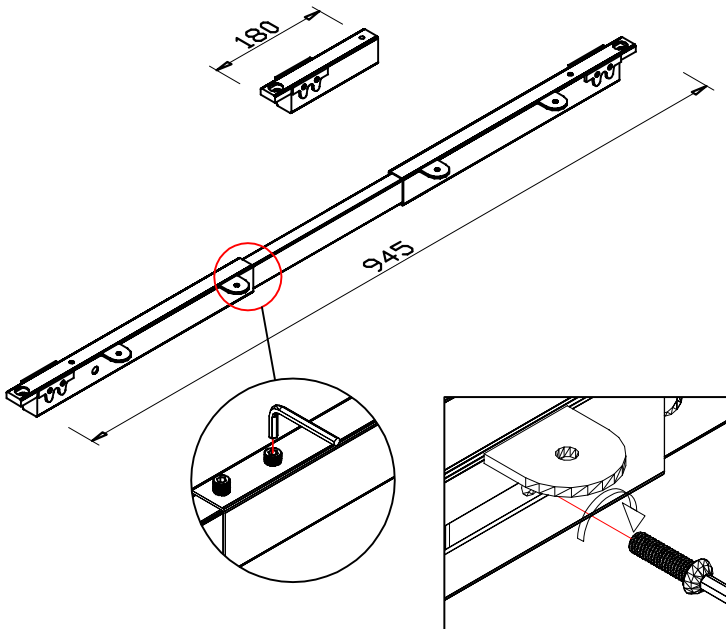
- Place all laminated parts on a clean and smooth surface such as a rug or carpet to avoid the parts from being scratched.
- Check to be sure that you have all parts and hardware.
- Remove all wrapping materials, including staples & packing straps before you start to assemble.
- Don't tighten all screws/bolts until all completely assembled.
- Keep all hardware parts out of reach of children



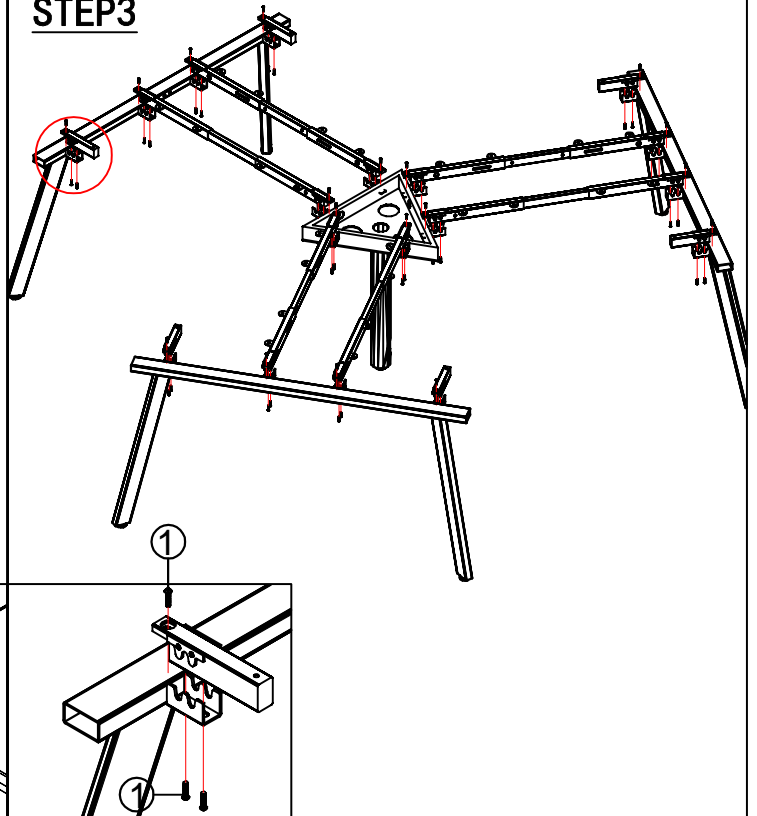
# Assembly Instructions

MODEL NO:120 degree 3 person pod with Eternity leg

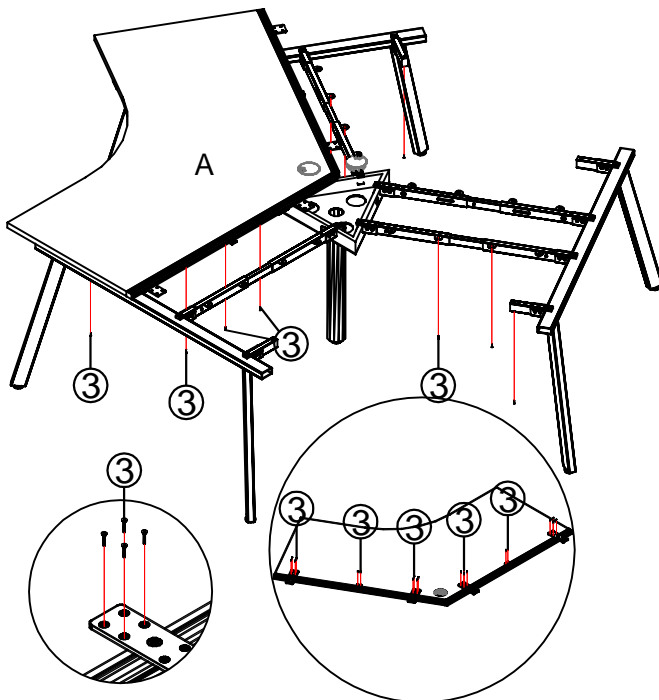
## STEP2



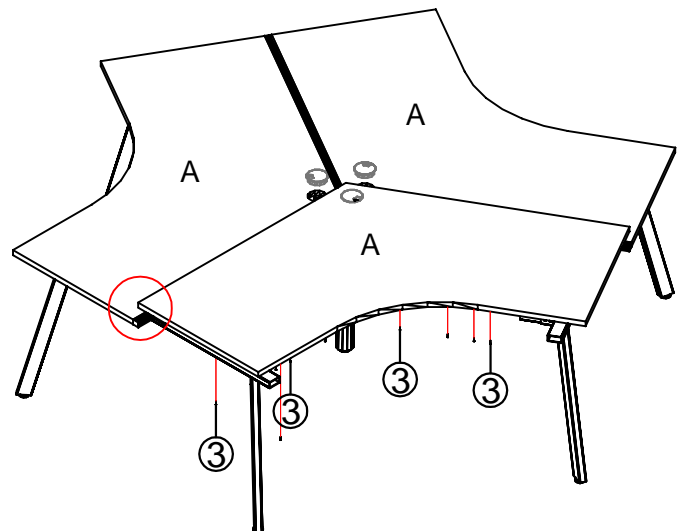
## STEP3



## STEP4

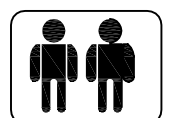


## STEP5



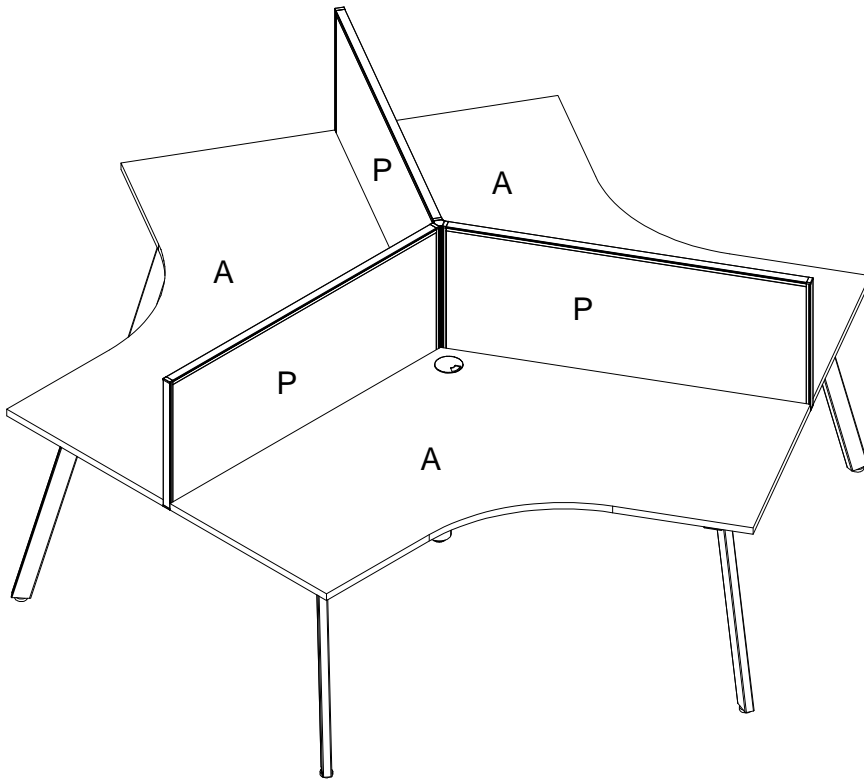
### IMPORTANT NOTE:

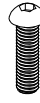
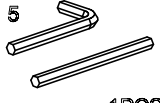

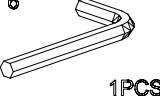

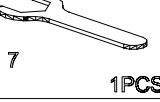
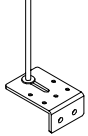
- Place all laminated parts on a clean and smooth surface such as a rug or carpet to avoid the parts from being scratched.
- Check to be sure that you have all parts and hardware.
- Remove all wrapping materials, including staples & packing straps before you start to assemble.
- Don't tighten all screws/bolts until all completely assembled.
- Keep all hardware parts out of reach of children



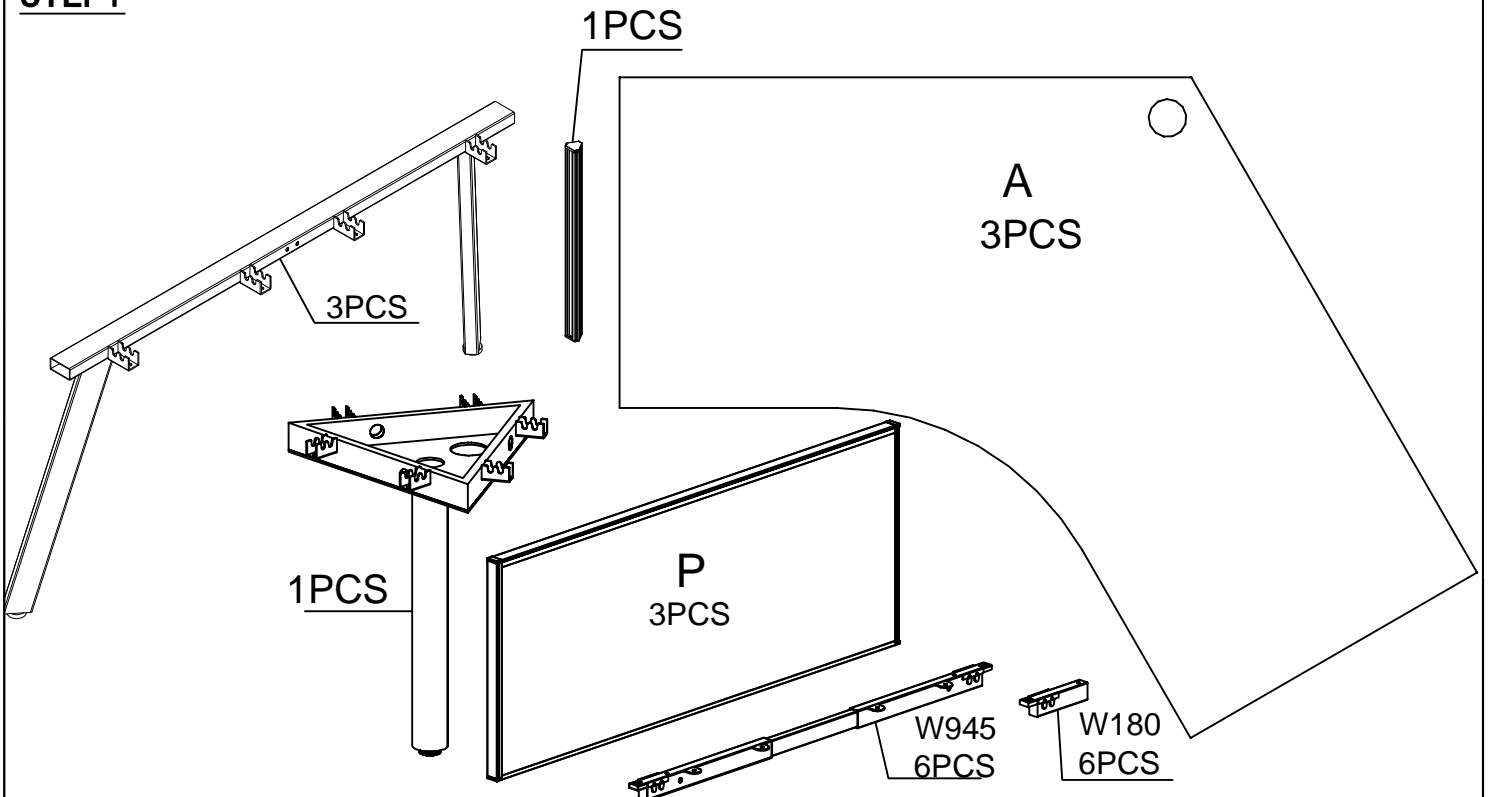
# Assembly Instructions

MODEL NO: 120 degree 3 person pod with Eternity leg with screen



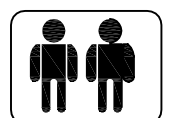
<p>Screw 8×16</p>  <p>1</p> <p>66PCS</p>	<p>M5</p>  <p>5</p> <p>1PCS</p>
<p>Screw 6×16</p>  <p>2</p> <p>12PCS</p>	<p>M4</p>  <p>6</p> <p>1PCS</p>
<p>Screw 5×20</p>  <p>3</p> <p>72+4PCS</p>	<p>M8</p>  <p>7</p> <p>1PCS</p>
<p>L</p>  <p>4</p> <p>6PCS</p>	

## STEP1



### IMPORTANT NOTE:

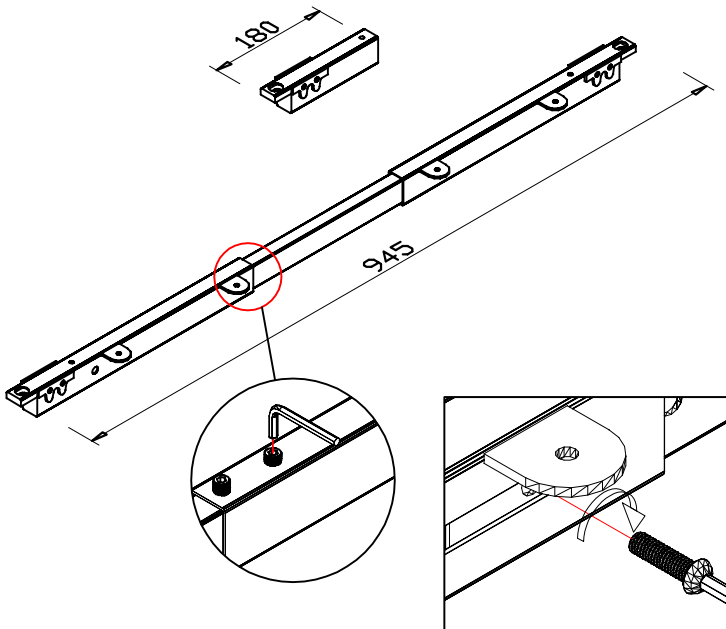
- Place all laminated parts on a clean and smooth surface such as a rug or carpet to avoid the parts from being scratched.
- Check to be sure that you have all parts and hardware.
- Remove all wrapping materials, including staples & packing straps before you start to assemble.
- Don't tighten all screws/bolts until all completely assembled.
- Keep all hardware parts out of reach of children



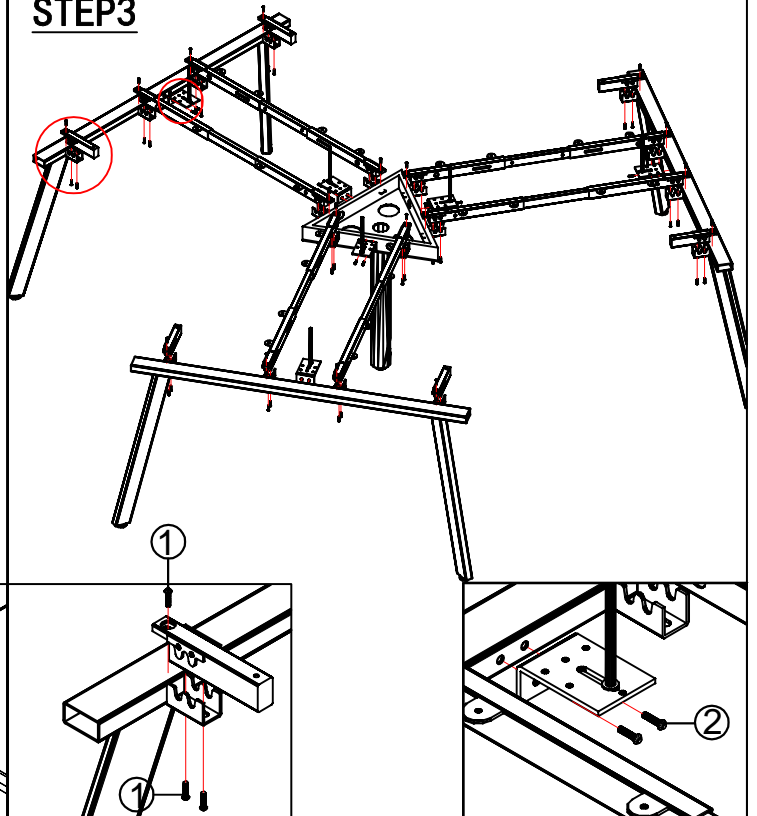
# Assembly Instructions

MODEL NO: 120 degree 3 person pod with Eternity leg with screen

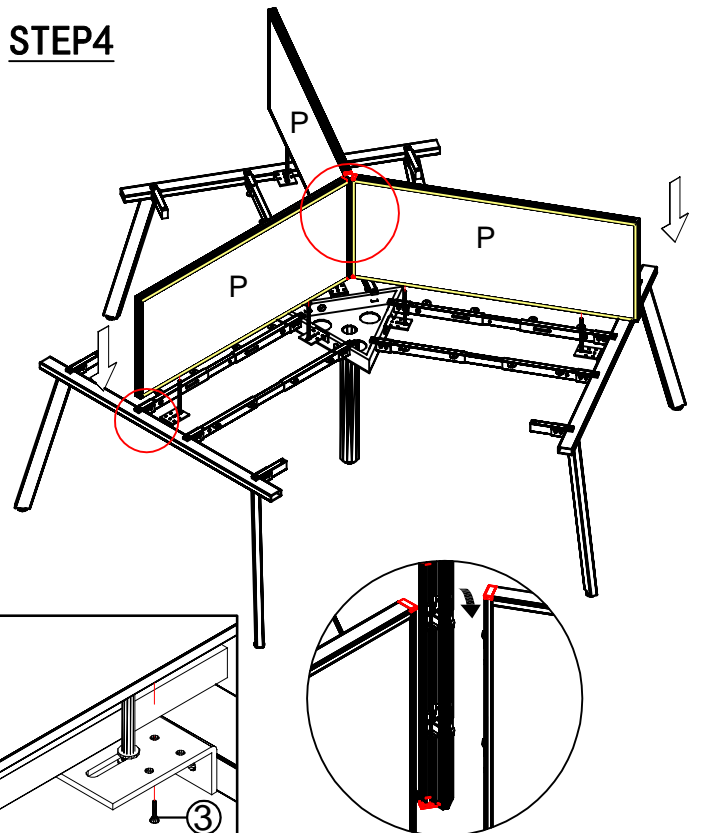
## STEP 2



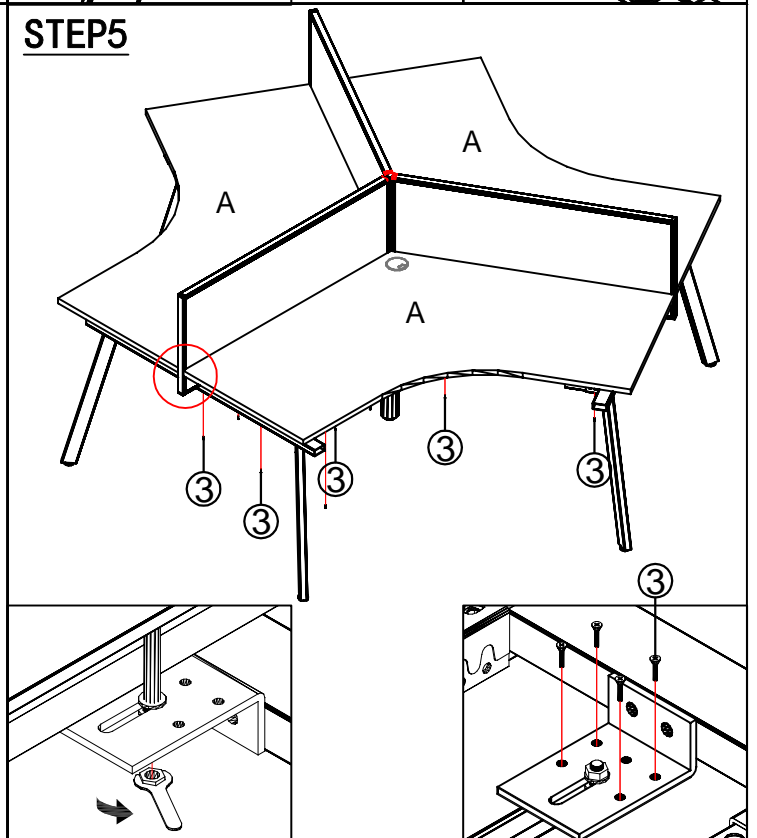
## STEP 3



## STEP 4

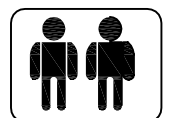


## STEP 5



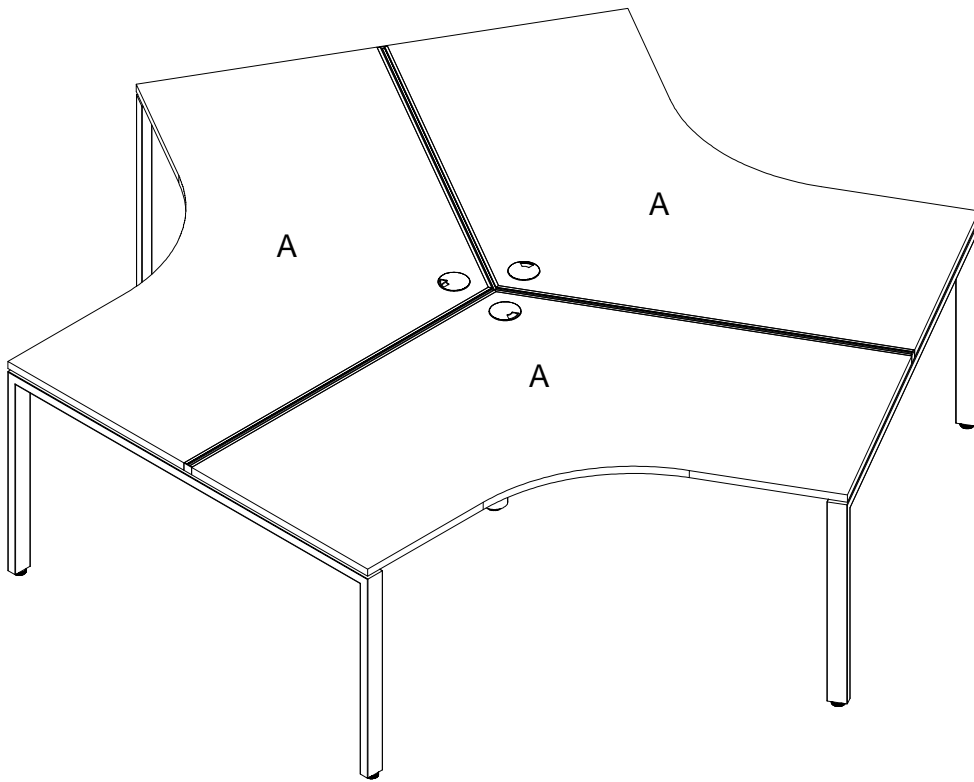
### IMPORTANT NOTE:


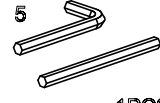

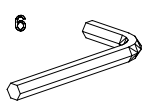
- Place all laminated parts on a clean and smooth surface such as a rug or carpet to avoid the parts from being scratched.
- Check to be sure that you have all parts and hardware.
- Remove all wrapping materials, including staples & packing straps before you start to assemble.
- Don't tighten all screws/bolts until all completely assembled.
- Keep all hardware parts out of reach of children



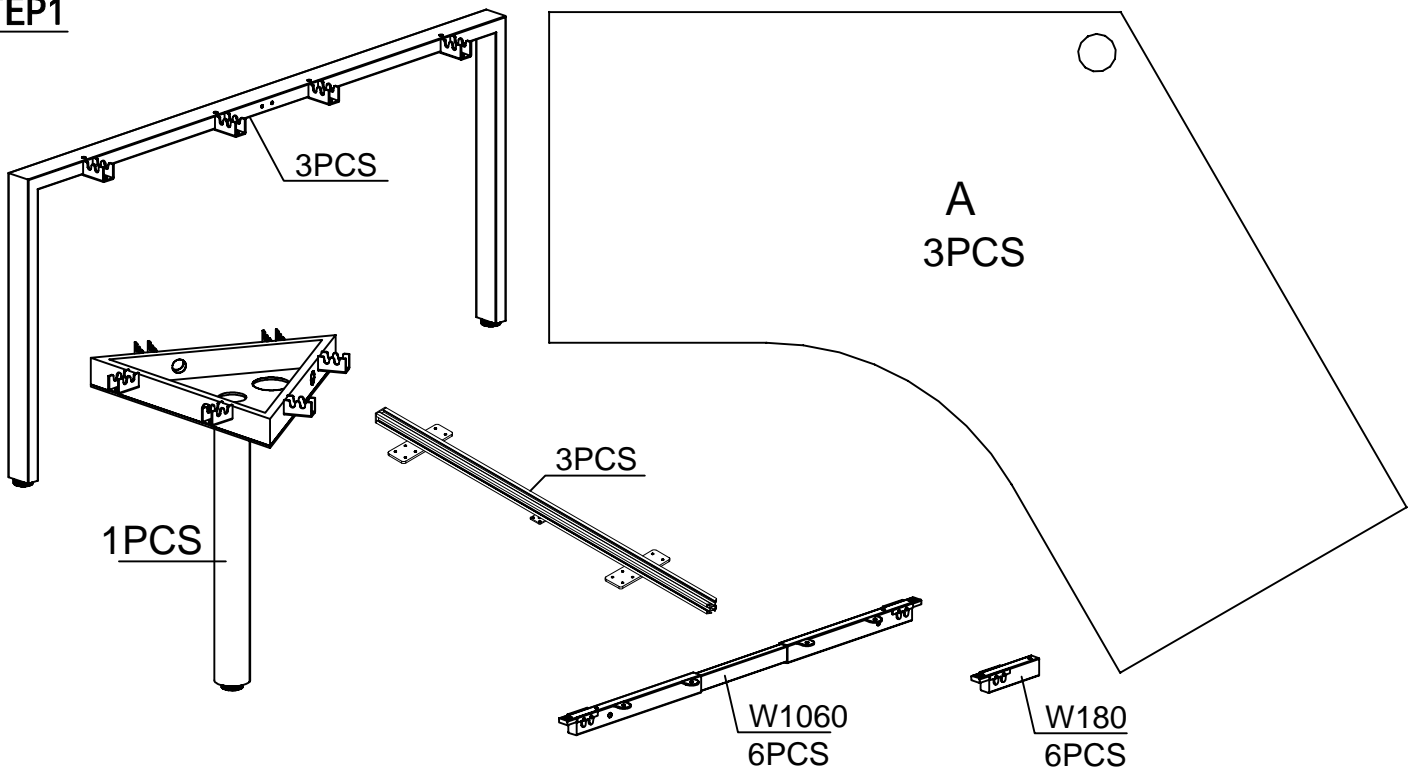
# Assembly Instructions

MODEL NO: 120 degree 3 person pod with Profile leg



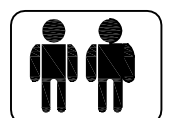
Screw	8×16	M5
	1	
	66PCS	1PCS
Screw	5×20	M4
	3	
	102PCS	1PCS

## STEP1



### IMPORTANT NOTE:

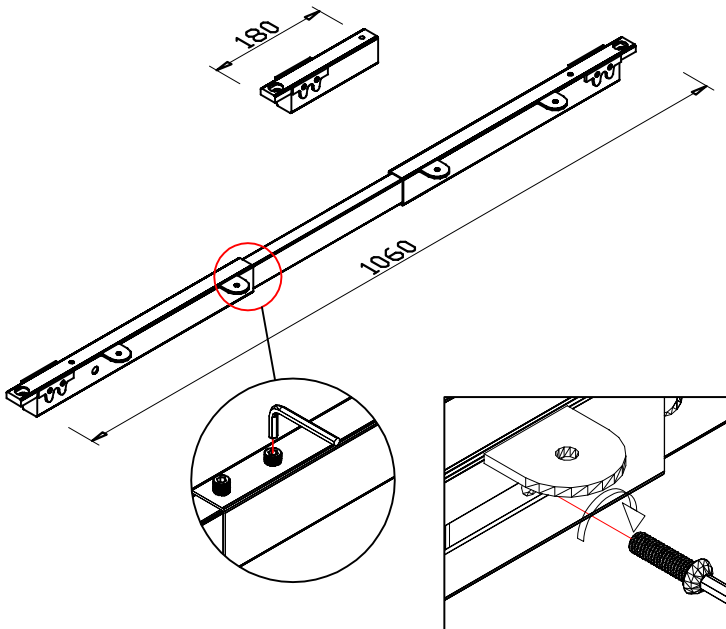
- Place all laminated parts on a clean and smooth surface such as a rug or carpet to avoid the parts from being scratched.
- Check to be sure that you have all parts and hardware.
- Remove all wrapping materials, including staples & packing straps before you start to assemble.
- Don't tighten all screws/bolts until all completely assembled.
- Keep all hardware parts out of reach of children



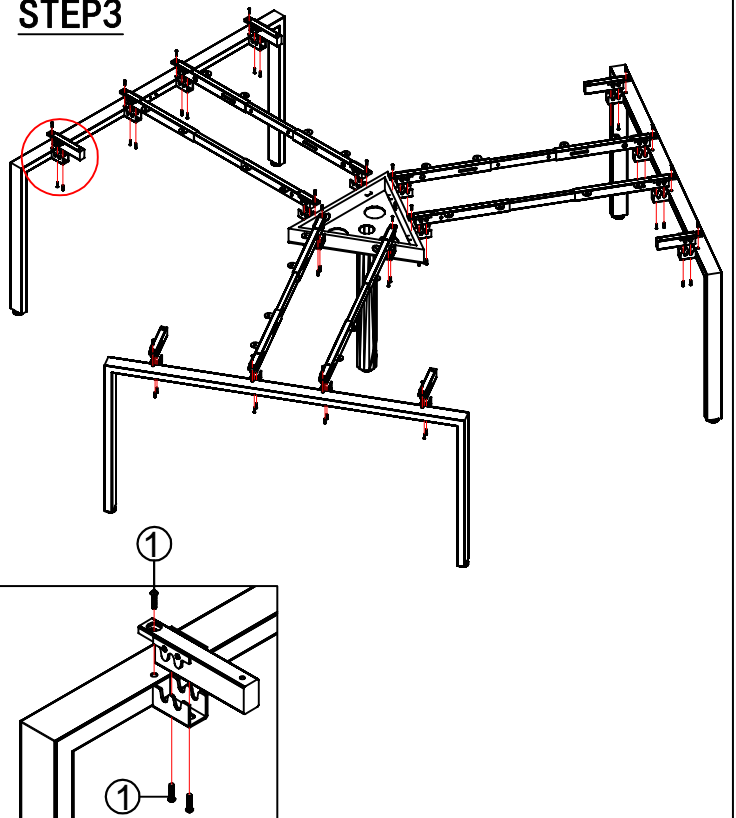
# Assembly Instructions

MODEL NO:120 degree 3 person pod with Profile leg

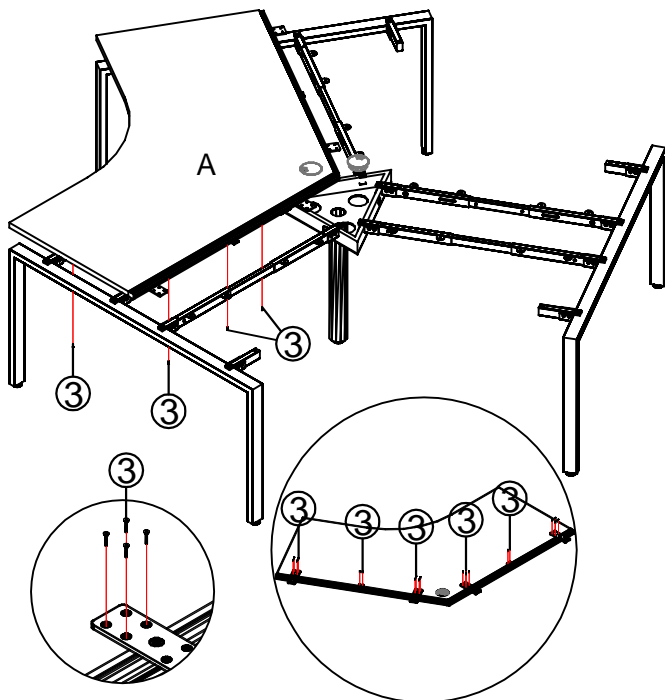
## STEP2



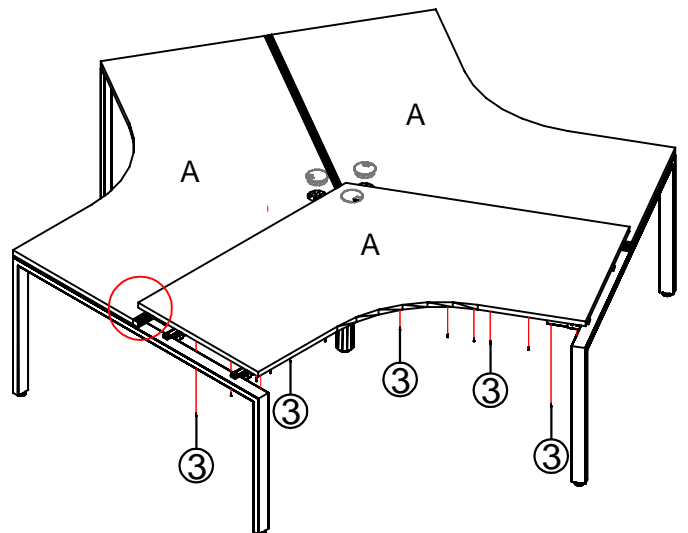
## STEP3



## STEP4

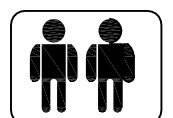


## STEP5



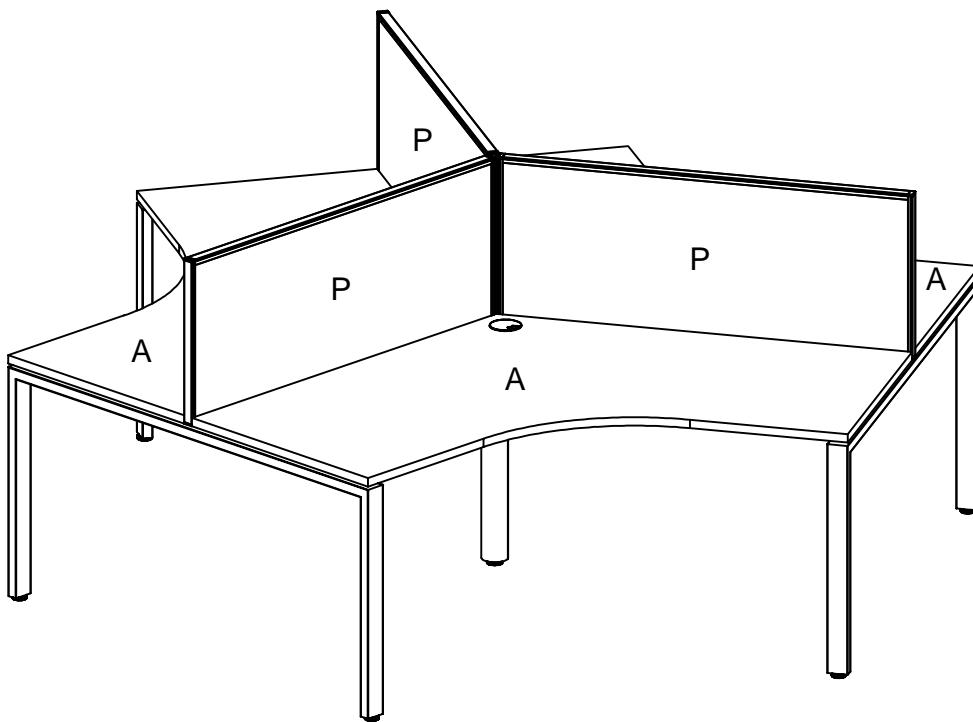
### IMPORTANT NOTE:


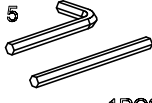

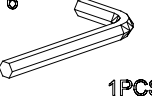

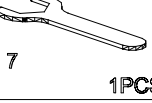
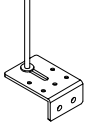
- Place all laminated parts on a clean and smooth surface such as a rug or carpet to avoid the parts from being scratched.
- Check to be sure that you have all parts and hardware.
- Remove all wrapping materials, including staples & packing straps before you start to assemble.
- Don't tighten all screws/bolts until all completely assembled.
- Keep all hardware parts out of reach of children



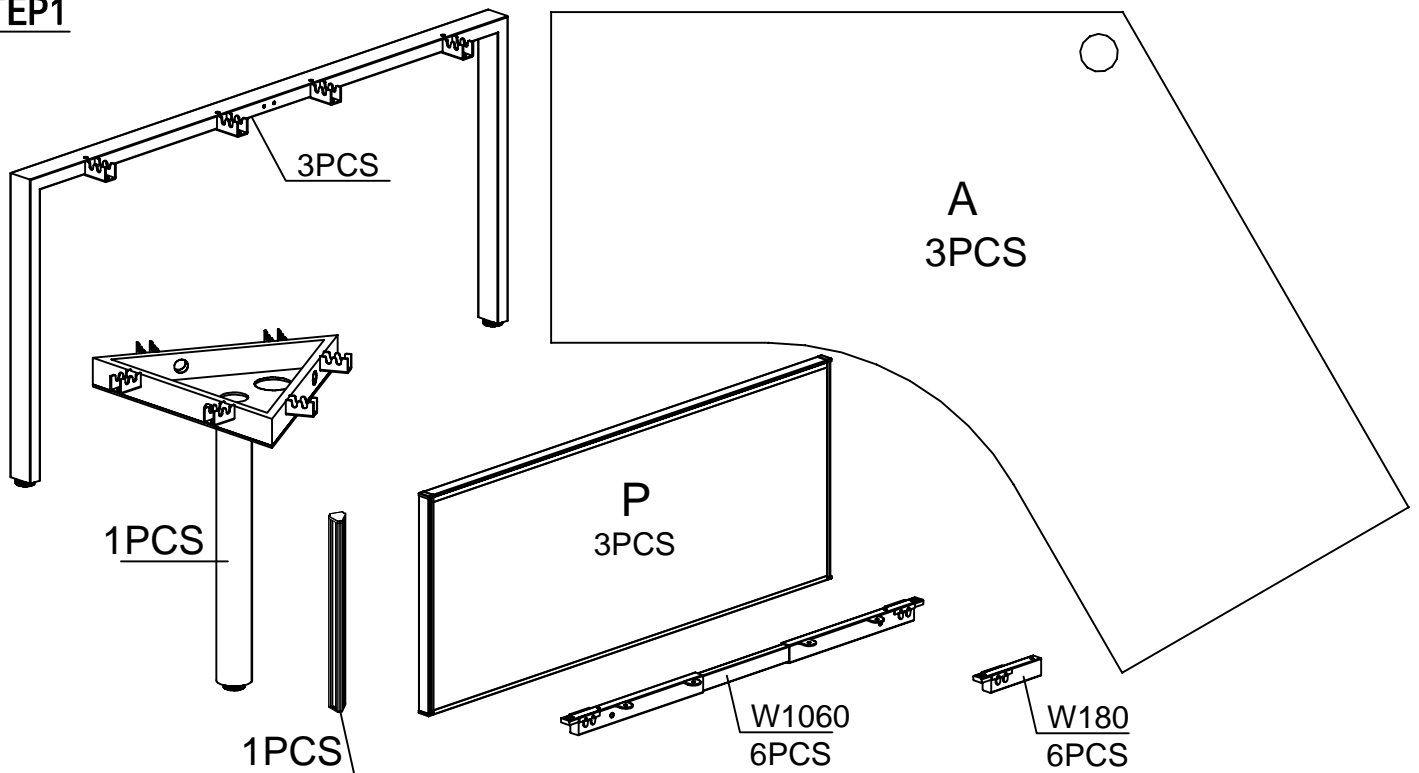
# Assembly Instructions

MODEL NO: 120 degree 3 person pod with Profile leg with screen



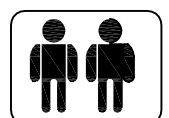
<p>Screw 8×16</p>  <p>1</p> <p>66PCS</p>	<p>M5</p>  <p>5</p> <p>1PCS</p>
<p>Screw 6×16</p>  <p>2</p> <p>12PCS</p>	<p>M4</p>  <p>6</p> <p>1PCS</p>
<p>Screw 5×20</p>  <p>3</p> <p>72+4PCS</p>	<p>M8</p>  <p>7</p> <p>1PCS</p>
<p>L</p>  <p>4</p> <p>6PCS</p>	

## STEP1



### IMPORTANT NOTE:

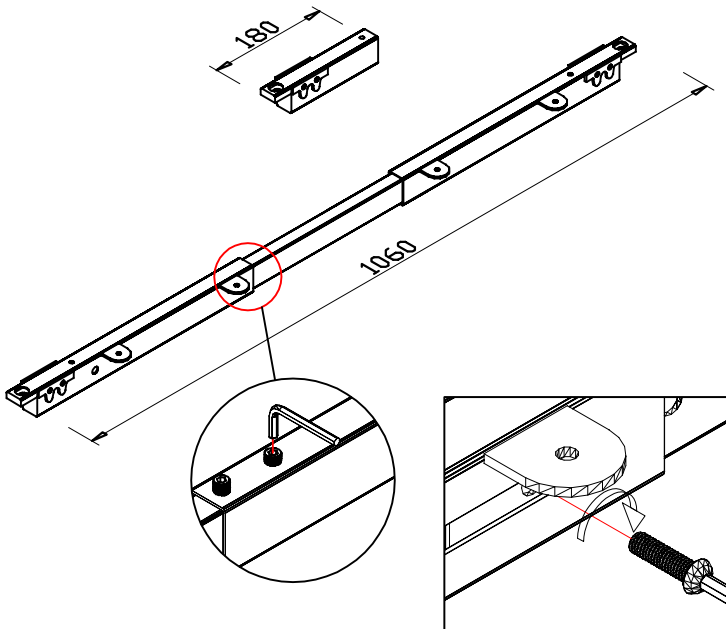
- Place all laminated parts on a clean and smooth surface such as a rug or carpet to avoid the parts from being scratched.
- Check to be sure that you have all parts and hardware.
- Remove all wrapping materials, including staples & packing straps before you start to assemble.
- Don't tighten all screws/bolts until all completely assembled.
- Keep all hardware parts out of reach of children



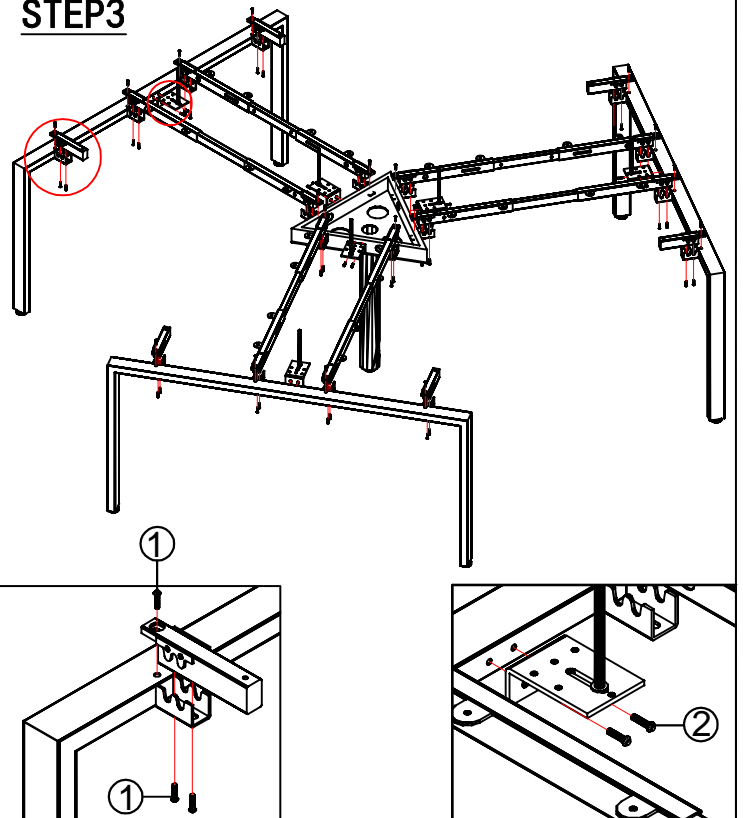
# Assembly Instructions

MODEL NO:120 degree 3 person pod with Profile leg with screen

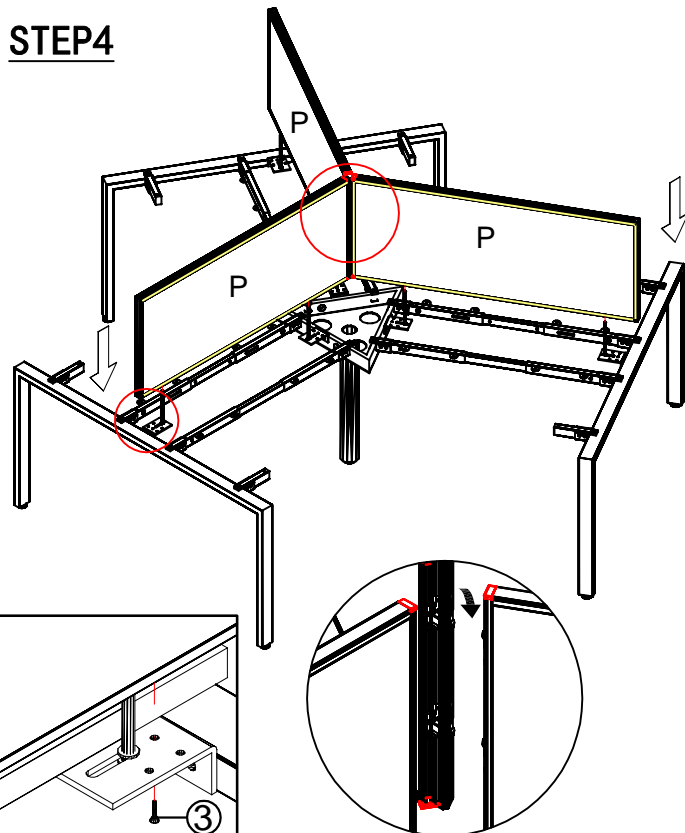
## STEP2



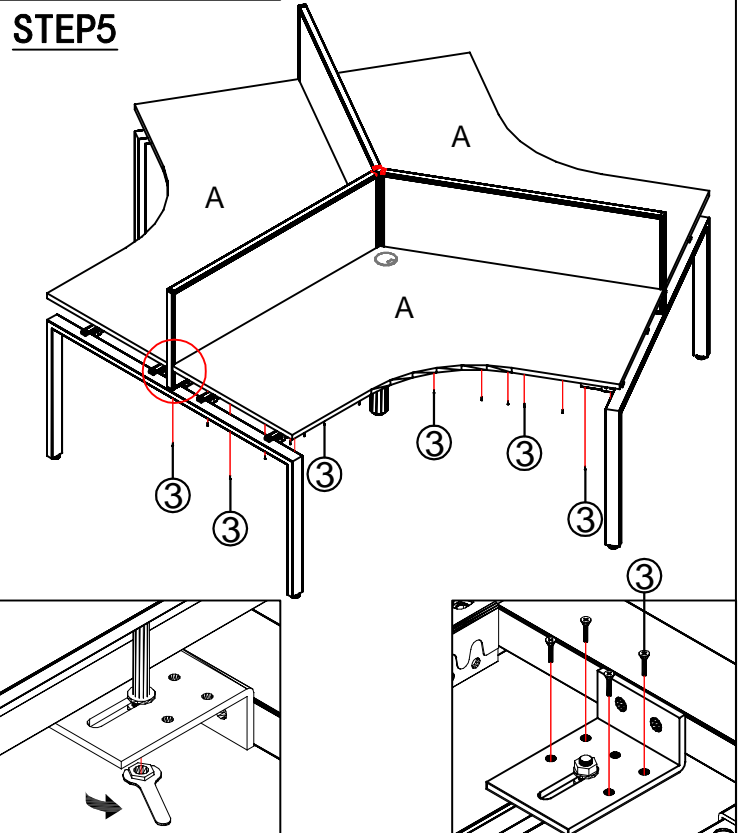
## STEP3



## STEP4

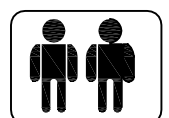


## STEP5



### IMPORTANT NOTE:

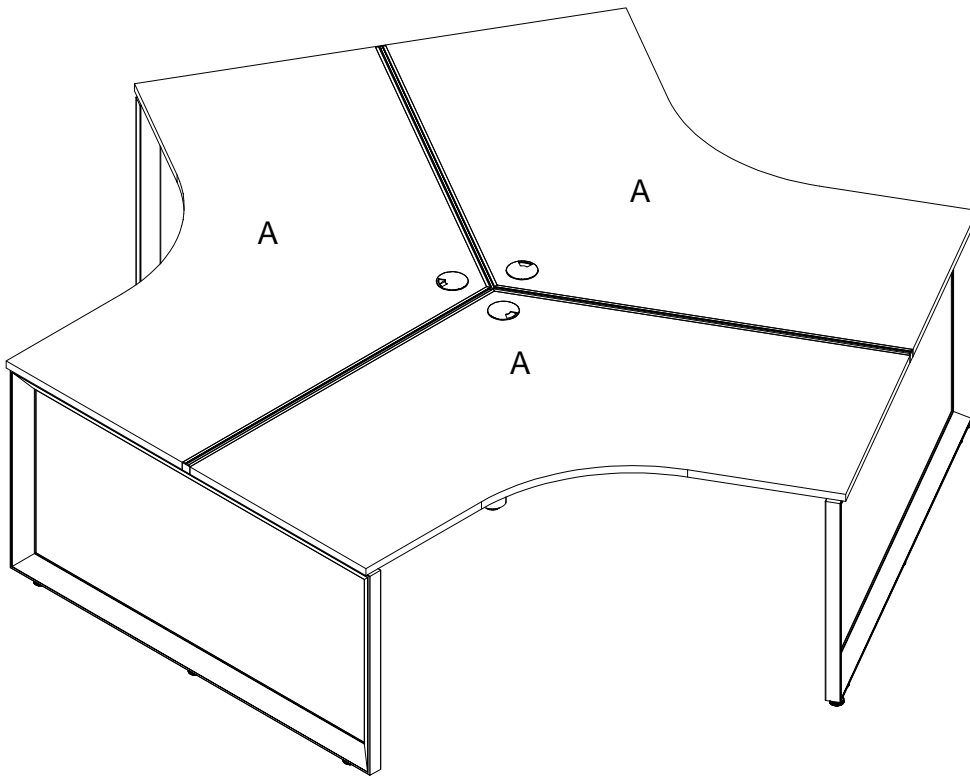
- Place all laminated parts on a clean and smooth surface such as a rug or carpet to avoid the parts from being scratched.
- Check to be sure that you have all parts and hardware.
- Remove all wrapping materials, including staples & packing straps before you start to assemble.
- Don't tighten all screws/bolts until all completely assembled.
- Keep all hardware parts out of reach of children





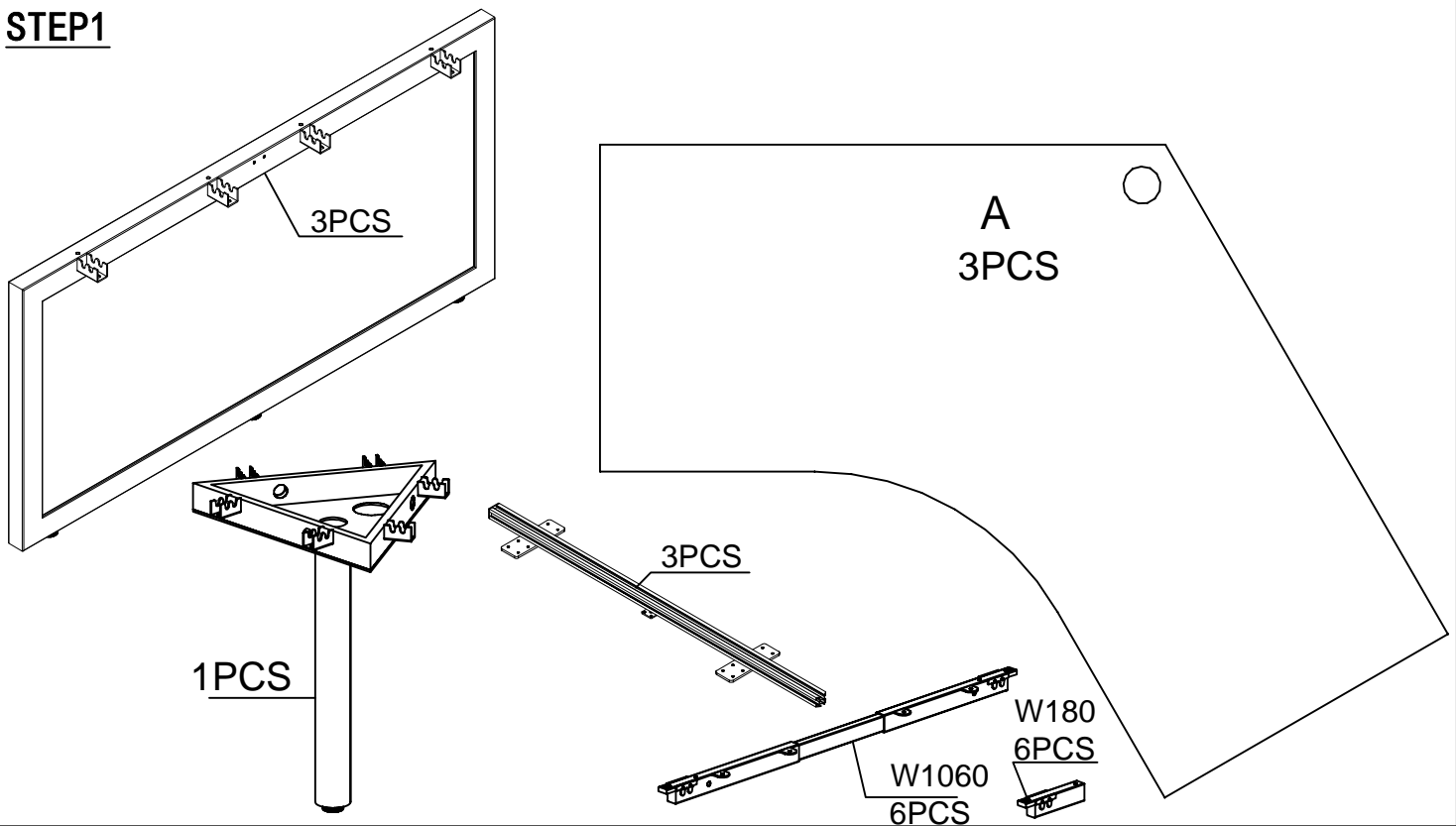
# Assembly Instructions

MODEL NO: 120 degree 3 person pod with Loop leg



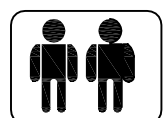
Screw	8×16	M5
	1	5
	66PCS	1PCS
Screw	5×20	M4
	3	6
	102PCS	1PCS

## STEP1



### IMPORTANT NOTE:

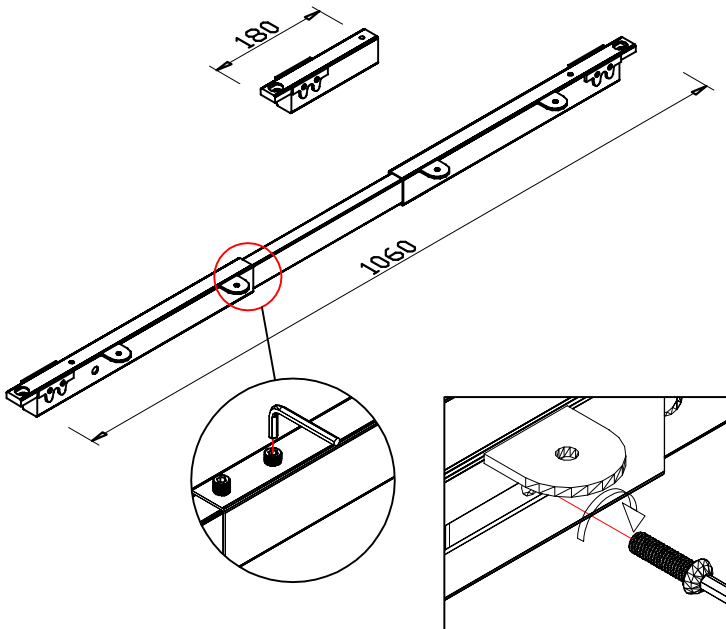
- Place all laminated parts on a clean and smooth surface such as a rug or carpet to avoid the parts from being scratched.
- Check to be sure that you have all parts and hardware.
- Remove all wrapping materials, including staples & packing straps before you start to assemble.
- Don't tighten all screws/bolts until all completely assembled.
- Keep all hardware parts out of reach of children



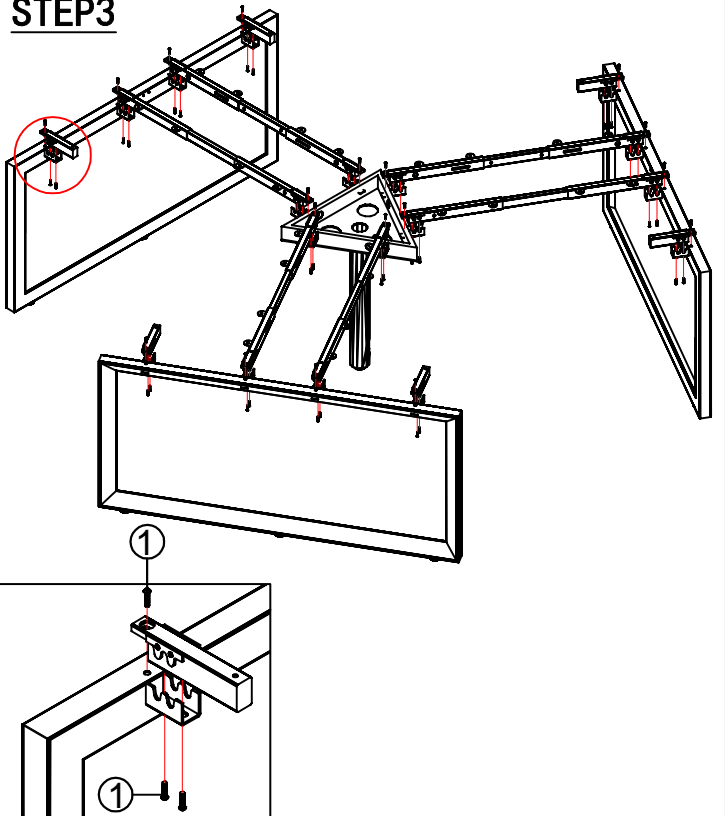
# Assembly Instructions

MODEL NO:120 degree 3 person pod with Loop leg

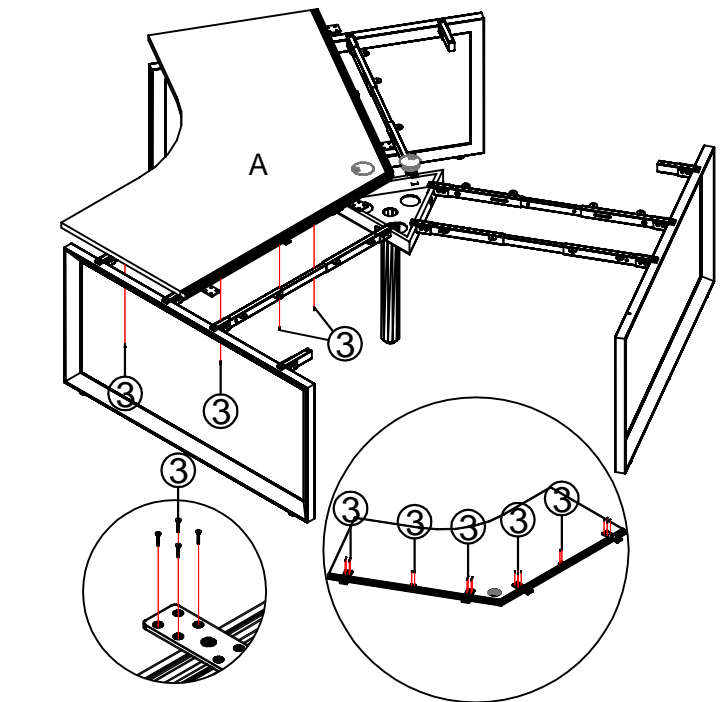
## STEP2



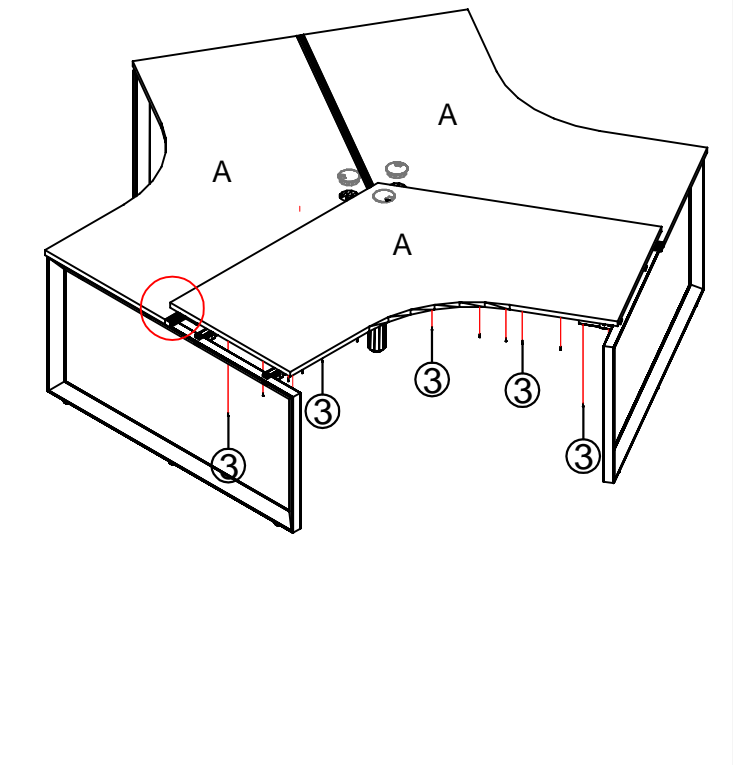
## STEP3



## STEP4

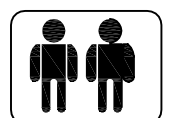


## STEP5



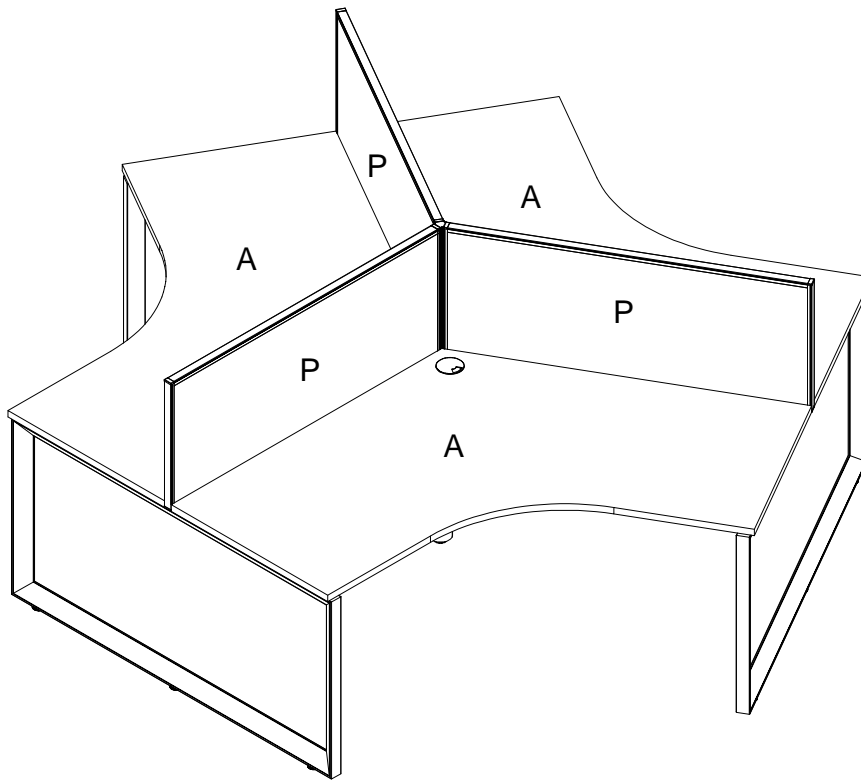
### IMPORTANT NOTE:

- Place all laminated parts on a clean and smooth surface such as a rug or carpet to avoid the parts from being scratched.
- Check to be sure that you have all parts and hardware.
- Remove all wrapping materials, including staples & packing straps before you start to assemble.
- Don't tighten all screws/bolts until all completely assembled.
- Keep all hardware parts out of reach of children



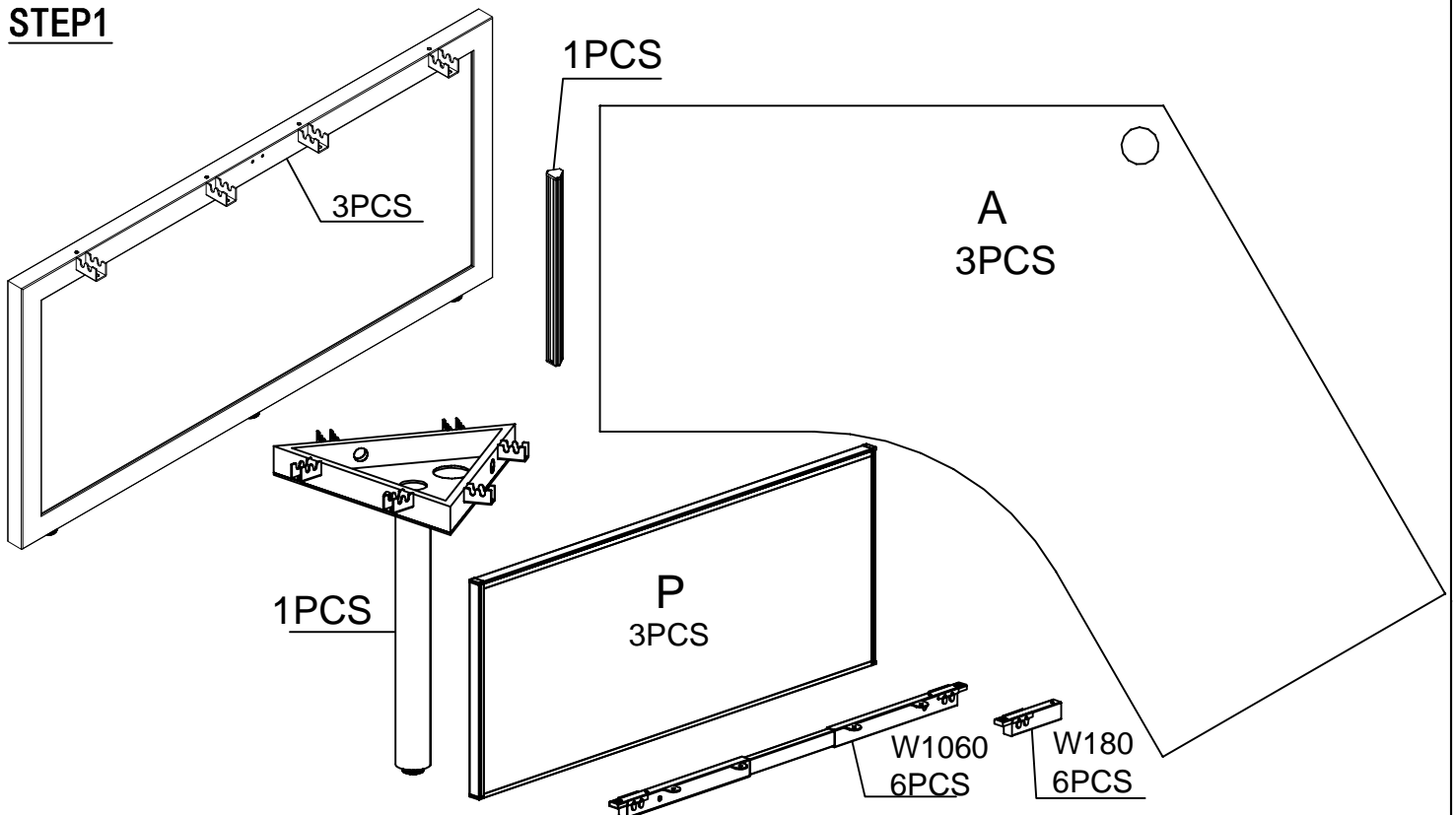
# Assembly Instructions

MODEL NO: 120 degree 3 person pod with Loop leg with screen



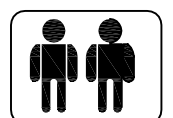
Screw 8×16 1 66PCS	M5 5 1PCS
Screw 6×16 2 12PCS	M4 6 1PCS
Screw 5×20 3 72+4PCS	M8 7 1PCS
L 4 6PCS	

## STEP1



### IMPORTANT NOTE:

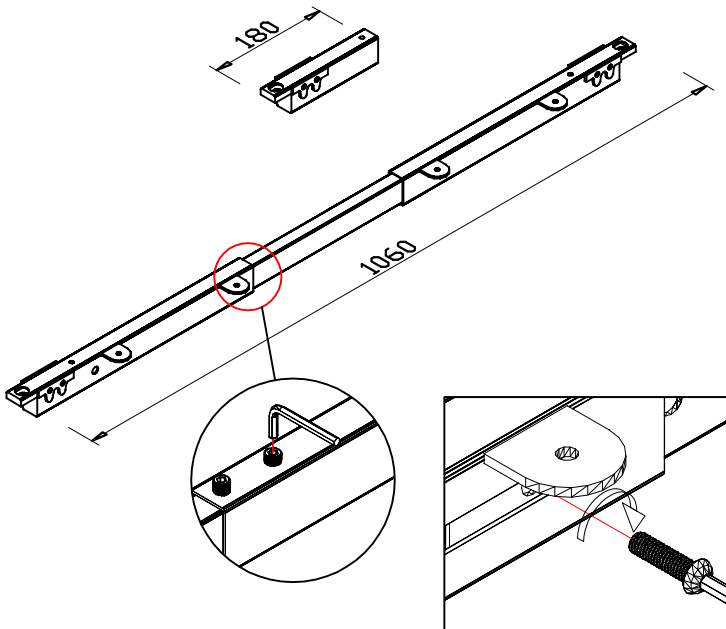
- Place all laminated parts on a clean and smooth surface such as a rug or carpet to avoid the parts from being scratched.
- Check to be sure that you have all parts and hardware.
- Remove all wrapping materials, including staples & packing straps before you start to assemble.
- Don't tighten all screws/bolts until all completely assembled.
- Keep all hardware parts out of reach of children



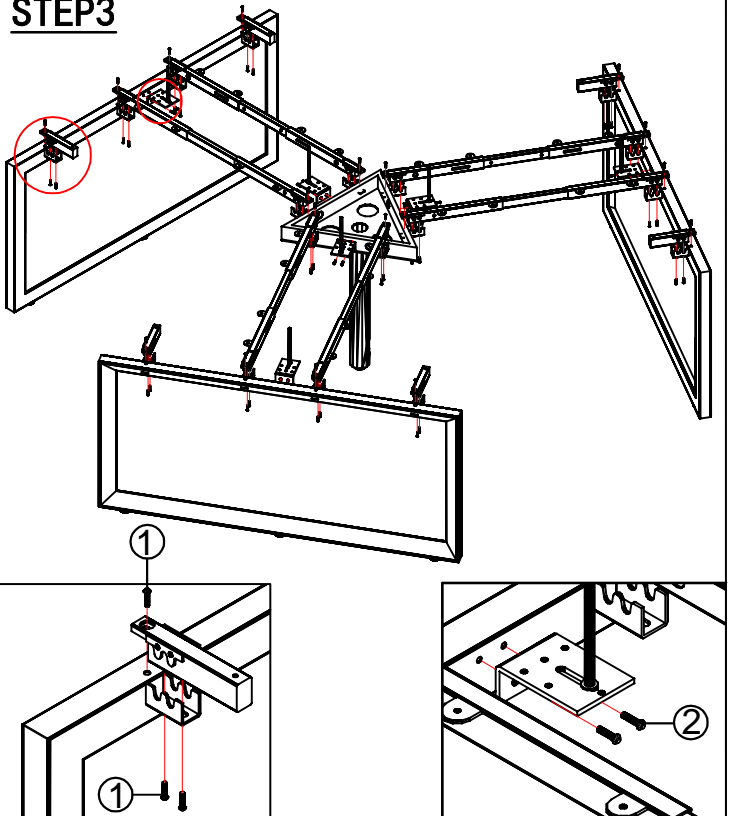
# Assembly Instructions

MODEL NO:120 degree 3 person pod with Loop leg with screen

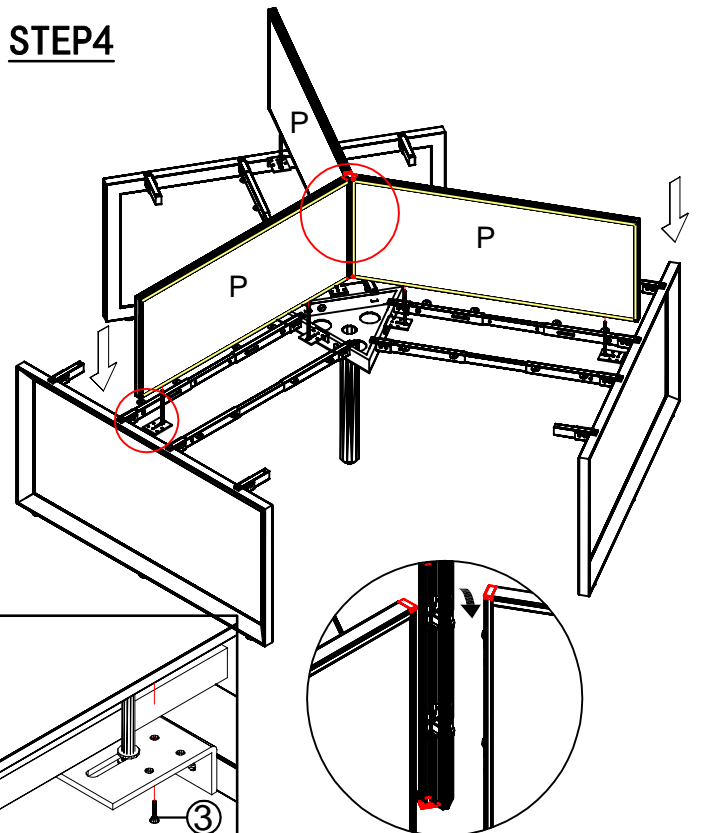
## STEP2



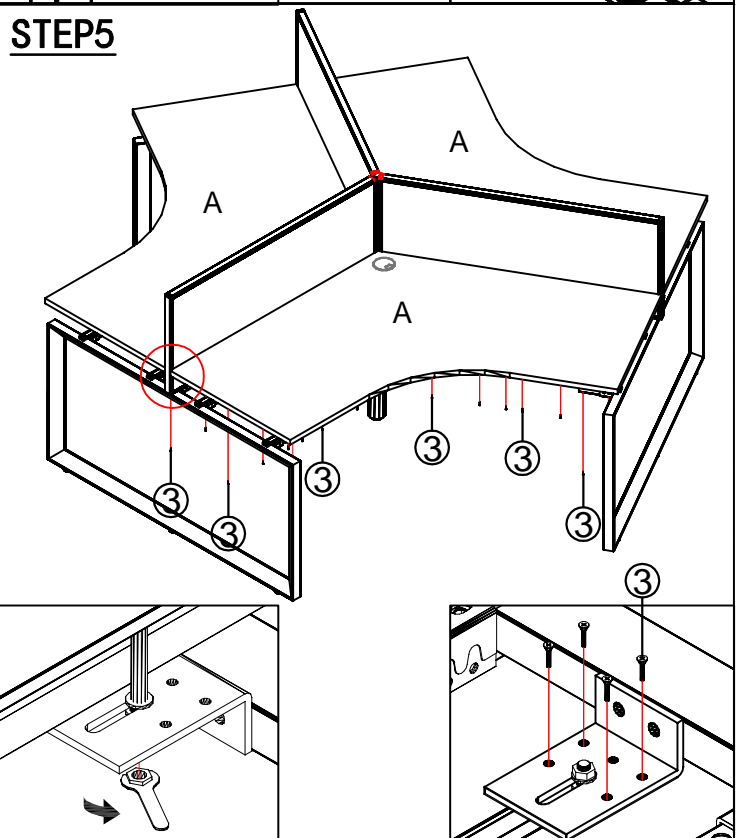
## STEP3



## STEP4



## STEP5



### IMPORTANT NOTE:

- Place all laminated parts on a clean and smooth surface such as a rug or carpet to avoid the parts from being scratched.
- Check to be sure that you have all parts and hardware.
- Remove all wrapping materials, including staples & packing straps before you start to assemble.
- Don't tighten all screws/bolts until all completely assembled.
- Keep all hardware parts out of reach of children

