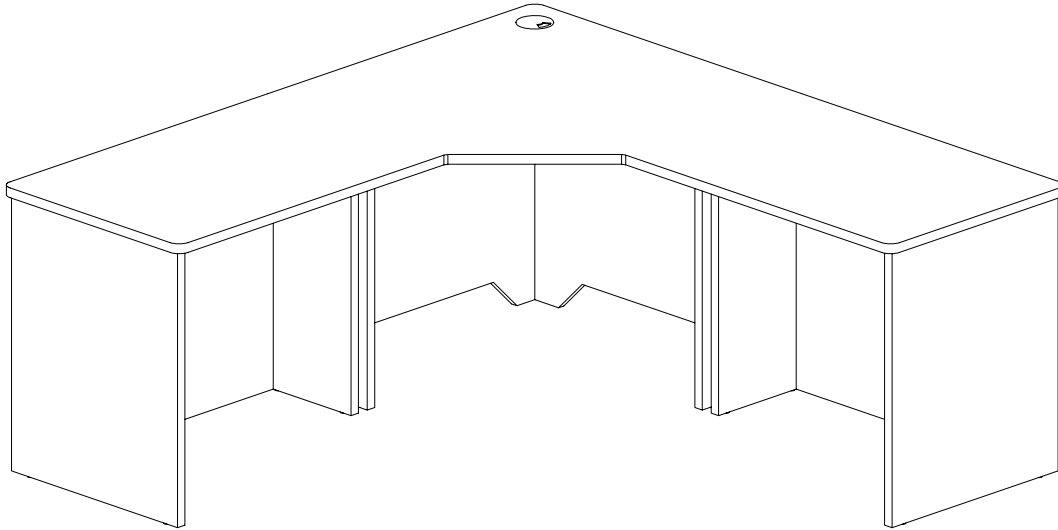
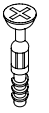


# ASSEMBLY INSTRUCTIONS

## VCW186-N



pin 6x35



1

34PCS

CAM



2

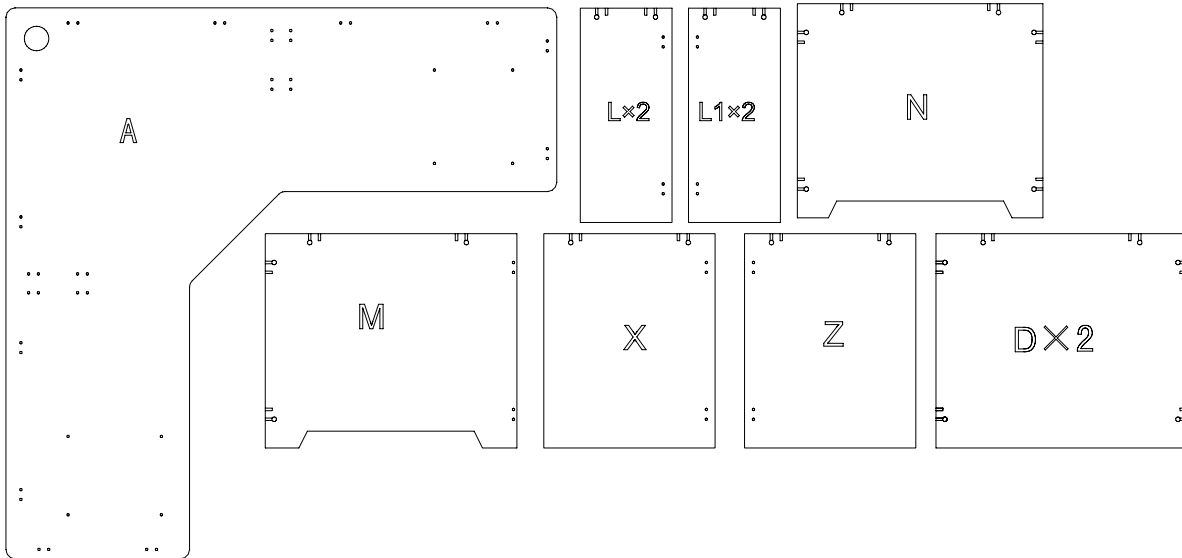
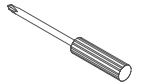
34PCS

Cam Cover

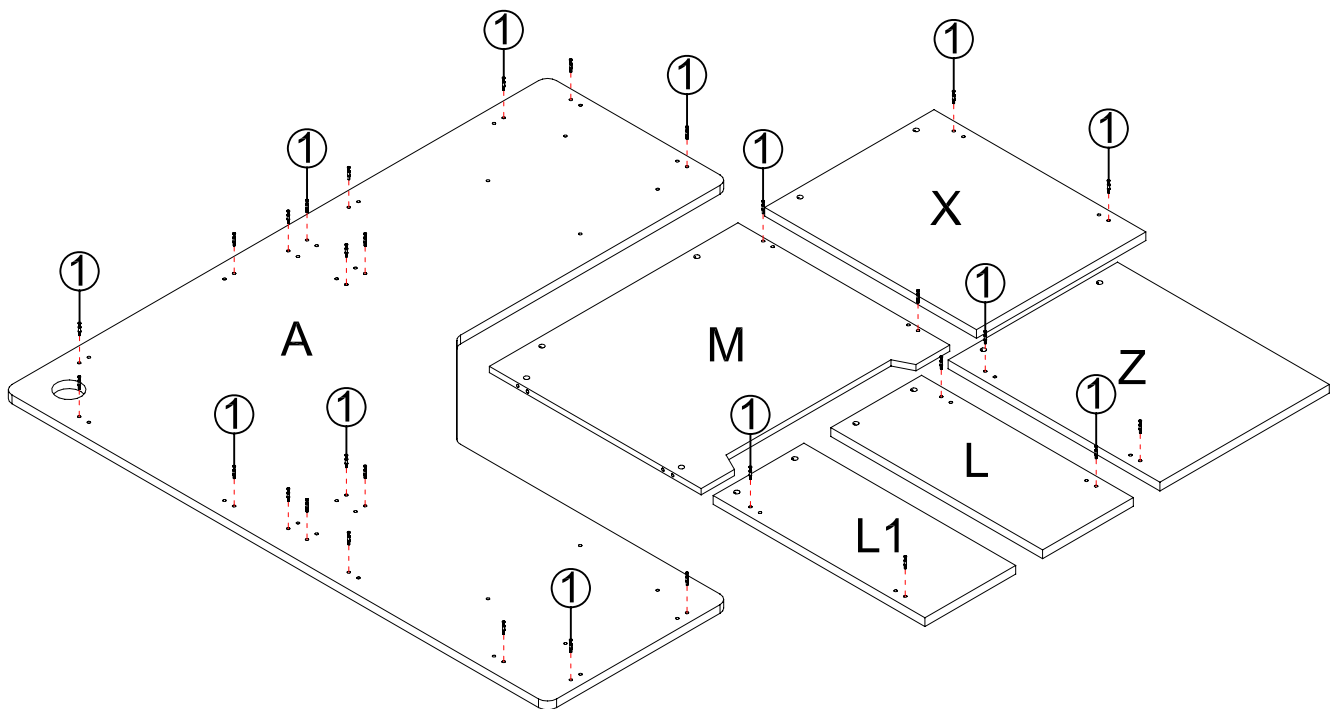


3

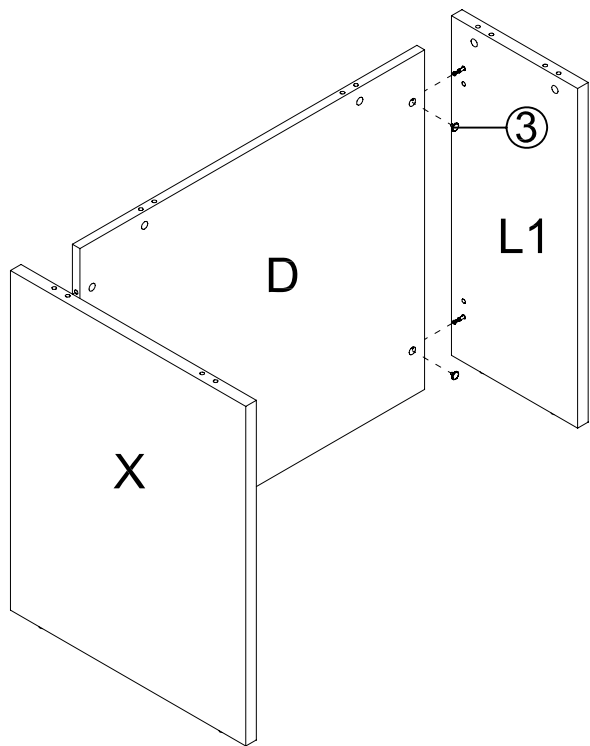
34PCS



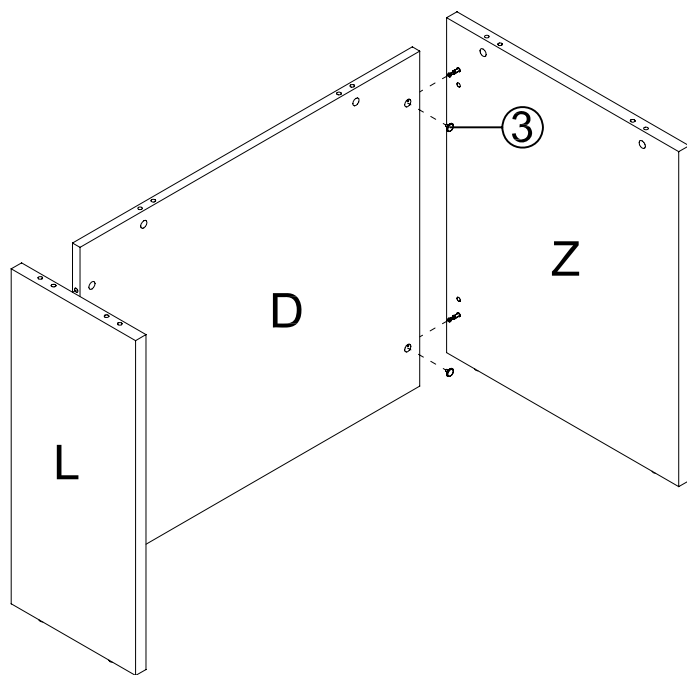
# 1



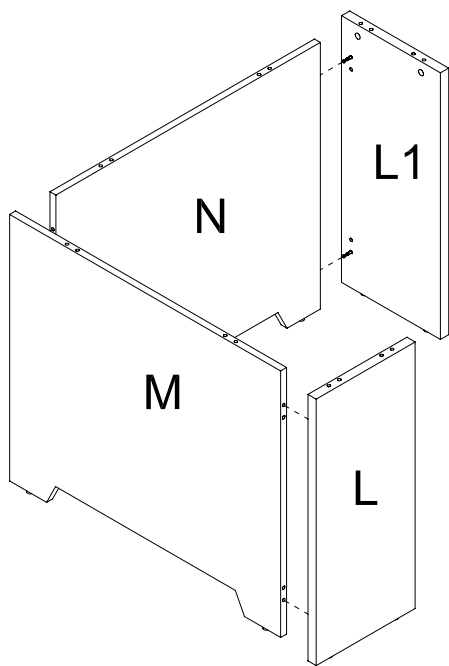
2



3



4



5

