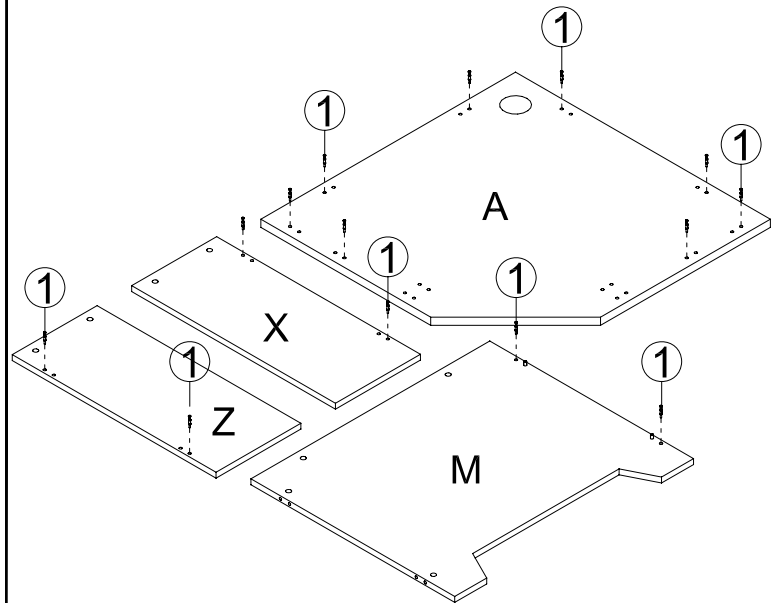
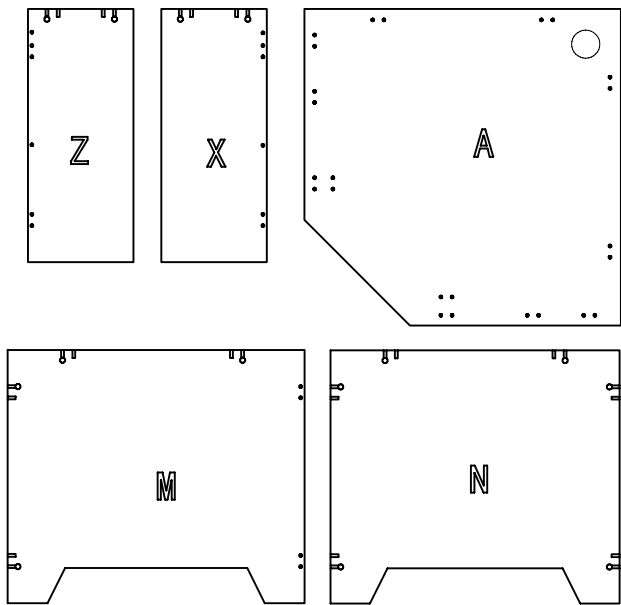
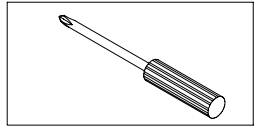
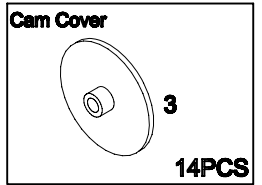
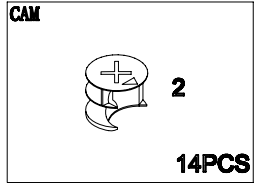
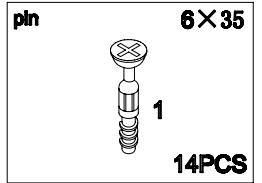
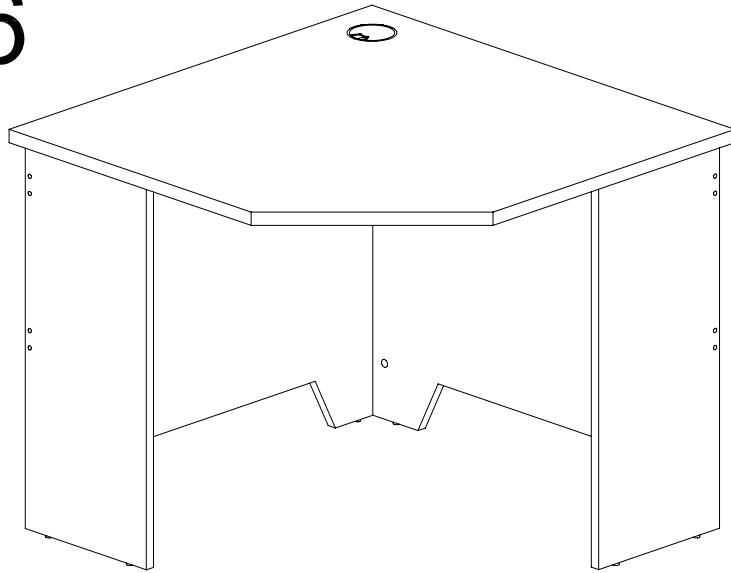
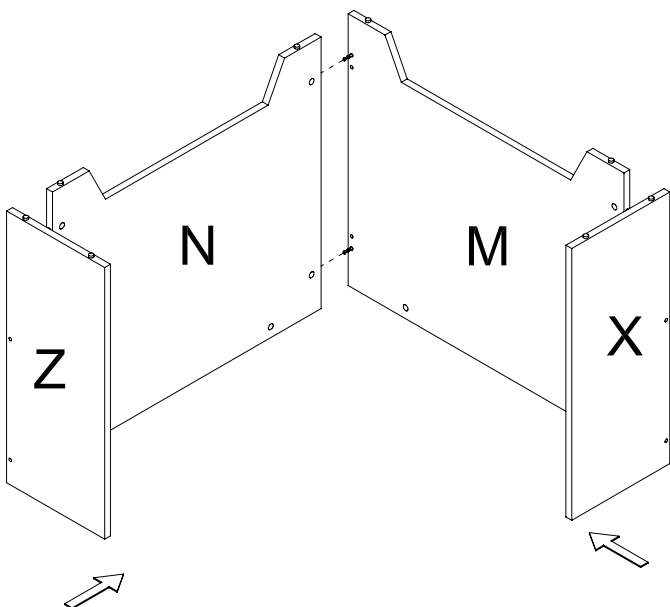


ASSEMBLY INSTRUCTIONS

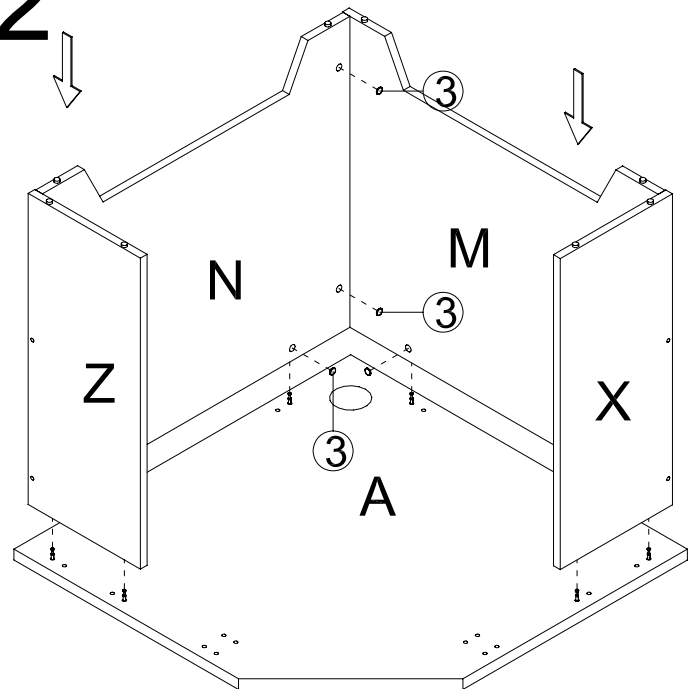
CCW96



1

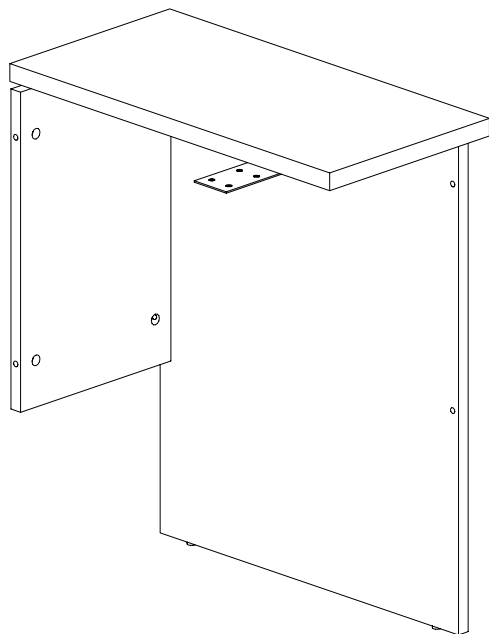


2

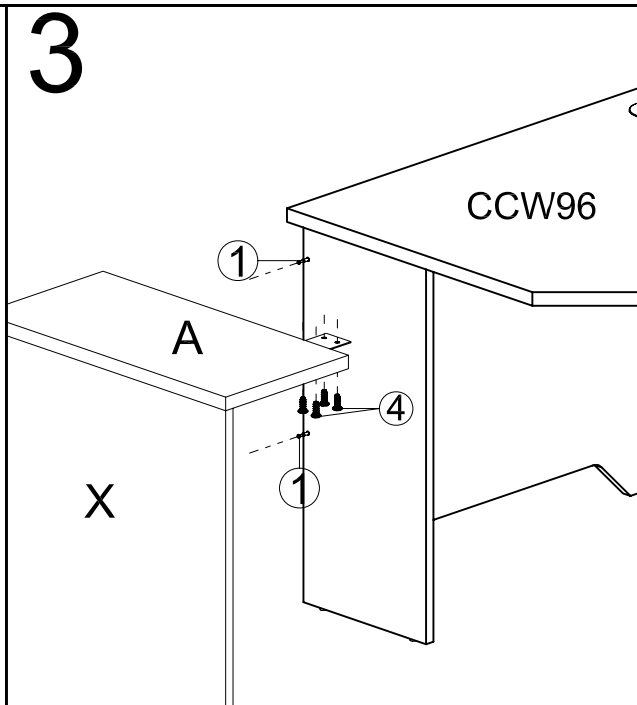
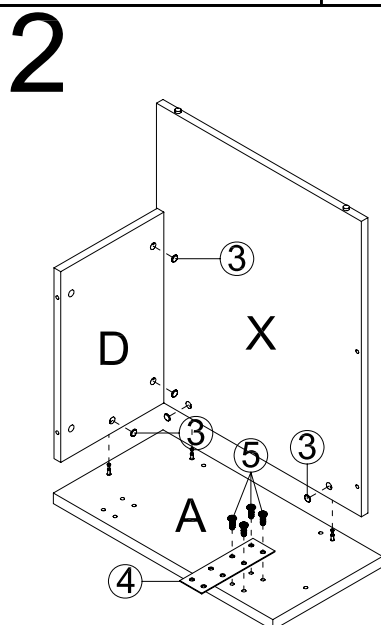
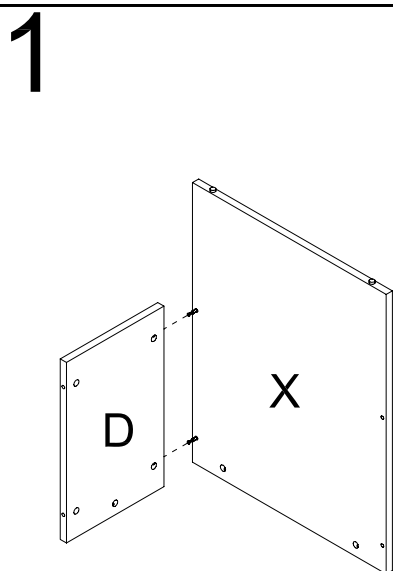
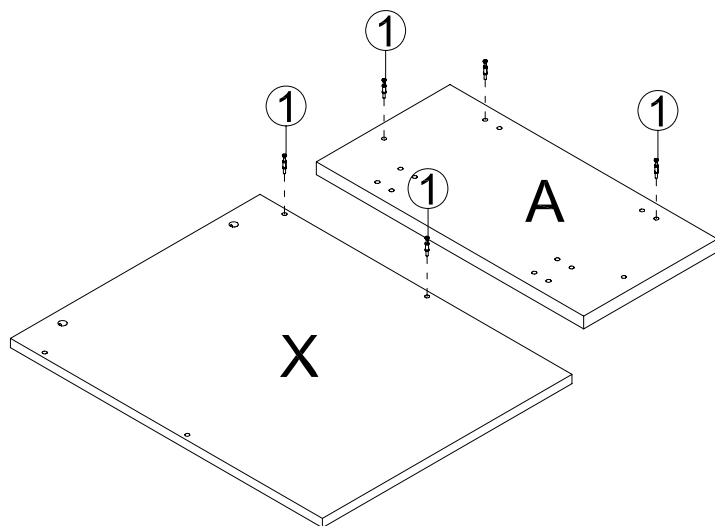
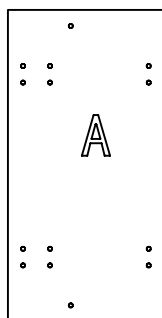
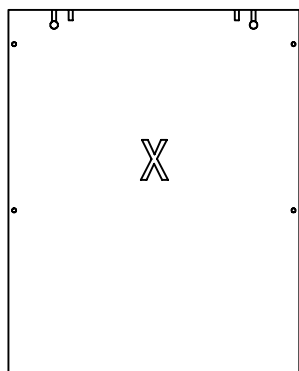
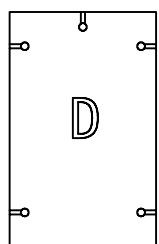


ASSEMBLY INSTRUCTIONS

CWR3



pin	6×35
1	7PCS
CAM	
2	7PCS
Cam Cover	
3	7PCS
CONNECTOR 200×60×2	
4	1PCS
Screw	6×12
5	8PCS

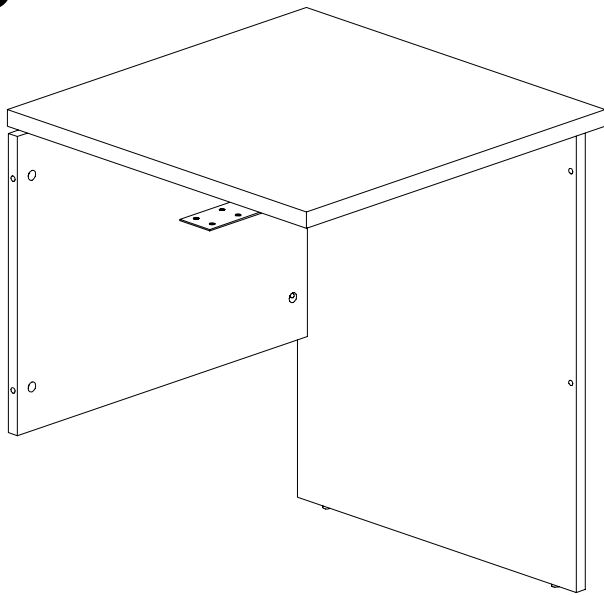





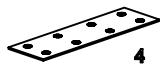

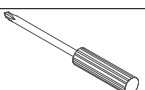
ASSEMBLY INSTRUCTIONS

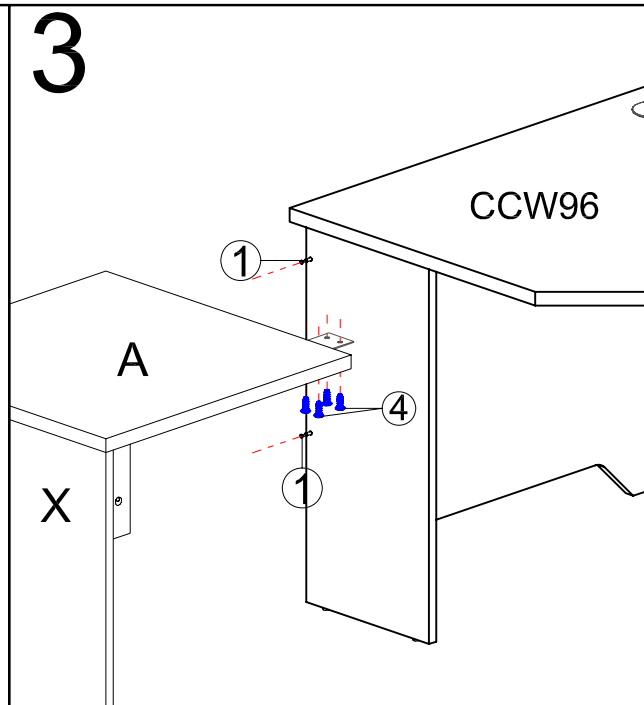
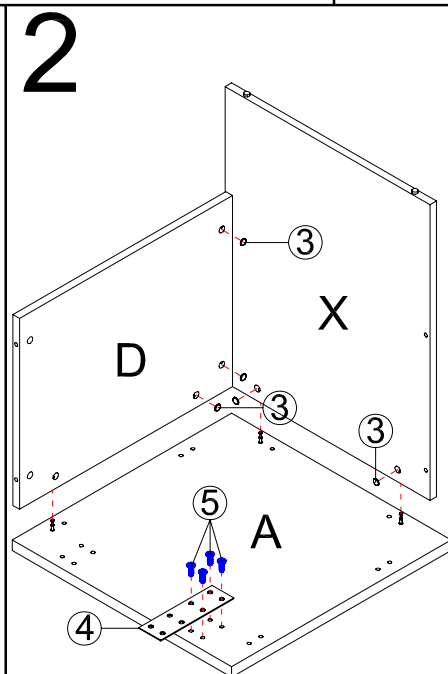
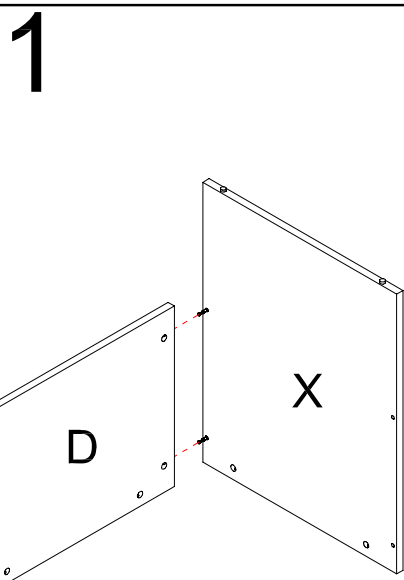
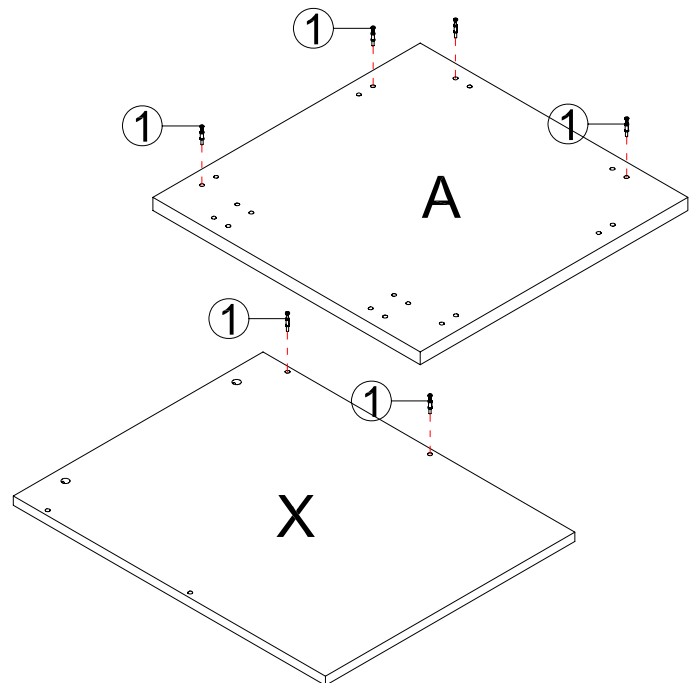
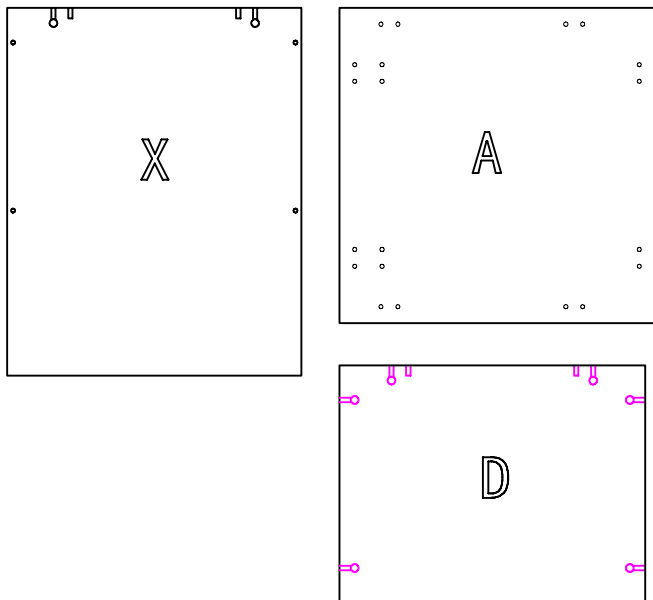
CWR6

rapidline
FURNITURE FOR TODAY

2011-8-25



pin	6x35
	1
	8PCS
CAM	
	2
	8PCS
Cam Cover	
	3
	8PCS
CONNECTOR	200x60x2
	4
	1PCS
Screw	6x12
	5
	8PCS
	



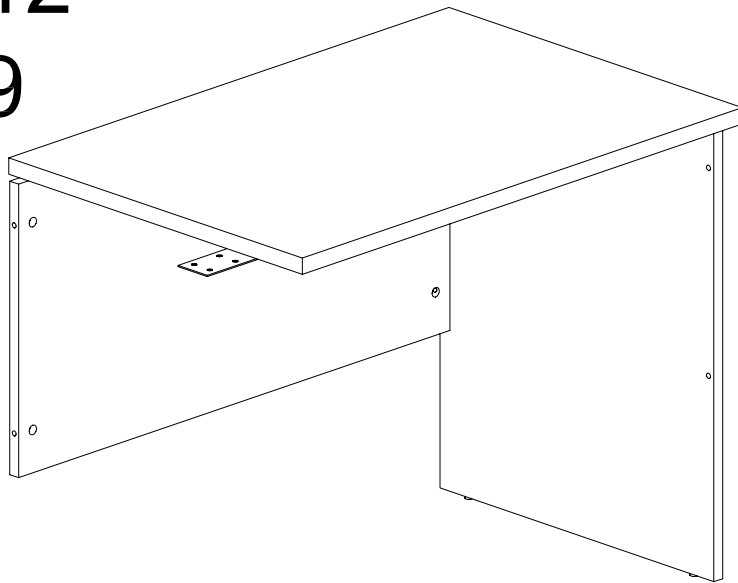
ASSEMBLY INSTRUCTIONS




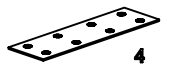

CWR12

CWR9

rapidline
FURNITURE FOR TODAY

2011-8-25



pin	6x35
	1
	8PCS
CAM	
	2
	8PCS
Cam Cover	
	3
	8PCS
CONNECTOR	200x60x2
	4
	1PCS
Screw	6x12
	5
	8PCS
