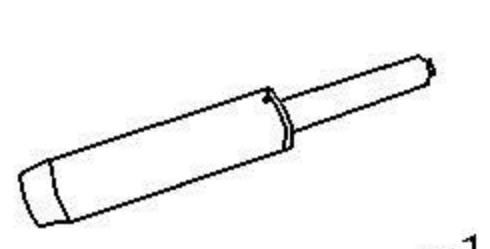
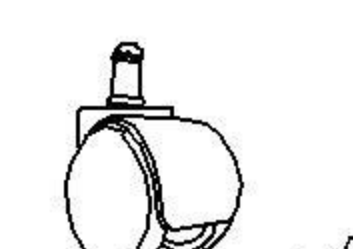

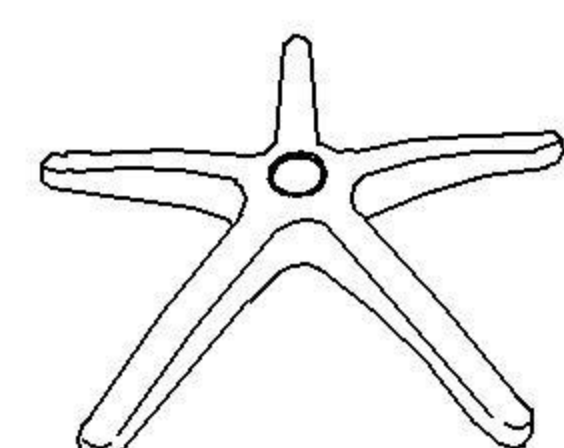
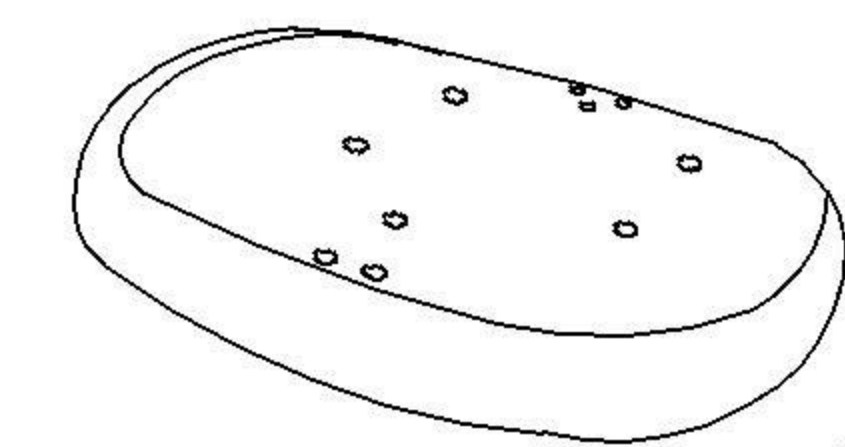
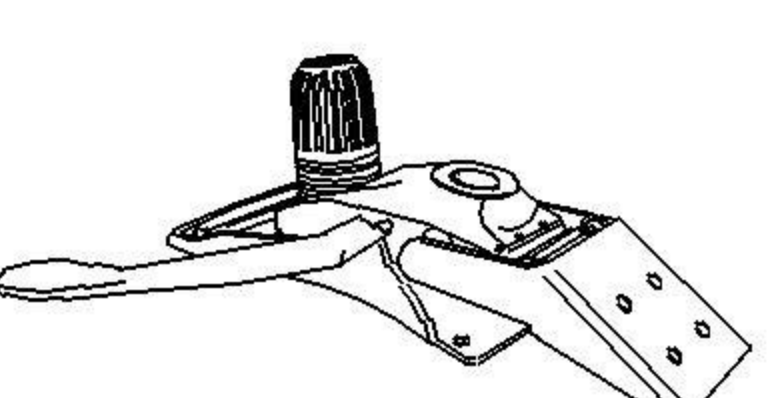
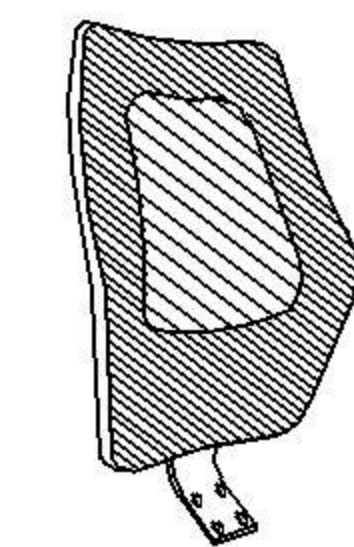


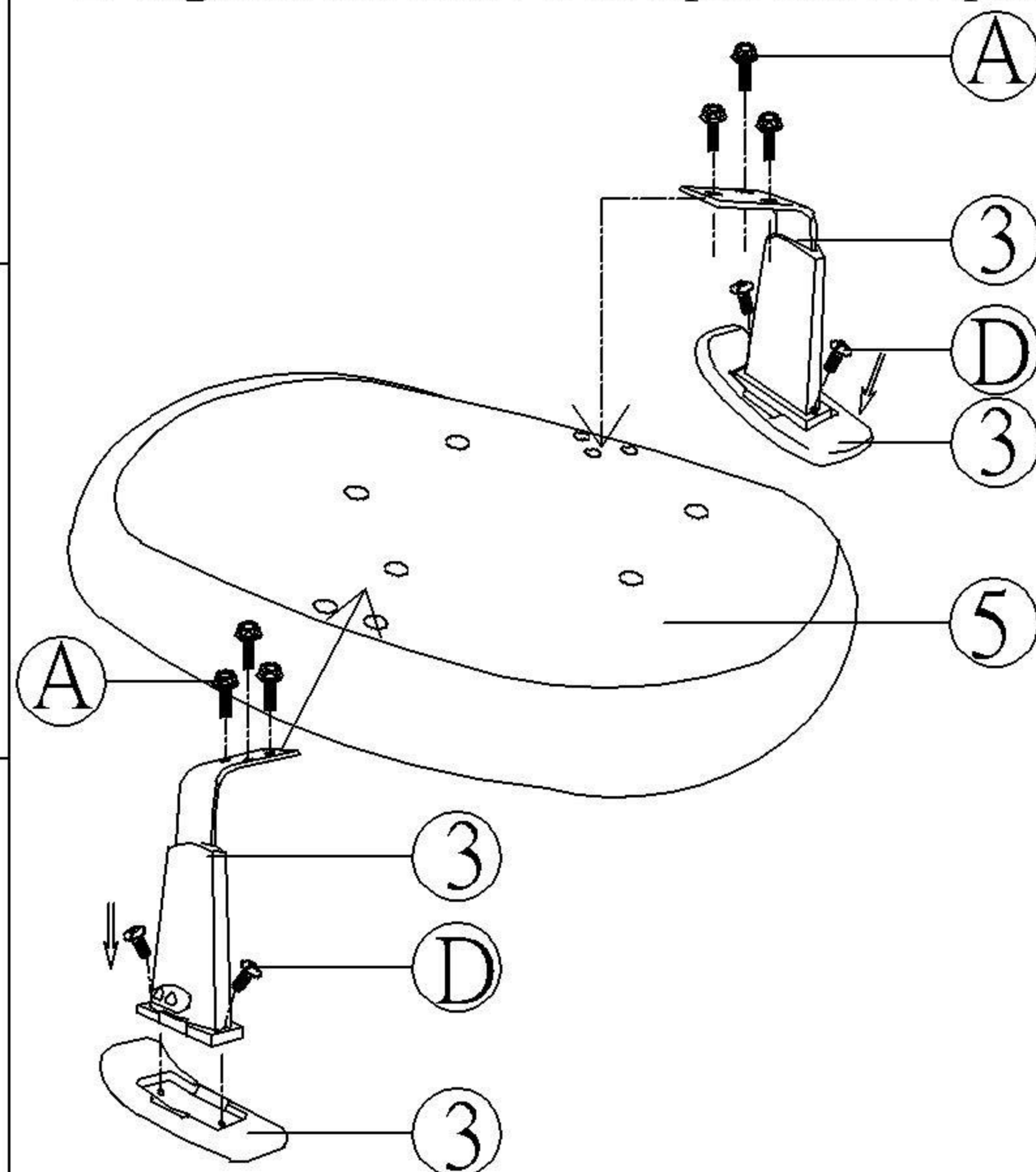
(F Series) Assembly instructions

List of the chair parts
(Note:Some parts are different from picture .
Please make the object as the standard)

① Gas lift x1 	② Castor x5 	③ Armrest x2 
④ Base x1 	⑤ Seating x1 	
⑥ Seat mechanism x1 	⑦ Backrest x1 	

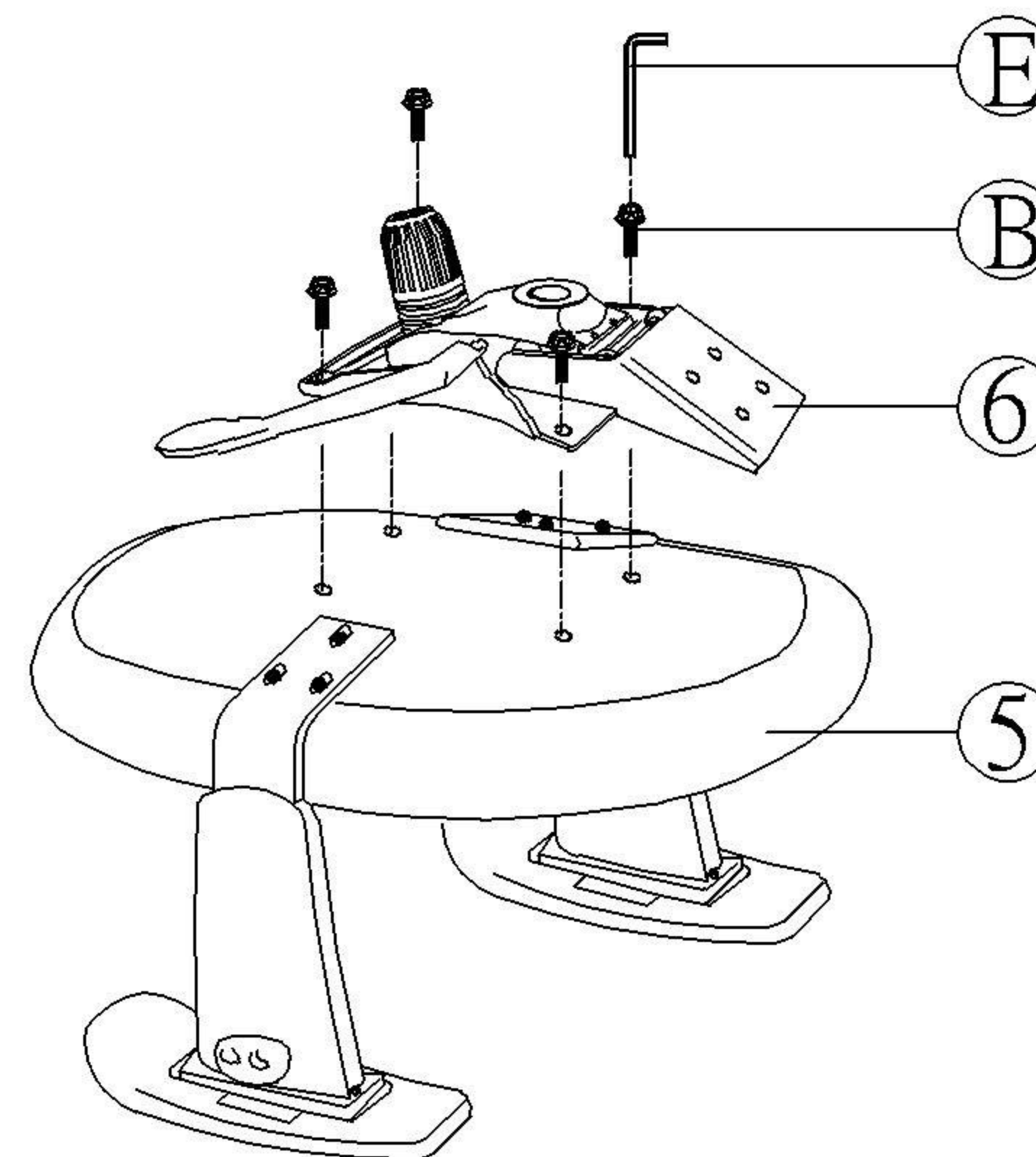
STEP 1:

1. Insert seat mechanism on the seating.
2. Tighten the screws A×6pcs and D×4pcs.



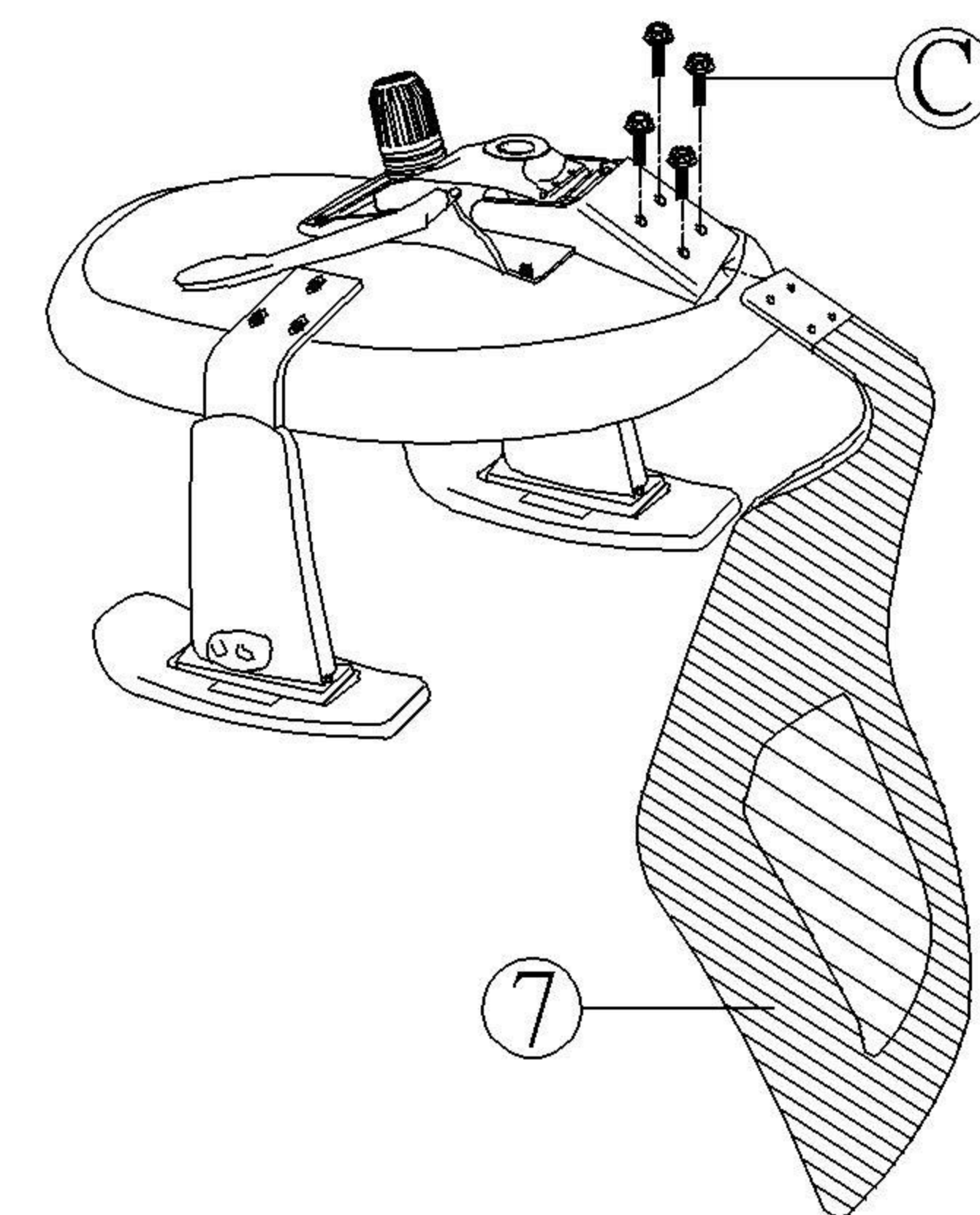
STEP 2:

1. Insert seat mechanism on the seating.
2. Tighten the screws B×4pcs.



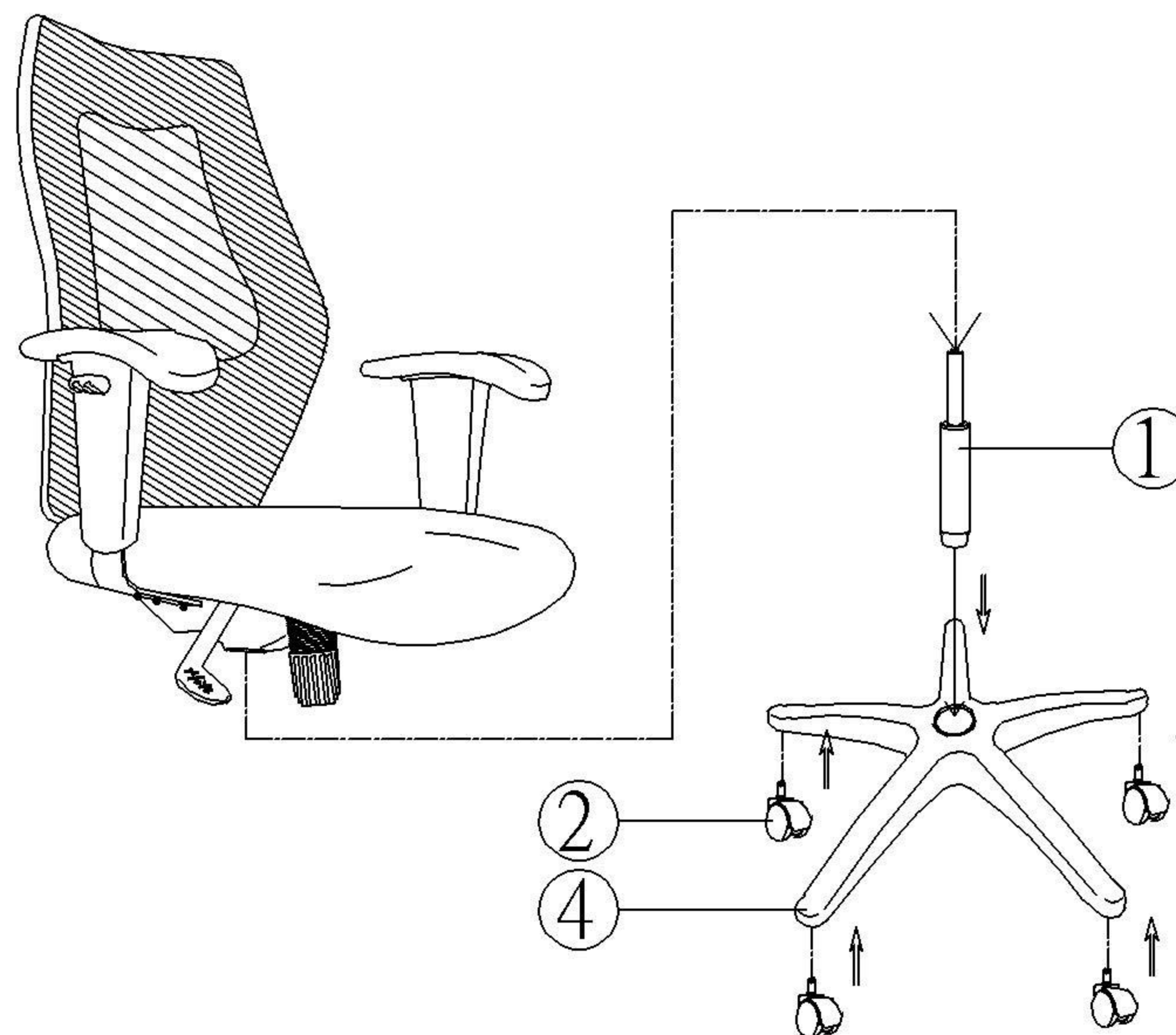
STEP 3:

1. Insert backrest into the seat mechanism.
2. Tighten the screws C×4pcs.



STEP 4:

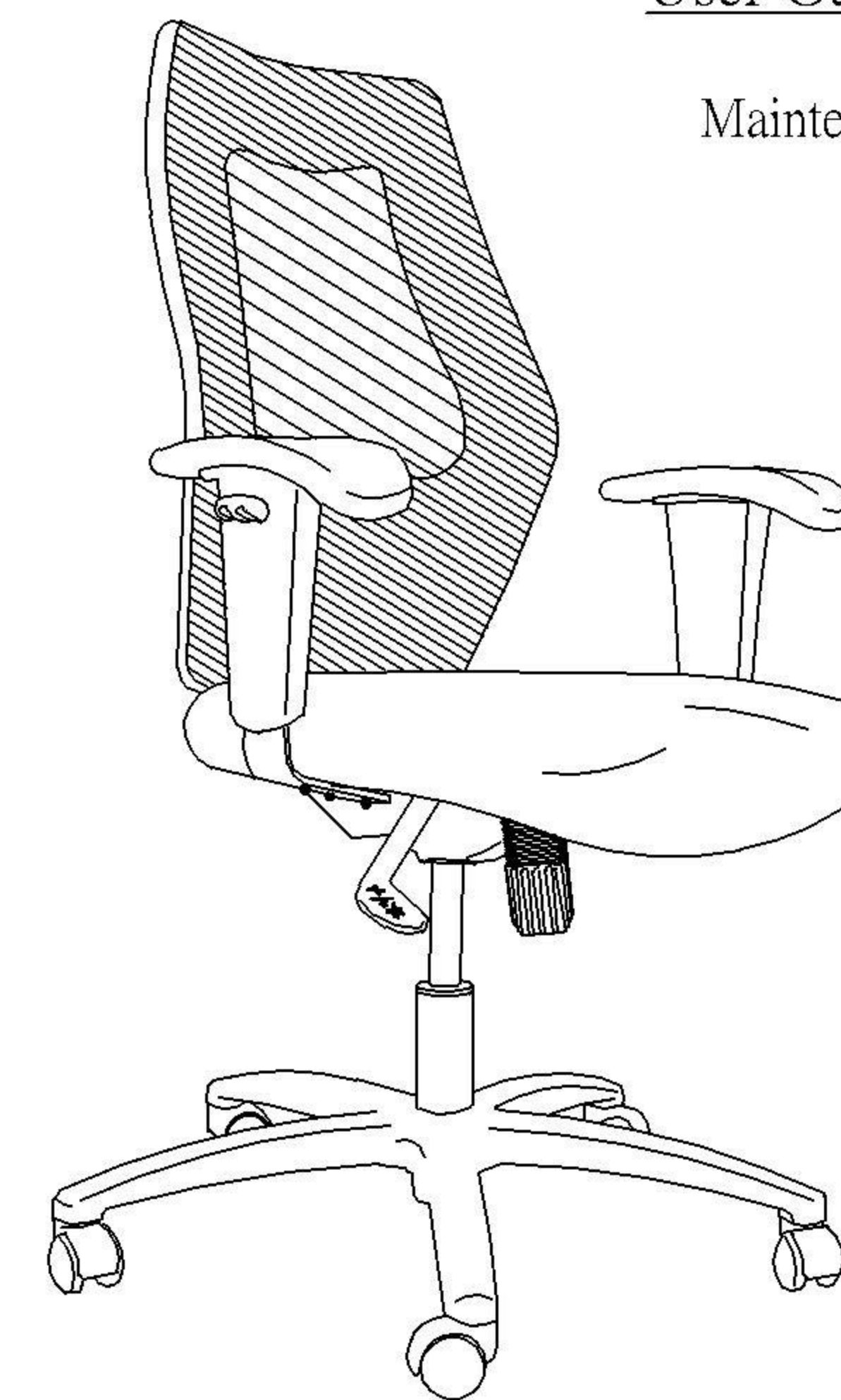
1. Insert five castors into the base and the gas lift also.
2. Insert the chair body with the base part together.






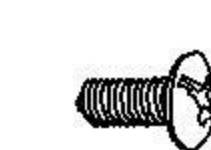

User Guide

Maintenance and Attention:

1. Make sure that the chair can only carry one person at a time.
2. Do not use the chair as a step stool or ladder.
3. Do not use the chair before all parts are properly assembled.
4. Do not use the chair unless all screws have been tightened.
5. If destroyed by outside forces or defect word, stop use the chair until repaired.
6. For your safety, the instructions listed above must be strictly observed.



⑧ Spare parts

No	Figure	Screw	Qty
A		M6*30mm	6PCS
B		M6*25mm	4PCS
C		M8*20mm	4PCS
D		M6*20mm	4PCS
E		M6	1PCS

Model no

AM 200