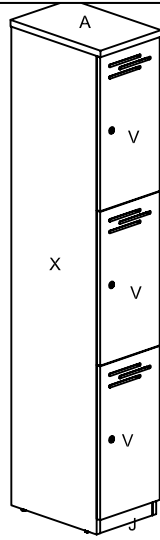
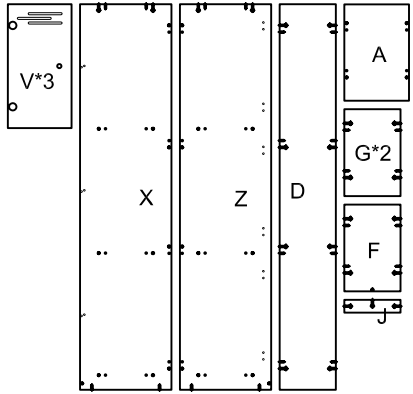


Assembly Instructions

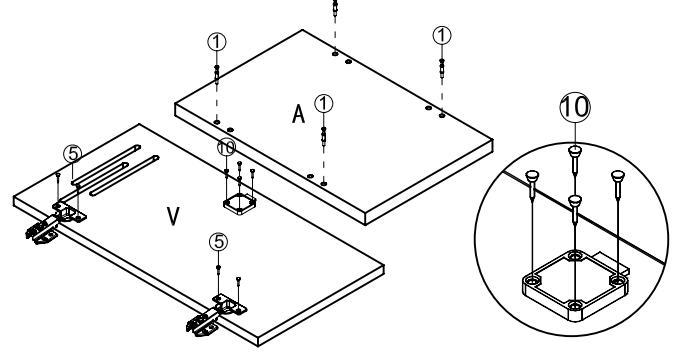
MODEL NO:WRML-305/3



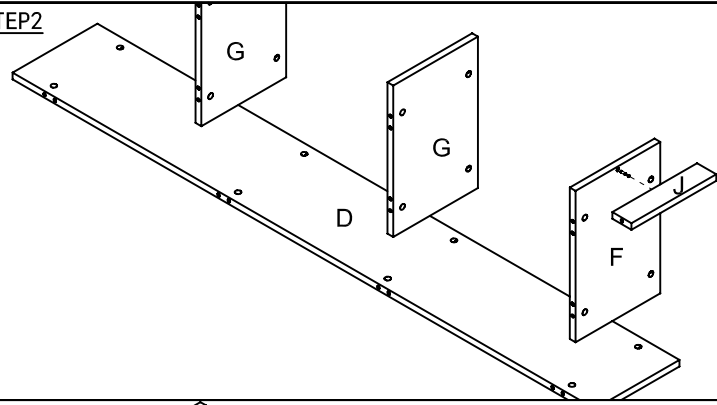
Pin 1	6-05 27PCS	ADJ. Feet 6	#18*5H 4PCS
Cam 2	27PCS	Lock 7	3PCS
Cam Cover 3	27PCS	Lock Catcher 8	3PCS
Hinge (full-overlay) 4	6PCS	Wood Screw 3.5*13 9	6PCS
Wood Screw 4*16 5	36PCS	Wood Screw 4*20 10	12PCS



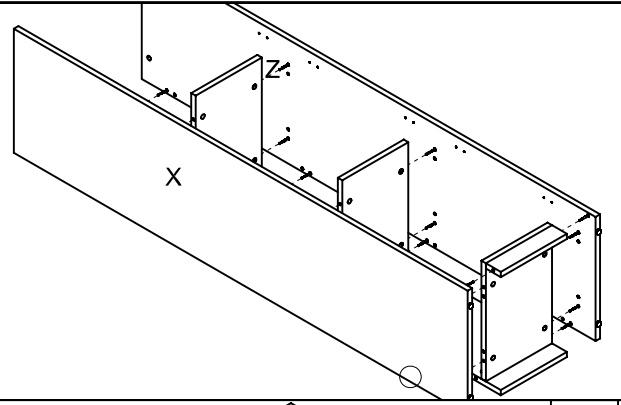
STEP1



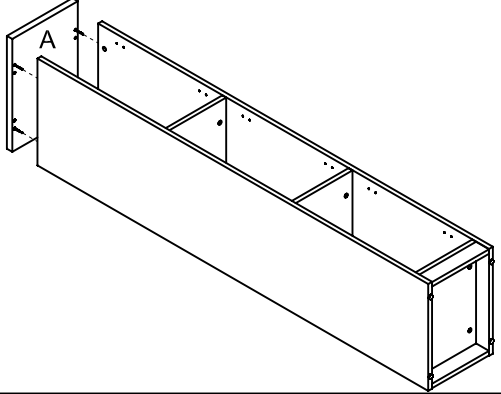
STEP2



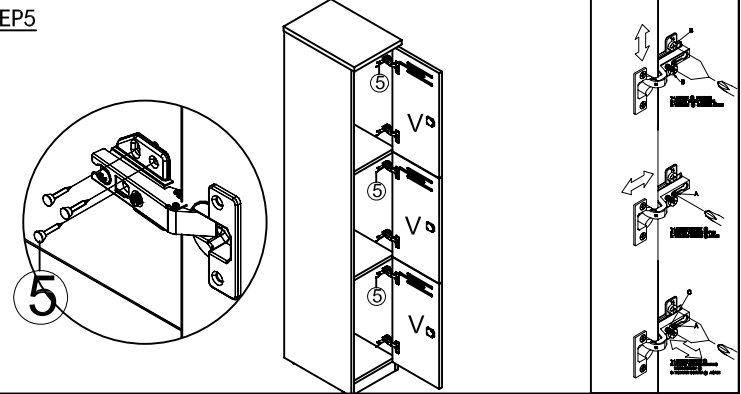
STEP3



STEP4



STEP5



IMPORTANT NOTE:

- Place all laminated parts on a clean and smooth surface such as a rug or carpet to avoid the parts from being scratched.
- Check to be sure that you have all parts and hardware.
- Remove all wrapping materials, including staples & packing straps before you start to assemble.
- Don't tighten all screws/bolts until all completely assembled.
- Keep all hardware parts out of reach of children

