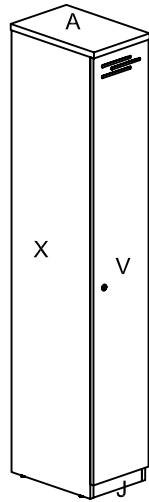
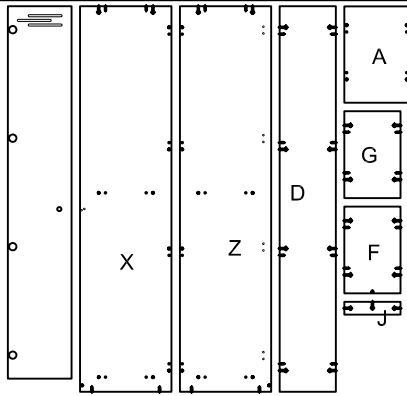


Assembly Instructions

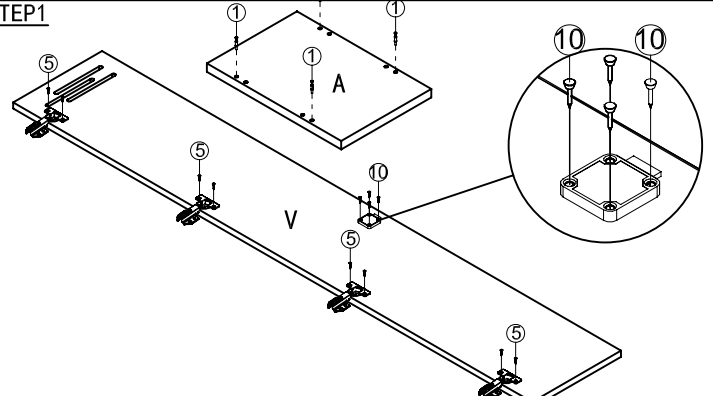
MODEL NO:WRML-305/1



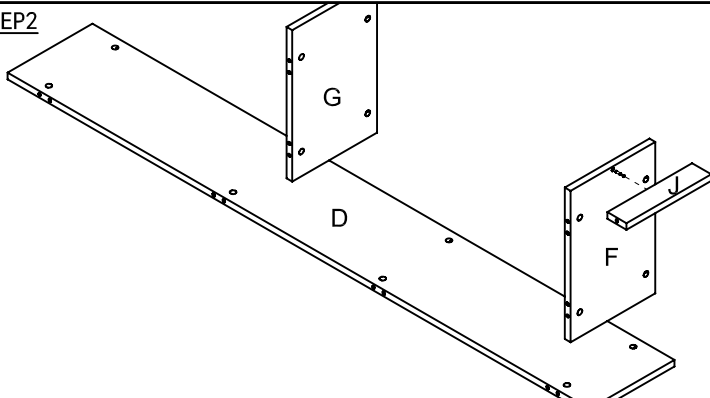
Pin 1 23PCS	ADJ. Feet 6 4PCS
Cam 2 23PCS	Lock 7 1PCS
Cam Cover 3 23PCS	Lock Catcher 8 1PCS
Hinge (full-overlay) 4 4PCS	Wood Screw 3.5x13 9 2PCS
Wood Screw 4x16 5 24PCS	Wood Screw 4x20 10 4PCS



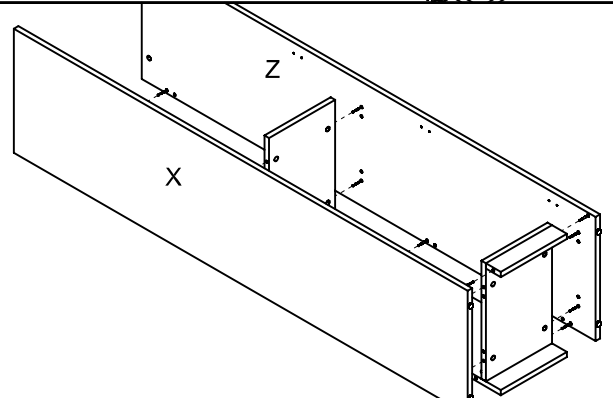
STEP1



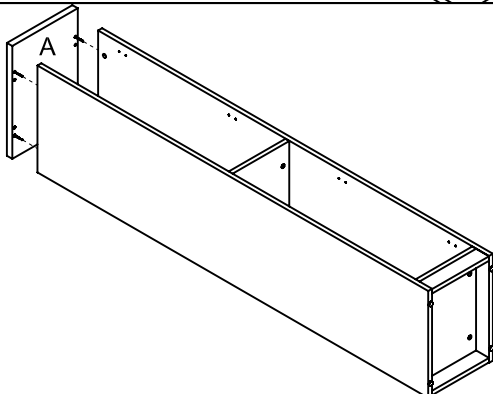
STEP2



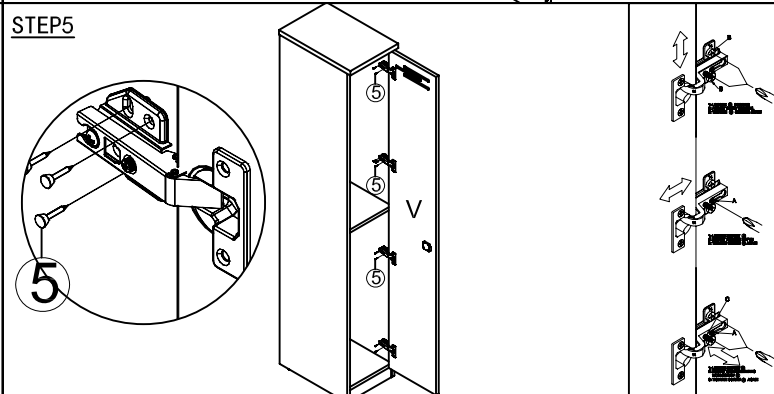
STEP3



STEP4



STEP5



IMPORTANT NOTE:

- Place all laminated parts on a clean and smooth surface such as a rug or carpet to avoid the parts from being scratched.
- Check to be sure that you have all parts and hardware.
- Remove all wrapping materials, including staples & packing straps before you start to assemble.
- Don't tighten all screws/bolts until all completely assembled.
- Keep all hardware parts out of reach of children

