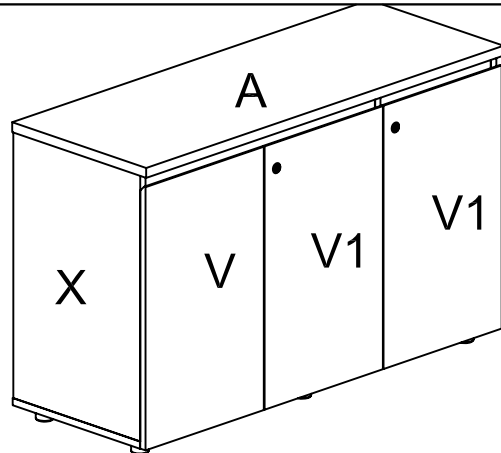


# Assembly Instructions

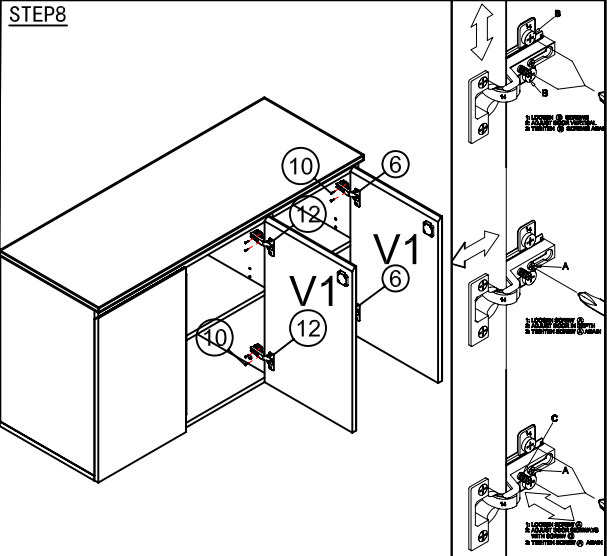
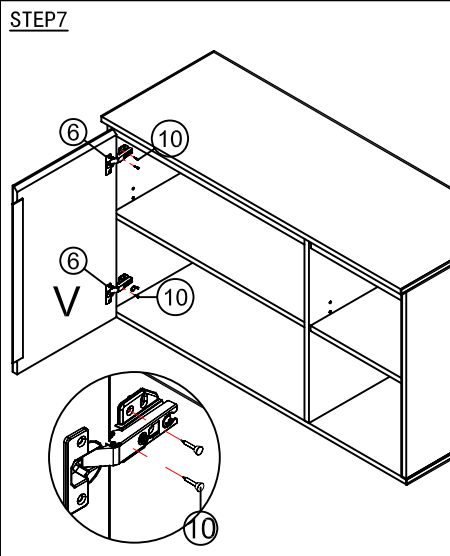
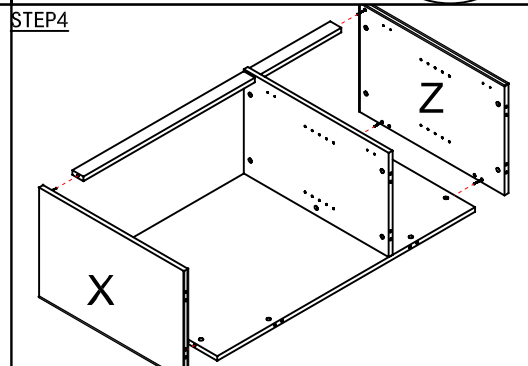
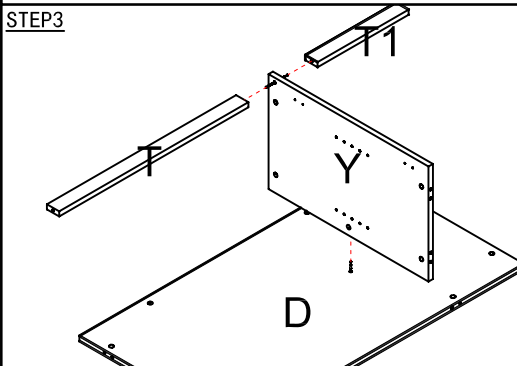
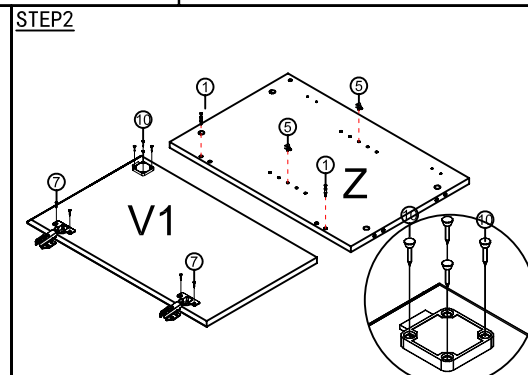
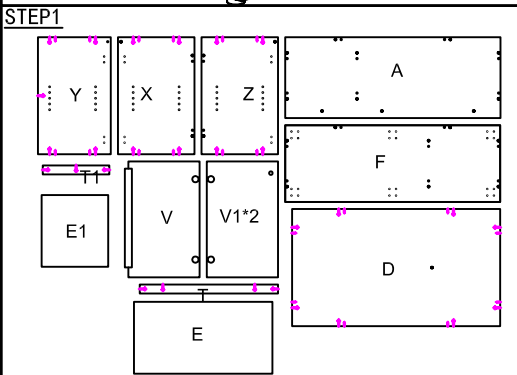
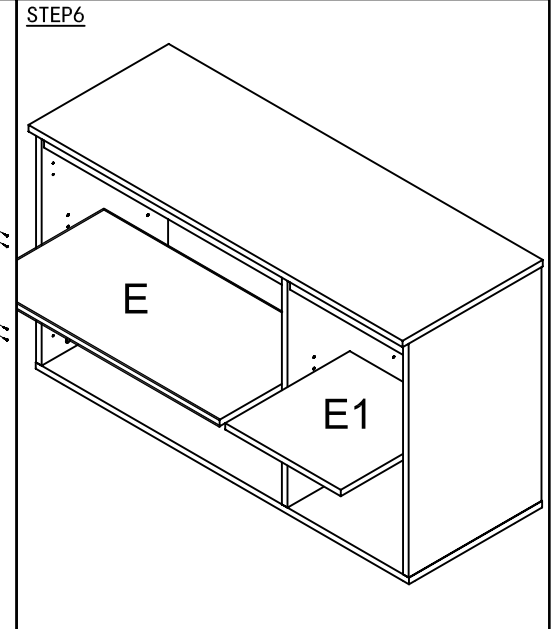
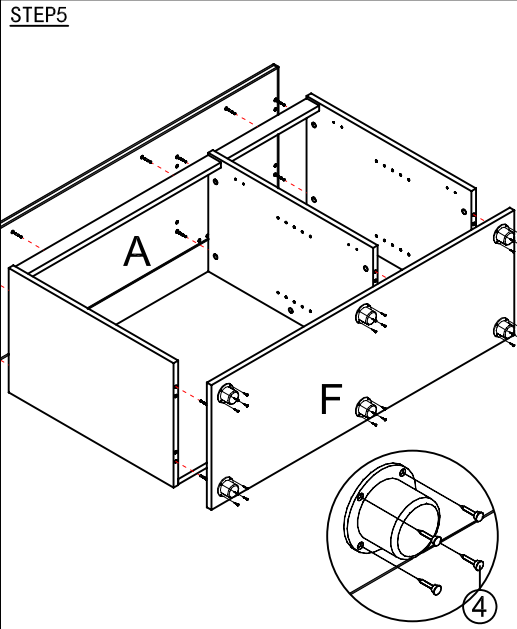
MODEL NO: ISFD1245/ISFD1545

# Assembly Instructions

MODEL NO: ISFD1245/ISFD1545

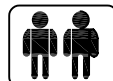


Pin 6x35 28PCS 1	Shelf Pin 8PCS 5	Lock 2PCS 9
Cam 28PCS 2	Hinge (full-overlay) 4PCS 6	Wood Screw 4x20 8PCS 10
Cam Cover 28PCS 3	Wood Screw 4x16 36PCS 7	ADJ. Feet ø42x35H 6PCS 11
Wood Screw 3.5x13 28PCS 4	Lock Catcher 2PCS 8	Hinge(half-overlay) 2PCS 12



**IMPORTANT NOTE:**

- Place all laminated parts on a clean and smooth surface such as a rug or carpet to avoid the parts from being scratched.
- Check to be sure that you have all parts and hardware.
- Remove all wrapping materials, including staples & packing straps before you start to assemble.
- Don't tighten all screws/bolts until all completely assembled.
- Keep all hardware parts out of reach of children



**IMPORTANT NOTE:**

- Place all laminated parts on a clean and smooth surface such as a rug or carpet to avoid the parts from being scratched.
- Check to be sure that you have all parts and hardware.
- Remove all wrapping materials, including staples & packing straps before you start to assemble.
- Don't tighten all screws/bolts until all completely assembled.
- Keep all hardware parts out of reach of children

