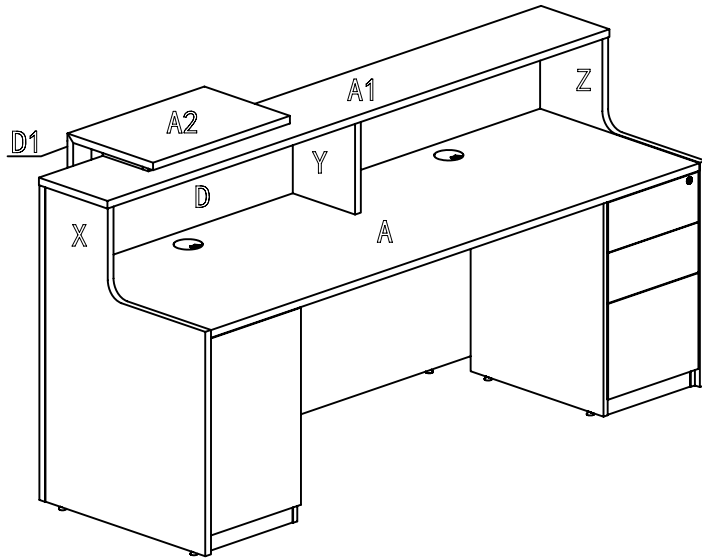


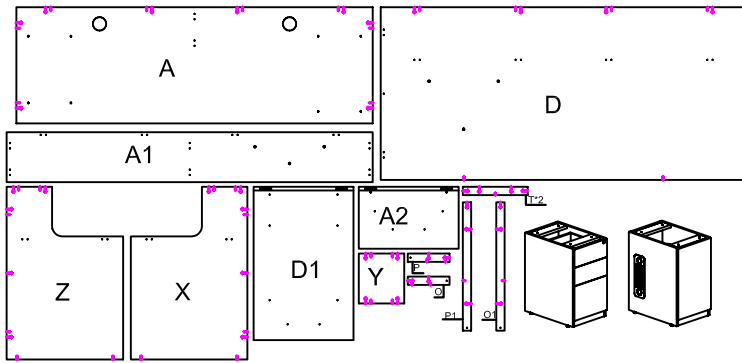
# Assembly Instructions

MODEL NO: RC1

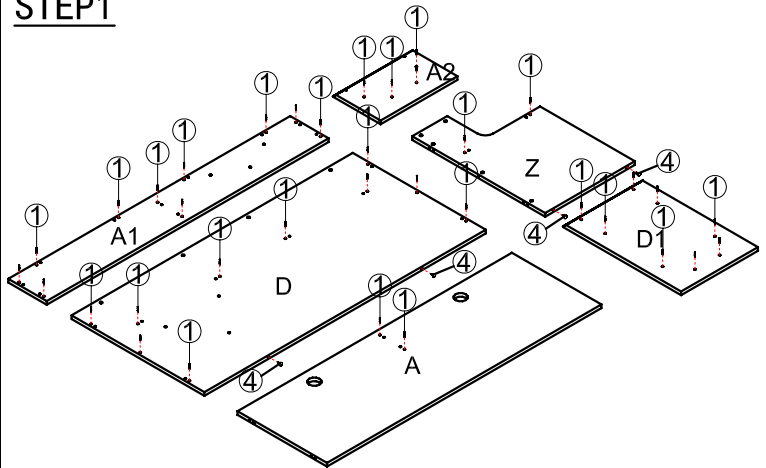


pin 6x35 1 44+4PCS	The wheel 6x35 5 6PCS
CAM 2 44+4PCS	ADJ.FEET Ø24x12II 4 6PCS
Cam Cover 3 44+4PCS	M4 1PCS

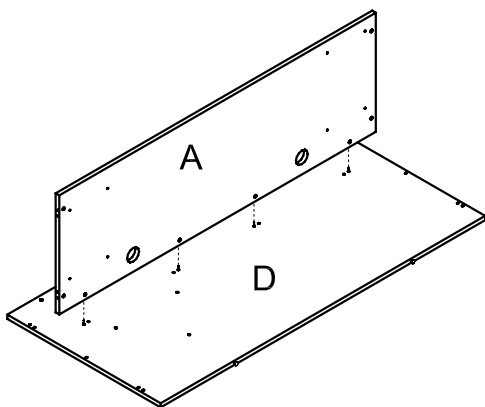
A



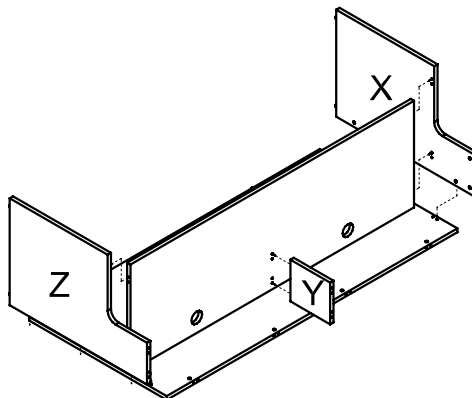
## STEP1



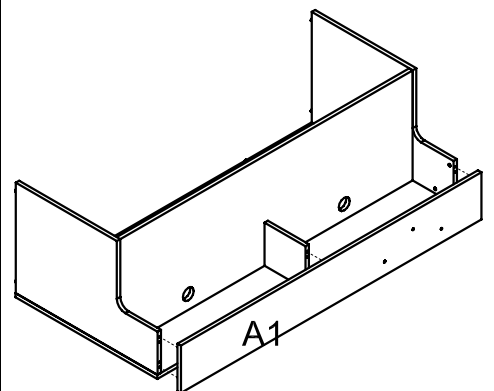
## STEP2



## STEP3

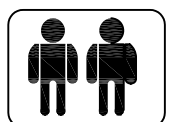


## STEP4



### IMPORTANT NOTE:

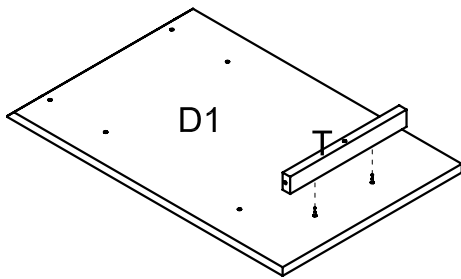
- Place all laminated parts on a clean and smooth surface such as a rug or carpet to avoid the parts from being scratched.
- Check to be sure that you have all parts and hardware.
- Remove all wrapping materials, including staples & packing straps before you start to assemble.
- Don't tighten all screws/bolts until all completely assembled.
- Keep all hardware parts out of reach of children



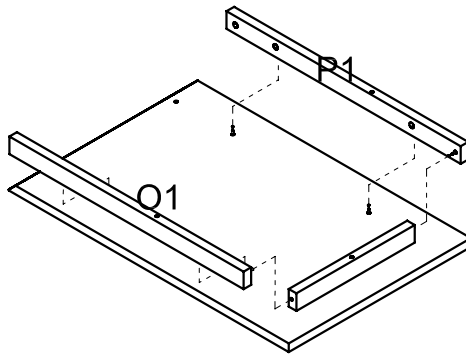
# Assembly Instructions

MODEL NO: RC1

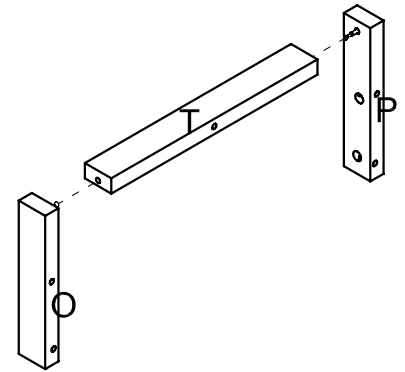
**STEP5**



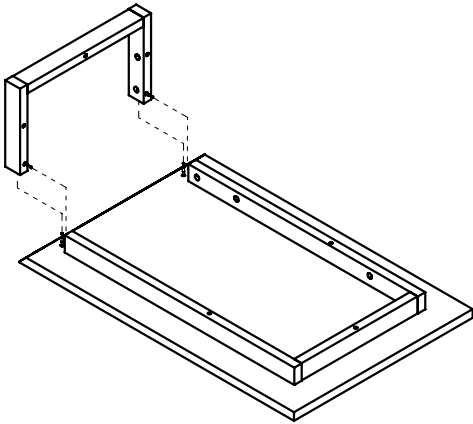
**STEP6**



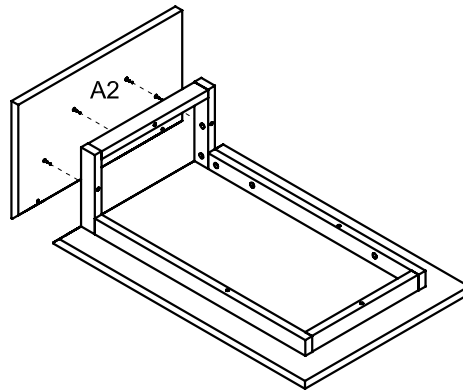
**STEP7**



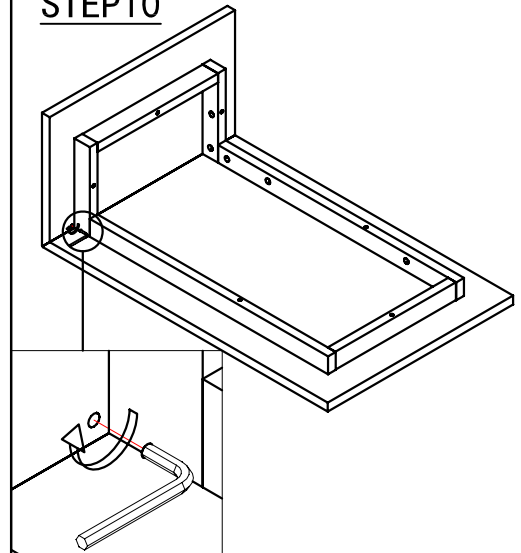
**STEP8**



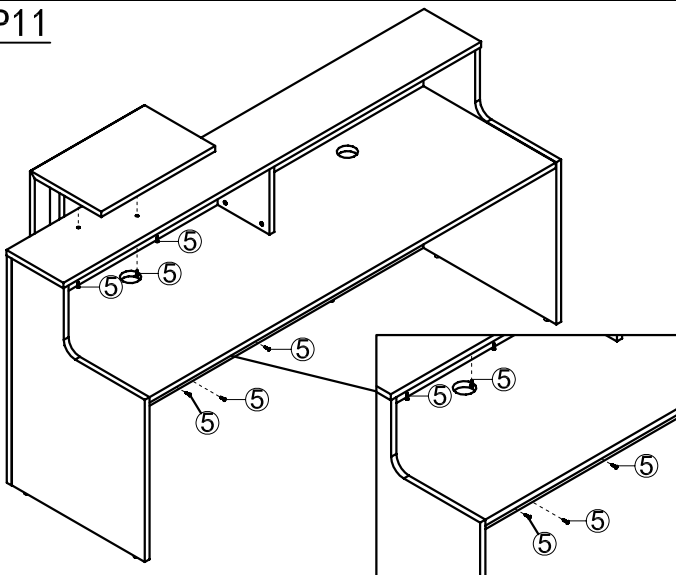
**STEP9**



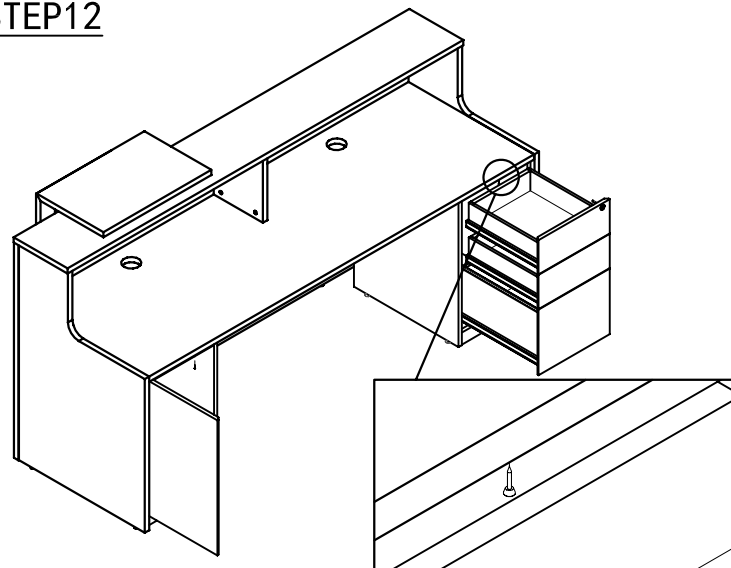
**STEP10**



**STEP11**

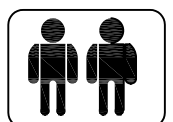


**STEP12**



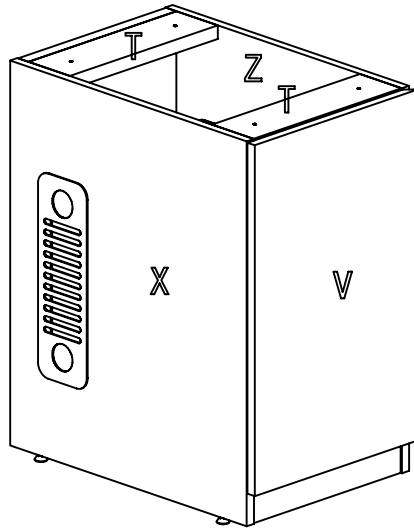
## IMPORTANT NOTE:

- Place all laminated parts on a clean and smooth surface such as a rug or carpet to avoid the parts from being scratched.
- Check to be sure that you have all parts and hardware.
- Remove all wrapping materials, including staples & packing straps before you start to assemble.
- Don't tighten all screws/bolts until all completely assembled.
- Keep all hardware parts out of reach of children



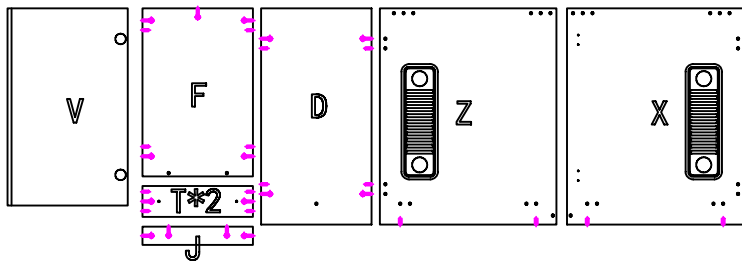
# Assembly Instructions

MODEL NO: RC1-A

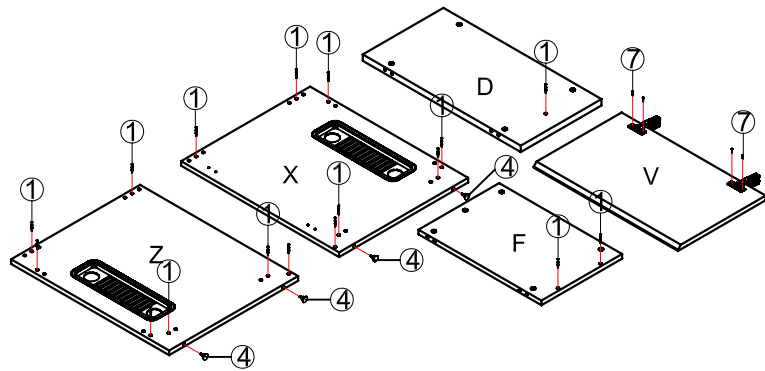


pin 6×35 1 15PCS	Screw 4×35 5 4PCS
CAM 2 15PCS	6 2PCS
Cam Cover 3 15PCS	Screw 4×16 7 12PCS
ADJ.FEET φ24×12H 4 4PCS	

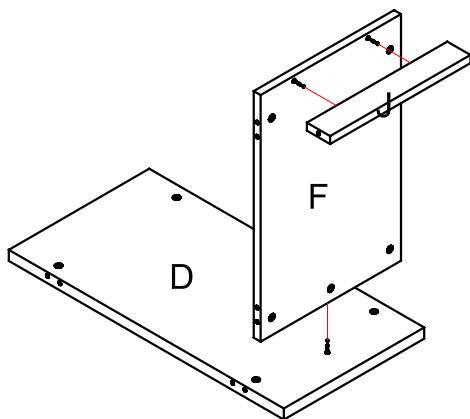
A



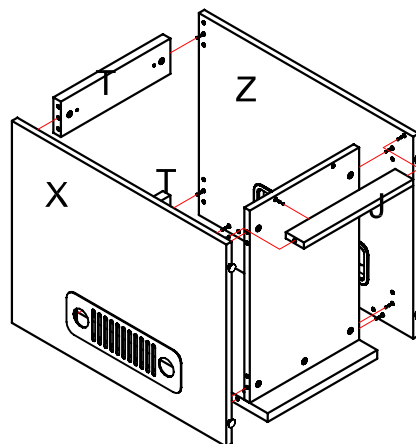
## STEP1



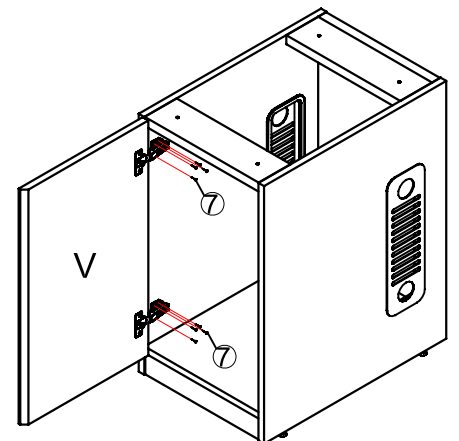
## STEP2



## STEP3



## STEP4



### IMPORTANT NOTE:

- Place all laminated parts on a clean and smooth surface such as a rug or carpet to avoid the parts from being scratched.
- Check to be sure that you have all parts and hardware.
- Remove all wrapping materials, including staples & packing straps before you start to assemble.
- Don't tighten all screws/bolts until all completely assembled.
- Keep all hardware parts out of reach of children

