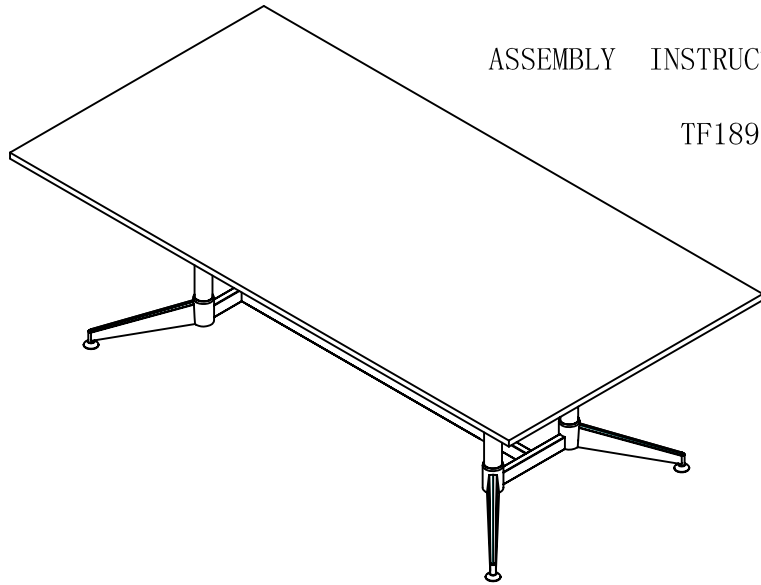


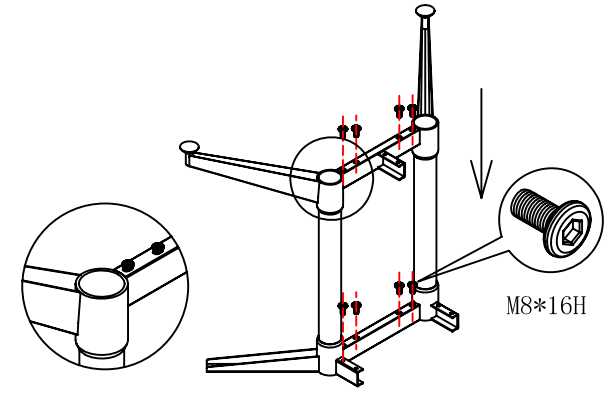
ASSEMBLY INSTRUCTIONS

TF189



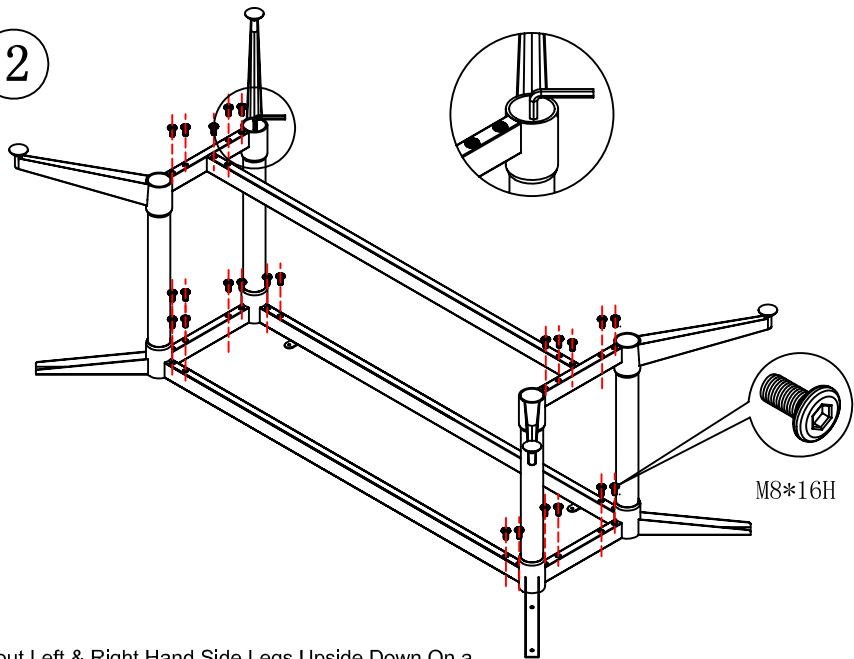
	M8*16H 28pcs
	M5*20H 12pcs
	M12 1pcs
	M6 1pcs
	M6 1pcs
	ø16 1pcs

1



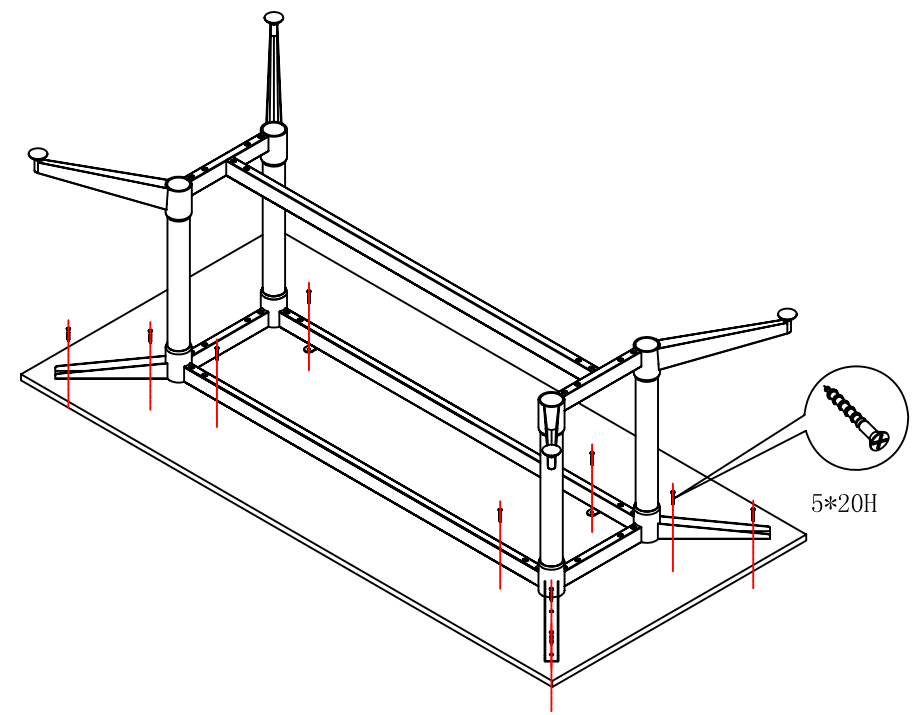
Slide Both The Bottom And Top Cross Bar Into The Left & Right Hand Side End Uprights - Attach Cross Bars With M8 Bolts (Do Not Completely Tighten Bolts)

2



Layout Left & Right Hand Side Legs Upside Down On a Flat Surface. Slide Central Support Beams Into Legs - Attach Support Beams With M8 Bolts (Do Not Completely Tighten Bolts) . Once The Frame Is Sitting Flush On the Flat Surface, Tighten All Bolts Completely.

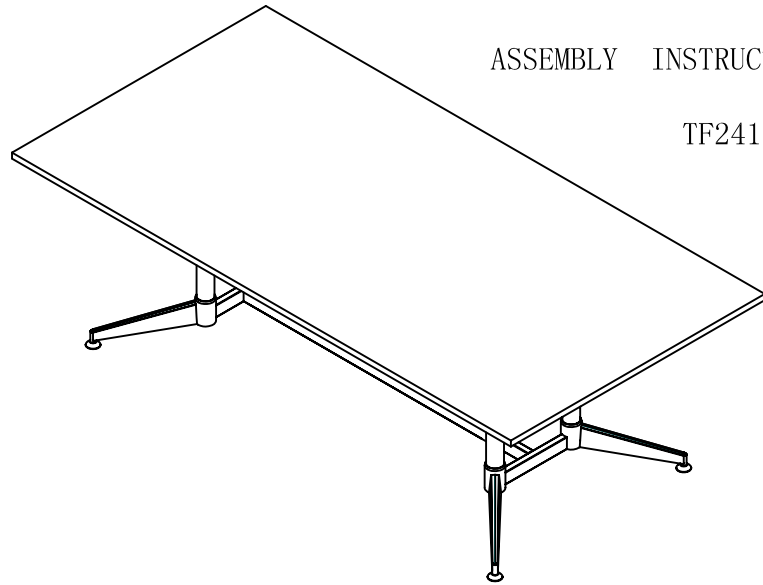
3



5*20H

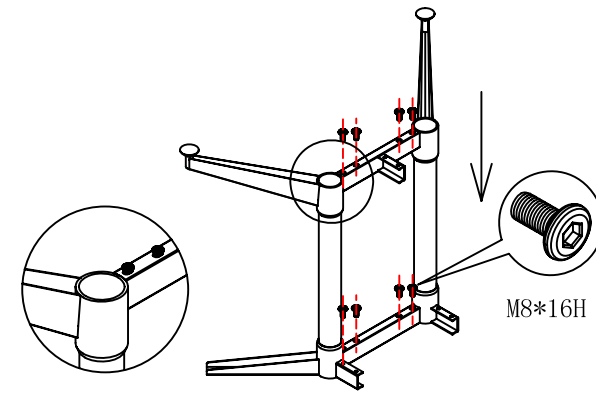
ASSEMBLY INSTRUCTIONS

TF2412



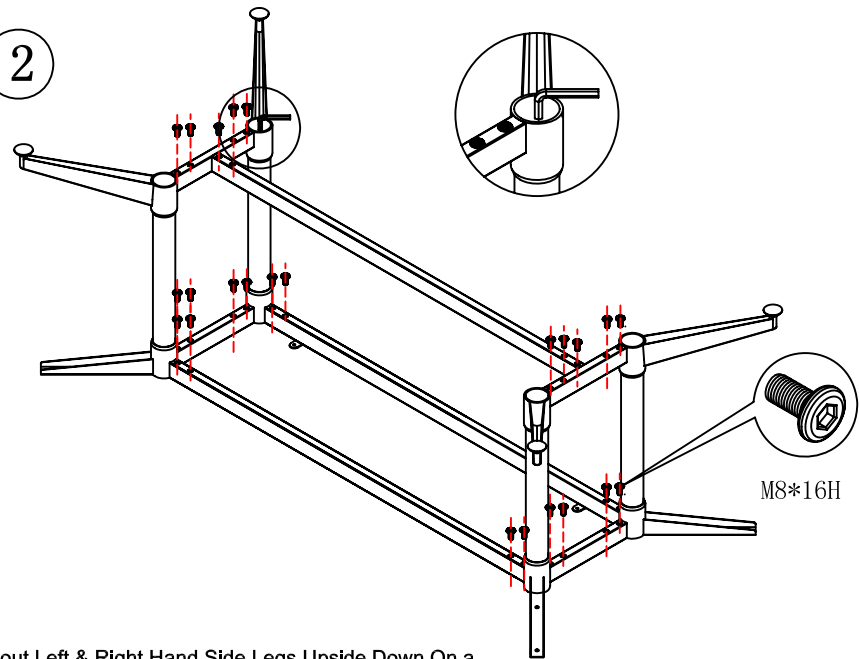
	M8*16H 28pcs
	M5*20H 12pcs
	M12 1pcs
	M6 1pcs
	M6 1pcs
	ø16 1pcs

1



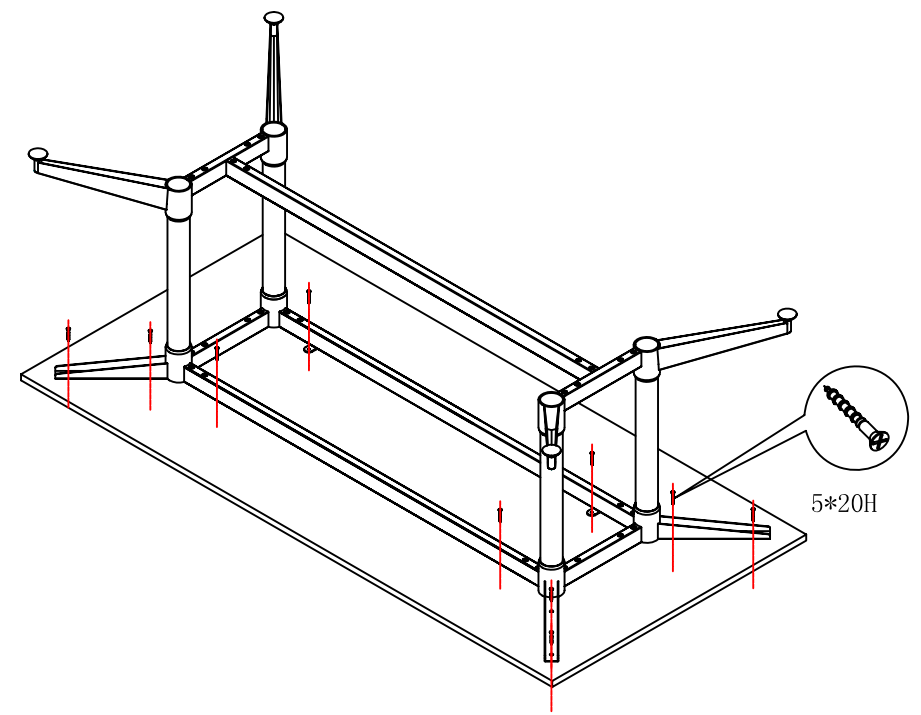
Slide Both The Bottom And Top Cross Bar Into The Left & Right Hand Side End Uprights - Attach Cross Bars With M8 Bolts (Do Not Completely Tighten Bolts)

2



Layout Left & Right Hand Side Legs Upside Down On a Flat Surface. Slide Central Support Beams Into Legs - Attach Support Beams With M8 Bolts (Do Not Completely Tighten Bolts) . Once The Frame Is Sitting Flush On the Flat Surface, Tighten All Bolts Completely.

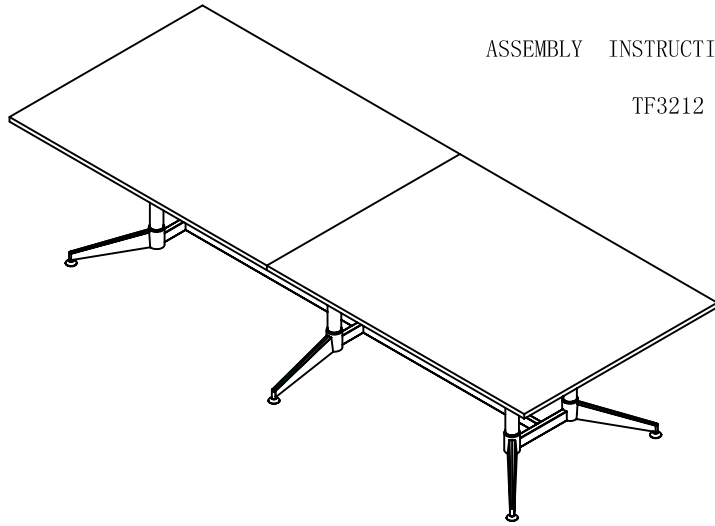
3



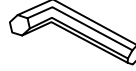
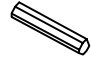
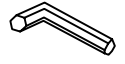



M5*20H

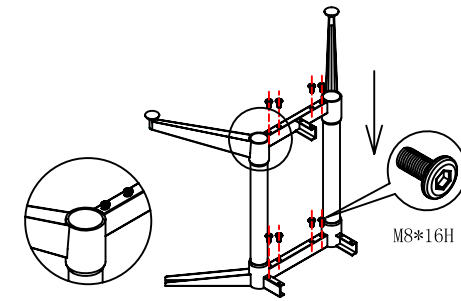
ASSEMBLY INSTRUCTIONS

TF3212



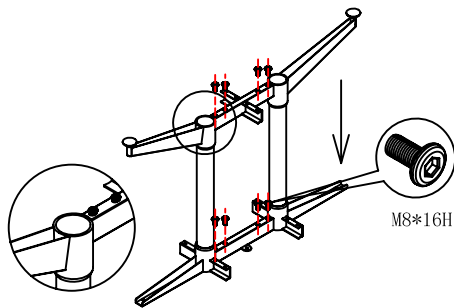
	M8*16H 48pcs
	M5*20H 26pcs
	M12 1pcs
	M6 1pcs
	M6 1pcs
	φ16 1pcs

1



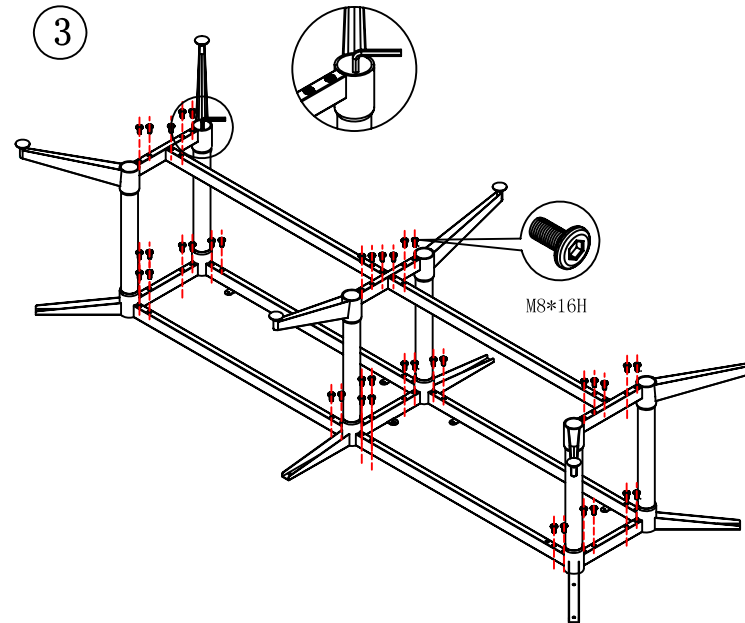
Slide Both The Bottom And Top Cross Bar Into The Left & Right Hand Side End Uprights - Attach Cross Bars With M8 Bolts (Do Not Completely Tighten Bolts)

2



Slide Both The Bottom And Top Cross Bar Into The Central Uprights - Attach Cross Bars With M8 Bolts (Do Not Completely Tighten Bolts)

3



Layout Left, Right and Central Leg Upside Down On a Flat Surface. Slide Central Support Beams Into Legs - Attach Support Beams With M8 Bolts (Do Not Completely Tighten Bolts) . Once The Frame Is Sitting Flush On the Flat Surface, Tighten All Bolts Completely.

4

