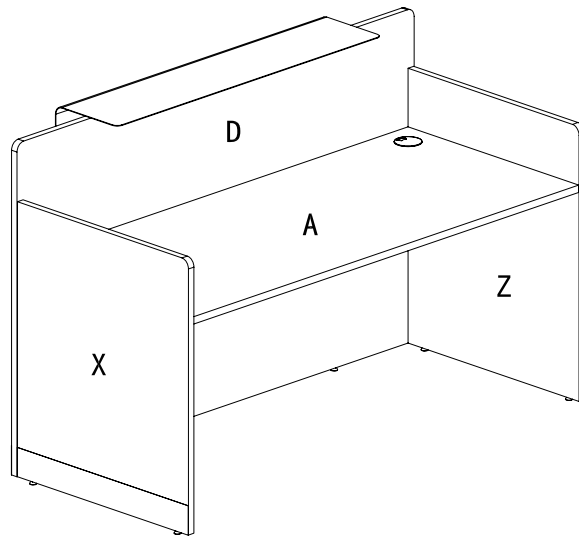
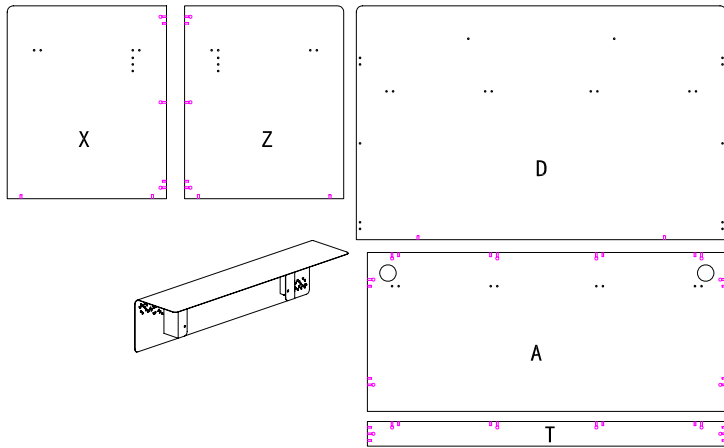


# Assembly Instructions

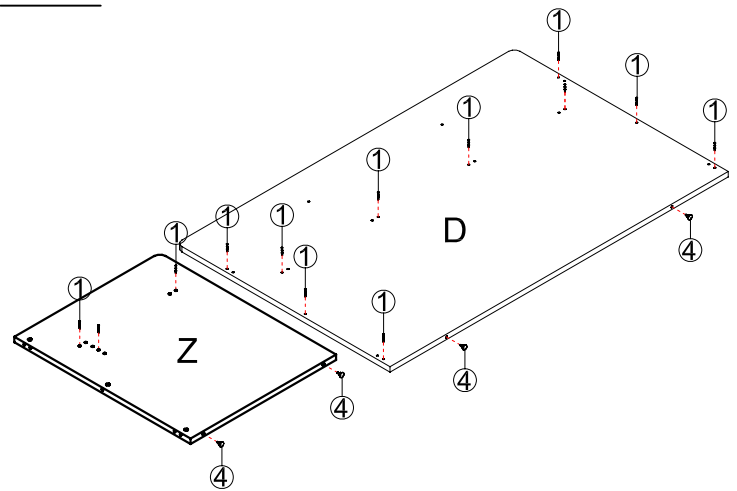
MODEL NO: RC1809



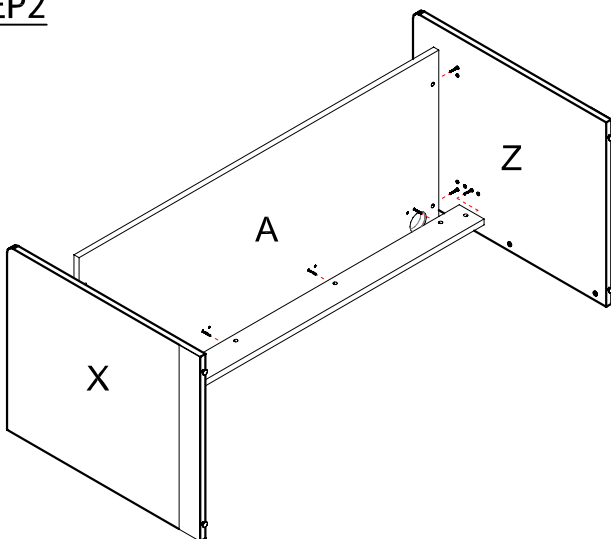
pin	6×35
	1
	20PCS
CAM	
	2
	20PCS
Cam Cover	
	3
	20PCS
ADJ.FEET $\varnothing 24 \times 120$	
	4
	6PCS
The wheel	6×35
	5
	2PCS



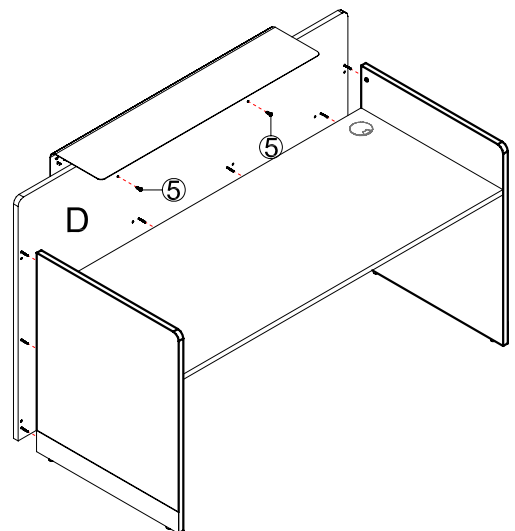
## STEP1



## STEP2



## STEP3



### IMPORTANT NOTE:

- Place all laminated parts on a clean and smooth surface such as a rug or carpet to avoid the parts from being scratched.
- Check to be sure that you have all parts and hardware.
- Remove all wrapping materials, including staples & packing straps before you start to assemble.
- Don't tighten all screws/bolts until all completely assembled.
- Keep all hardware parts out of reach of children

