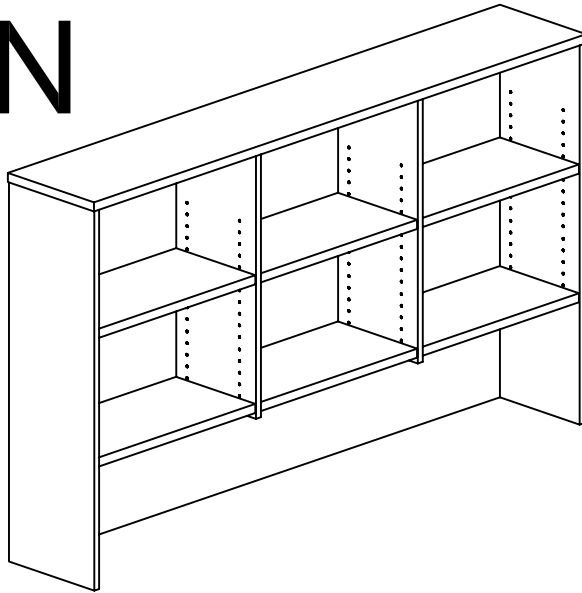


ASSEMBLY INSTRUCTIONS

CH18N



pin 6x35	1	22PCS
CAM	2	22PCS
Cam Cover	3	22PCS
Bot Minifix	4	24PCS
Bracket	5	4PCS
Screw 4x16	6	16PCS

